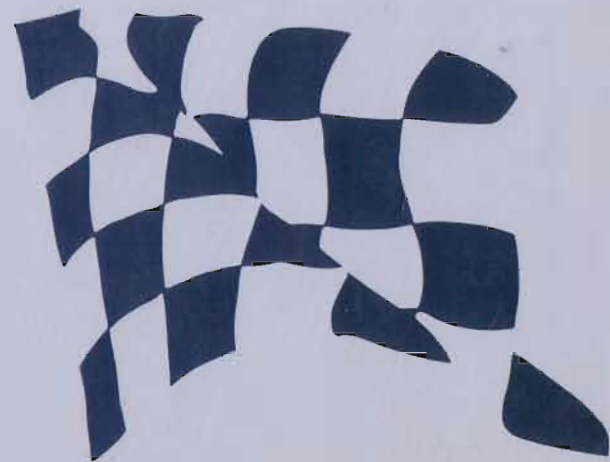




PARTS LIST

'91-RS125R



'90 · '91 RS125R PARTS LIST

CONTENTS

INSTRUCTION FOR USE OF PARTS LIST..... 3

ENGINE GROUP

E- 1 Cylinder · Cylinder head ('90 · '91 RS125R) 4

E- 2 L. crankcase cover · A.C. generator ('90 · '91 RS125R)..... 5

E- 3 R. crankcase cover ('90 · '91 RS125R)..... 6

E- 4 Water pump ('90 · '91 RS125R)..... 7

E- 5 Clutch ('90 · '91 RS125R) 8

E- 6 Crankcase ('90 · '91 RS125R) 9

E- 7 Piston · Crankshaft ('90 · '91 RS125R)..... 11

E- 8 Transmission ('90 · '91 RS125R)..... 12

E- 9 Gear shift drum ('90 · '91 RS125R) 14

E-10 Carburetor ('90 · '91 RS125R) 15

FRAME GROUP

F- 1 Steering handle · Cable ('90 · '91 RS125R) 17

F- 2 Steering stem · Steering damper · Front fender ('90 · '91 RS125R)..... 18

F- 3 Front wheel ('90 · '91 RS125R)..... 19

F- 4 Front caliper · Master cylinder ('90 · '91 RS125R)..... 20

F- 5 Front fork · Rear cushion ('90 RS125R) 21

F- 5-1 Front fork · Rear cushion ('91 RS125R) 23

F- 6 Fuel tank · Seat ('90 · '91 RS125R)..... 25

F- 7 Expansion chamber ('90 · '91 RS125R) 26

F- 8 Rear wheel ('90 · '91 RS125R)..... 27

F- 9 Rear brake · Rear master cylinder ('90 · '91 RS125R)..... 28

F-10 Step · Brake pedal ('90 · '91 RS125R)..... 29

F-11 Change pedal · Rear fork ('90 · '91 RS125R)..... 30

F-12 Ignition coil · Frame body ('90 · '91 RS125R) 32

F-13 Radiator ('90 · '91 RS125R) 33

F-14 Tachometer · Cowling ('90 · '91 RS125R) 34

INDEX..... 35

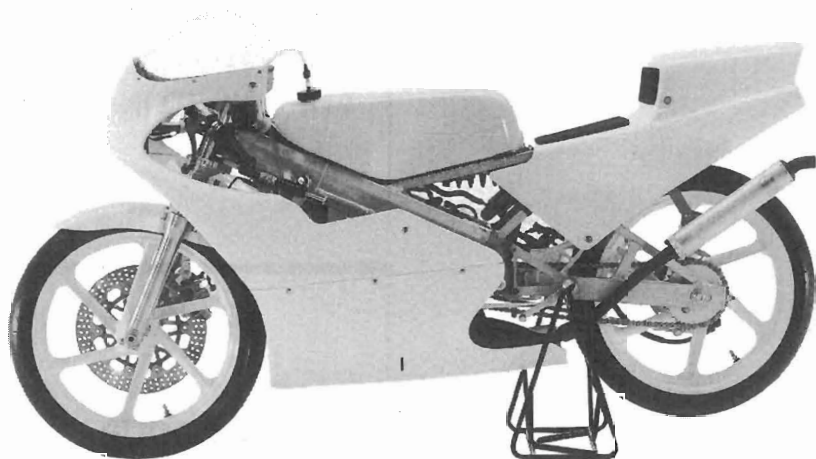
INDEX

FOREWORD INDEX **1**

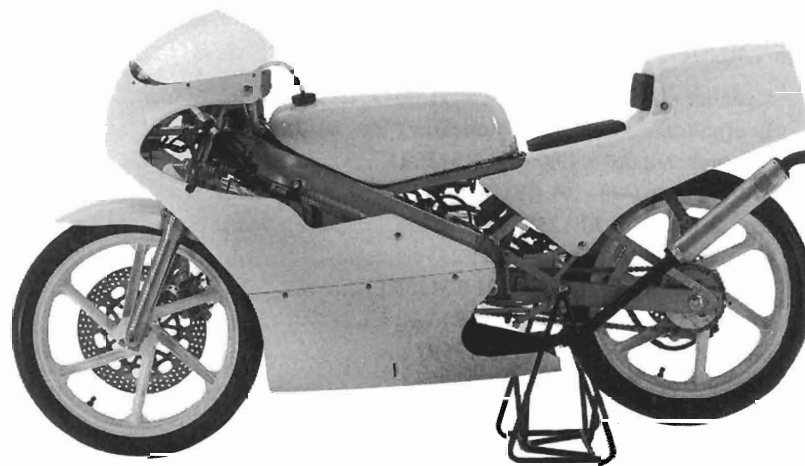
ENGINE GROUP **2**

FRAME GROUP **3**

INDEX **4**



'90 MODEL
(RS125RF-9010001~)
(RS125RE-9010001~)



'91 MODEL
(RS125RF-9110001~)
(RS125RE-9110001~)

HONDA RACING CORPORATION

Head Office/Nobidome 8-18-4, Niiza-shi, Saitama-ken, Japan

TEL.0484-81-2511 TELEX.2962-752 HRC-J TELFAX.0484-77-6361

European Office/Wijngaardveld 1,9300 Aalst, Belgium

TEL.053-78-6131 TELEX.11063 HRCE B TELFAX.053-77-5767

株式会社 **ホンダレーシング**

不許複製

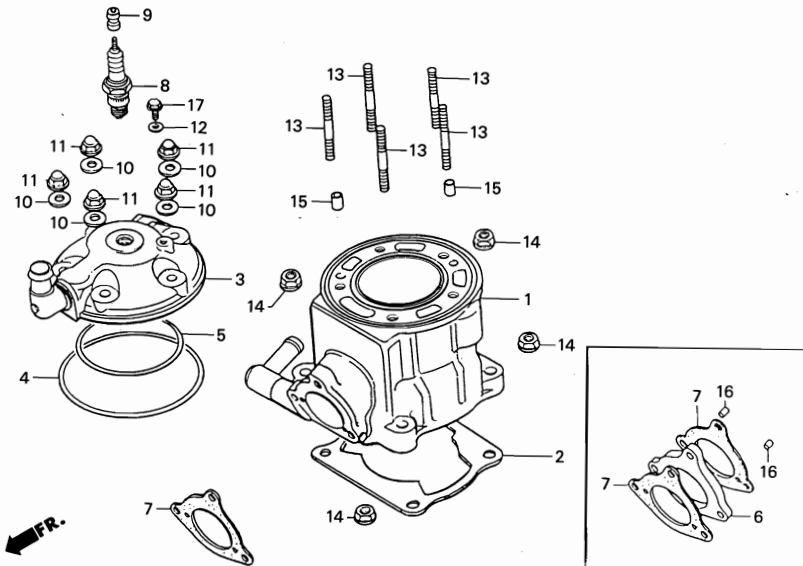
本社/〒352 埼玉県新座市野火止8丁目18番4号

TEL.0484-81-2511 FAX.0484-77-6361

Block No.

E-1

Cylinder • Cylinder head
'90 RS125R
'91 RS125R



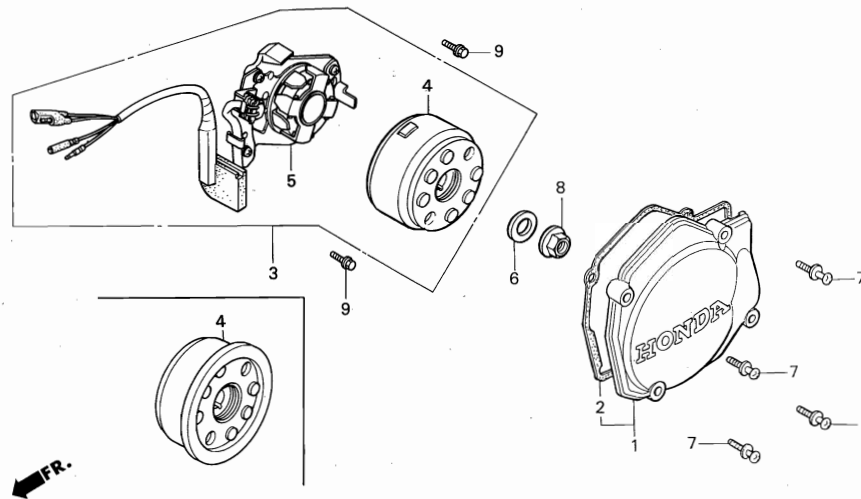
2

Ref. No.	Part No.	Description	Reqd. No.		Remarks	Ref. No.	Part No.	Description	Reqd. No.		Remarks
			'90	'91					'90	'91	
• 1	12100-NF4-770	CYLINDER COMP	1	—		16	94303-04065	PIN, dowel, 4 x 6.5	2	—	
•	12100-NF4-780	CYLINDER COMP	—	1		17	96001-06010-07	BOLT, flange, SH, 6 x 10	1	1	
2	12191-KS6-880	GASKET, cylinder	1	1							
• 3	12200-NF4-760	HEAD COMP., cylinder	1	—							
•	12200-NF4-780	HEAD COMP., cylinder	—	1							
• 4	12212-ND5-003	O-RING, 96 x 2.4	1	1							
• 5	12213-ND5-000	O-RING, 61 x 1.9	1	1							
• 6	18221-NF4-760	SPACER, exhaust joint	1	—							
• 7	18331-NF4-760	GASKET, exhaust joint	2	—							
•	18331-NF4-780	GASKET, exhaust joint	—	1							
• 8	31901-NF4-771	SPARK PLUG 10.5	1	1							
•	31902-NF4-871	SPARK PLUG 11	(1)	(1)							
•	31903-NF4-871	SPARK PLUG 10	(1)	(1)							
• 9	31910-NF4-000	NUT, spark plug	1	(1)							
10	90441-422-000	WASHER, sealing 8 mm	5	5							
11	90443-107-000	NUT, cap, 8 mm	5	5							
12	90543-273-000	PACKING, front fork drain cock	1	1							
13	92900-08032-0E	BOLT, stud 2 8 x 32	5	5							
14	94050-08000	NUT, flange, 8 mm	4	4							
15	94301-06100	PIN, dowel, 6 x 10	2	2							

Block No.

E-2

**L. crankcase cover •
A.C. generator
'90 RS125R
'91 RS125R**



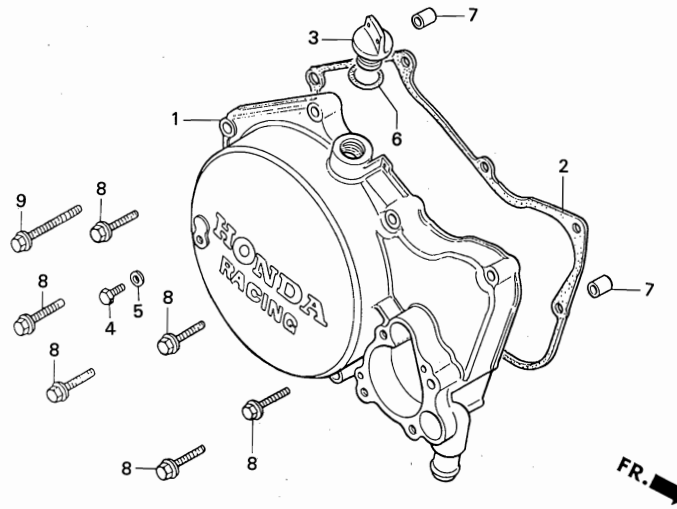
Ref. No.	Part No.	Description	Reqd. No.		Remarks	Ref. No.	Part No.	Description	Reqd. No.		Remarks
			'90	'91					'90	'91	
1	11350-KS6-701	COVER ASSY, L case	1	1							
2	11352-KS6-700	SEAL, L cover	1	1							
• 3	31100-NF4-771	AC. GEN. ASSY.	1	—							
•	31100-NF4-781	AC. GEN. ASSY.	—	1							
• 4	31110-NF4-771	FLYWHEEL COMP	1	—							
•	31110-NF4-781	FLYWHEEL COMP	—	1							
• 5	31120-NF4-771	STATOR COMP	1	1							
6	90437-611-000	WASHER, plain, 12 mm	1	1							
7	93891-06025-07	SCREW WASHER, 6 x 25	4	4							
8	94050-12000	NUT, flange, 12 mm	1	1							
9	96300-06018-00	BOLT, flange, DR 6 x 18	2	2							

2

Block No.

E-3

R. crankcase cover
'90 RS125R
'91 RS125R



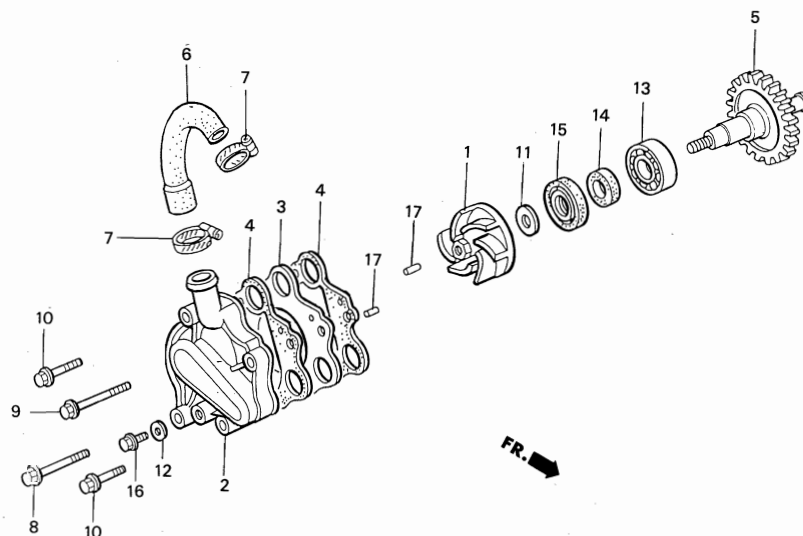
2

Ref. No.	Part No.	Description	Reqd. No.		Remarks	Ref. No.	Part No.	Description	Reqd. No.		Remarks
			'90	'91					'90	'91	
• 1	11340-NF4-750	COVER COMP., R. crank case	1	—							
•	11340-NF4-780	COVER COMP., R. crank case	—	1							
• 2	11394-NF4-760	GASKET R COVER	1	1							
• 3	15611-ND5-000	CAP, oil filler	1	1							
• 4	90134-ND5-000	BOLT, flange, 6 x 10	1	1							
5	90543-273-000	PACKING, front fork drain cock	1	1							
6	91304-MJ0-003	O-RING,	1	1							
7	94301-08140	PIN, dowel, 8 x 14	2	2							
8	96001-06032-07	BOLT, flange, SH, 6 x 32	6	6							
9	96001-06040-07	BOLT, flange, SH, 6 x 40	1	1							

Block No.

E-4

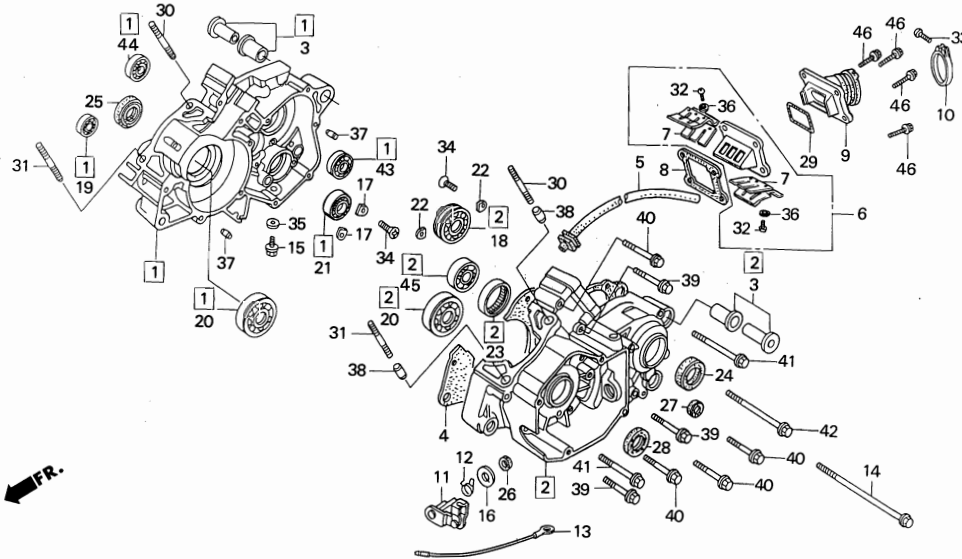
**Water pump
'90 RS125R
'91 RS125R**



Ref. No.	Part No.	Description	Reqd. No. '90	Reqd. No. '91	Remarks	Ref. No.	Part No.	Description	Reqd. No. '90	Reqd. No. '91	Remarks
1	19215-KA3-740	IMPELLER, water pump	1	1							
2	19221-KS6-700	COVER, water pump	1	1							
3	19222-KS6-700	SEPARATER, water pump	1	1							
4	19229-KS6-880	GASKET, water pump	2	2							
5	19240-KS6-700	SHAFT COMP., water pump	1	—							
•	19240-NF4-780	SHAFT COMP., water pump	—	1							
•	6	19501-NF4-000	HOSE, water	1	1						
7	19517-MB6-000	CLAMP B, water hose	—	2							
	19506-KS6-700	CLAMP B, water hose	2	—							
8	90015-KS6-700	BOLT, flange, 6 x 75	1	1							
9	90016-KS6-700	BOLT, flange, 6 x 80	1	1							
10	90016-ML3-680	BOLT, flange, SH 6 x 30	2	2							
11	90447-KE1-000	WASHER, sealing 7 mm	1	1							
12	90543-273-000	PACKING, front fork drain cock	1	1							
13	91007-KA3-740	BRG. BALL, 12 x 24 x 6	1	1							
14	91201-148-003	OIL SEAL, 12 x 22 x 5	1	1							
15	91211-KA3-761	SEAL, water pump	1	1							
16	96001-06010-07	BOLT, flange, SH, 6 x 10	1	1							
17	96220-40080	ROLLER, 4 x 8	2	2							

Block No.

E-6
'90 RS125R
'91 RS125R

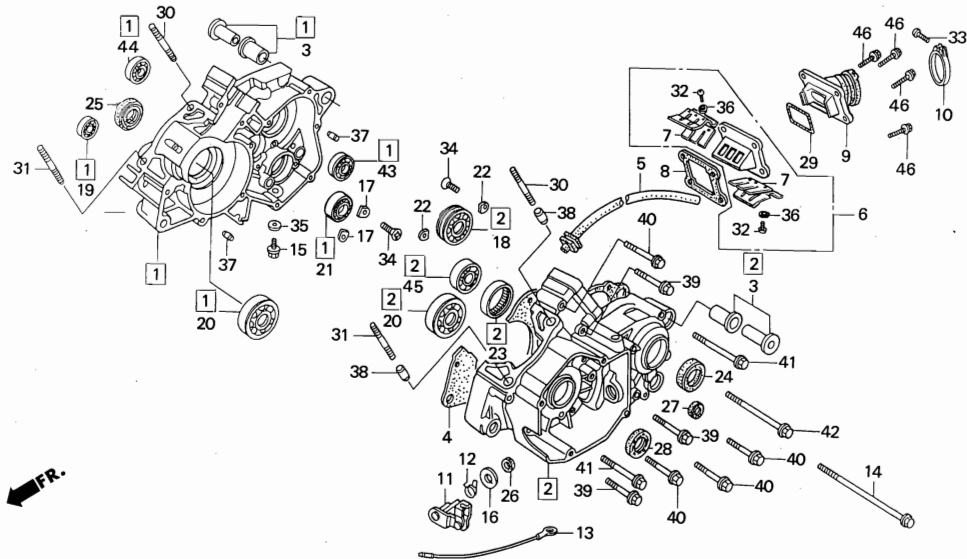


Ref. No.	Part No.	Description	Reqd. No. '90	Reqd. No. '91	Remarks	Ref. No.	Part No.	Description	Reqd. No. '90	Reqd. No. '91	Remarks
• 1	11010-NF4-770	CRANKCASE ASSY., R	1	—		• 15	90081-NC2-000	BOLT, drain, 12 mm	1	1	
•	11010-NF4-780	CRANKCASE ASSY., R	—	1		16	90401-430-000	WASHER, 10.2 mm	1	1	
• 2	11011-NF4-770	CRANKCASE ASSY., L	1	—		17	90441-KS6-700	PLATE, bearing hold	2	2	
•	11011-NF4-780	CRANKCASE ASSY., L	—	1		18	91001-KA3-711	BRG. ball, 6204	1	1	
• 3	11012-NF4-750	BUSH SET, rear engine mount	2	2		19	91002-KA4-003	BRG., ball, 7 x 19 x 6	1	1	
• 4	11191-KS6-880	GASKET, crankcase	1	1		20	91002-466-008	BRG., ball, radial, 63/22	2	2	
• 5	11211-GC4-701	TUBE, breather	1	1		21	91004-430-003	BRG., ball, radia, 6905Z	1	1	
• 6	14100-NF4-771	REED VALVE ASSY.,	1	—		22	91012-KA3-710	PLATE, countershaft bearing	2	2	
•	14100-NF4-780	REED VALVE ASSY.,	—	1		23	91022-KA4-740	BRG., shell, 33 x 38 x 8	1	1	
• 7	14111-NF4-760	REED VALVE ONLY	2	—		24	91201-KS6-004	OIL-SEAL, 26 x 37 x 7	1	1	
•	14111-NF4-780	REED VALVE ONLY	—	2		• 25	91201-NF4-781	OIL-SEAL, 30 x 45 x 9	—	1	
• 8	14132-KS6-880	GASKET, reed valve B	1	—			91203-KS6-004	OIL-SEAL, 30 x 45 x 8	1	—	
•	14132-NF4-780	GASKET, reed valve	—	1		26	91202-KA3-712	OIL-SEAL, 10 x 17 x 4	1	1	
• 9	16220-NF4-770	INSULATOR, carburetor	1	—		27	91203-KK3-830	OIL-SEAL, 14 x 22 x 5	1	1	
•	16220-NF4-780	INSULATOR, carburetor	—	1		28	91205-166-004	OIL-SEAL, 20 x 32 x 7	1	1	
• 10	16223-KA3-740	BAND, insulator	1	—		29	91301-KS6-003	O-RING, special	1	1	
	16223-KA5-690	BAND, insulator	—	1		30	92900-08035-3E	BOLT, stud, (II), 8 x 35	2	2	
• 11	22810-KS6-700	LIFTER COMP., clutch	1	1		31	92900-08040-3E	BOLT, stud, (II), 8 x 40	2	2	
• 12	22815-KS6-700	SPRING, clutch lever	1	1		32	93500-03006-0H	SCREW, pan, 3 x 6	—	6	
• 13	32110-NF4-000	SUB CORD, engine	1	1							
• 14	90001-NF4-760	BOLT, flange, SH, 6 x 100	1	1							

Block No.

E-6

**Crankcase
'90 RS125R
'91 RS125R**



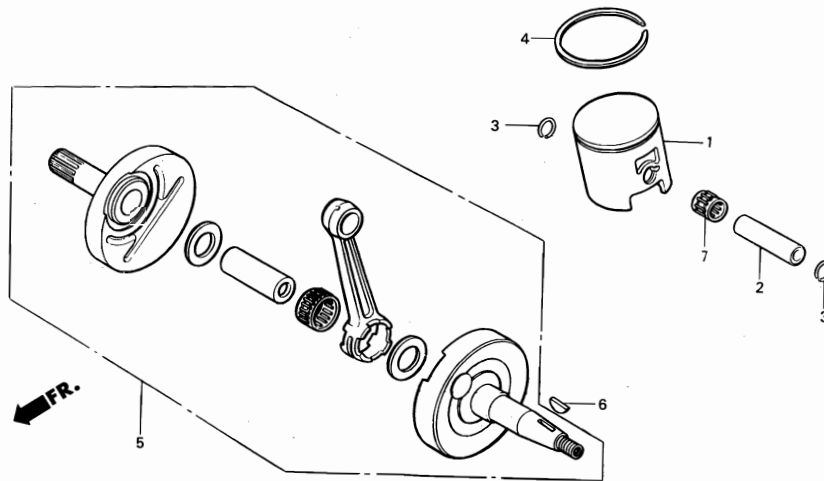
2

Ref. No.	Part No.	Description	Reqd. No. '90	Reqd. No. '91	Remarks	Ref. No.	Part No.	Description	Reqd. No. '90	Reqd. No. '91	Remarks
	93500-03008-0H	SCREW, pan, 3 x 8	6	—							
33	93500-05028-0A	SCREW, pan, 5 x 28	1	1							
34	93600-06012-0A	SCREW, flat, 6 x 12	4	4							
35	94109-12000	WASHER, plug, drain, 12 mm	1	1							
36	94111-03800	WASHER, spring, 3 mm	6	6							
37	94301-08140	PIN, dowel, 8 x 14	2	2							
38	94301-10160	PIN, dowel, 10 x 16	2	2							
39	96001-06045-07	BOLT, flange, SH, 6 x 45	3	3							
40	96001-06050-07	BOLT, flange, SH, 6 x 50	4	4							
41	96001-06075-07	BOLT, flange, SH, 6 x 75	2	2							
42	96001-06085-07	BOLT, flange, SH, 6 x 85	1	1							
43	96100-60030-00	BEARING, ball, radial, 6003	1	1							
44	96100-60040-00	BEARING, ball, radial, 6004	1	1							
45	96140-60030-00	BEARING, ball, radial, 6003U	1	1							
46	96300-06022-00	BOLT, flange, DR, 6 x 22	4	4							

Block No.

E-7

Piston • Crankshaft
 '90 RS125R
 '91 RS125R



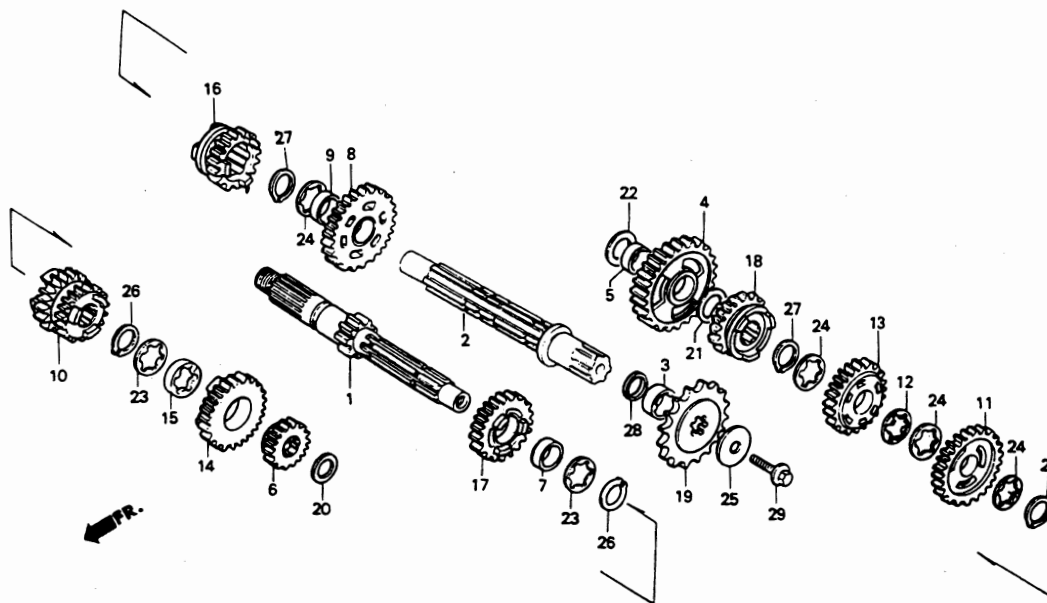
2

Ref. No.	Part No.	Description	Reqd. No.		Remarks	Ref. No.	Part No.	Description	Reqd. No.		Remarks
			'90	'91					'90	'91	
• 1	13100-NF4-770	PISTON COMP.	1	—							
•	13100-NF4-780	PISTON COMP.	—	1							
• 2	13111-NH3-000	PIN, piston	1	—							
•	13111-NF4-780	PIN, piston	—	1							
3	13112-ML0-720	CLIP, piston, pin	2	2							
• 4	13121-NF4-751	RING, piston	1	1							
• 5	13300-NF4-770	SHAFT COMP., crank	1	—							
•	13300-NF4-780	SHAFT COMP., crank	—	1							
6	13331-360-000	KEY, special woodruff, 25 x 14	1	1							
• 7	91008-NF5-761	BRG., conn-rod, small end	1	1							

Block No.

E-8

Transmission
'90 RS125R
'91 RS125R



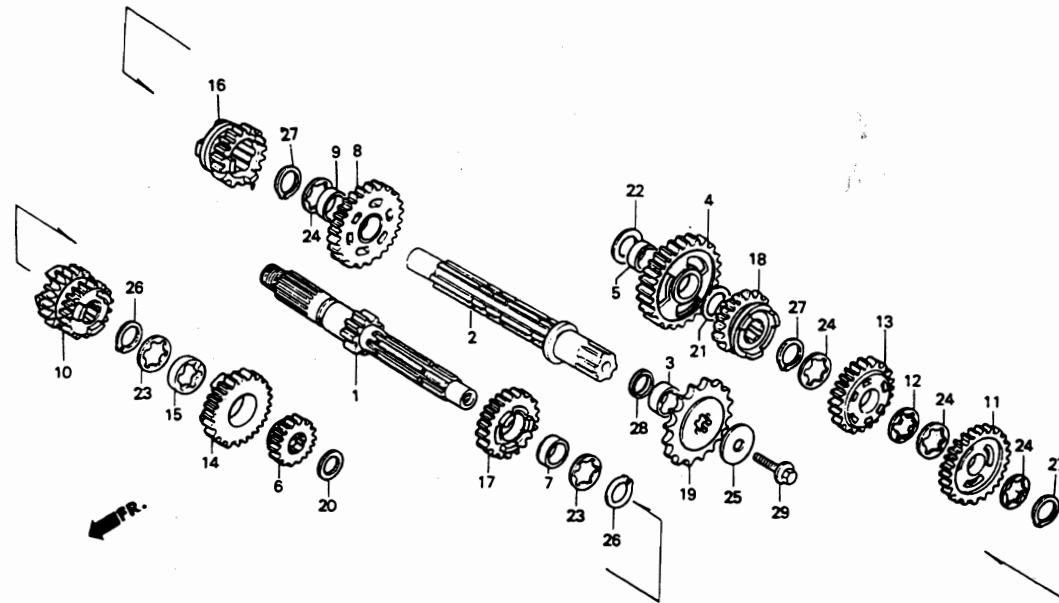
2

Ref. No.	Part No.	Description	Reqd. No. '90 '91	Remarks	Ref. No.	Part No.	Description	Reqd. No. '90 '91	Remarks
• 1	23210-NF4-760	SHAFT COMP., main, (17T)	1 1		•	23431-NF4-780	GEAR, C-2nd, (33T)	— 1	
•	23210-NF4-850	SHAFT COMP., main, P-2, (16T)	(1) (1)		•	23431-NF4-850	GEAR, C-2nd, P-3, (32T)	(1) —	
•	23210-NF4-860	SHAFT COMP., main, P-3, (18T)	(1) (1)		•	23431-NF4-870	GEAR, C-2nd, P-2, (30T)	— (1)	
•	23210-NF4-880	SHAFT COMP., main, P-4, (19T)	(1) (1)		•	23431-NF4-880	GEAR, C-2nd, P-3, (32T)	— (1)	
• 2	23221-NF4-760	SHAFT, counter	1 1		•	23431-NF4-910	GEAR, C-2nd, P-2, (30T)	(1) —	
• 3	23225-ND4-000	COLLAR, counter shaft	1 1		• 9	23432-NF4-750	COLLAR, 22 x 25 x 9	1 1	
• 4	23411-NF4-750	GEAR, C-low, (31T)	1 —		• 10	23441-NF4-000	GEAR, M-3rd/4th, (24T/26T)	1 —	
•	23411-NF4-780	GEAR, C-low, (31T)	— 1		•	23441-NF4-780	GEAR, M-3rd/4th, (24T/26T)	— 1	
•	23411-NF4-850	GEAR, C-low, P-3, (30T)	(1) —		•	23441-NF4-850	GEAR, M-3rd(P-2)/4th, (21T/26T) ..	(1) (1)	
•	23411-NF4-860	GEAR, C-low, P-2, (32T)	— (1)		•	23442-NF4-850	GEAR, M-3rd(P-3)/4th, (22T/26T) ..	(1) (1)	
•	23411-NF4-870	GEAR, C-low, P-3, (30T)	— (1)		•	23443-NF4-850	GEAR, M-3rd/4th(P-2), (24T/25T) ..	(1) (1)	
•	23411-NF4-880	GEAR, C-low, P-4, (36T)	(1) (1)		•	23444-NF4-850	GEAR, M-3rd, P-2/4th, P-2, (21T/25T) ...	(1) (1)	
•	23411-NF4-910	GEAR, C-low, P-2, (32T)	(1) —		•	23445-NF4-850	GEAR, M-3rd, P-3/4th, P-2, (20T/25T) ...	(1) (1)	
• 5	23412-NF4-750	COLLAR, 17 x 20 x 9	1 1		•	23446-NF4-850	GEAR, M-3rd/4th(P-3), (24T/23T)	(1) (1)	
• 6	23421-NF4-000	GEAR, M-2nd, (22T)	1 —		•	23447-NF4-850	GEAR, M-3rd, P-2/4th, P-3, (21T/23T) ...	(1) (1)	
•	23421-NF4-780	GEAR, M-2nd, (22T)	— 1		•	23448-NF4-850	GEAR, M-3rd, P-3/4th, P-3, (22T/23T) ...	(1) (1)	
•	23421-NF4-810	GEAR, M-2nd, P-2, (19T)	(1) —		• 11	23451-NF4-010	GEAR, C-3rd, (31T)	1 —	
•	23421-NF4-850	GEAR, M-2nd, P-3, (23T)	(1) —		•	23451-NF4-780	GEAR, C-3rd, (31T)	— 1	
•	23421-NF4-870	GEAR, M-2nd, P-2, (19T)	— (1)		•	23451-NF4-850	GEAR, C-3rd, P-2, (28T)	(1) (1)	
•	23421-NF4-880	GEAR, M-2nd, P-3, (23T)	— (1)		•	23451-NF4-860	GEAR, C-3rd, P-3, (27T)	(1) (1)	
• 7	23422-GB4-770	BUSH, 20 x 9	1 1		• 12	23456-KA3-000	WASHER, lock	1 1	
• 8	23431-NF4-750	GEAR, C-2nd, (33T)	1 —		• 13	23461-NF4-000	GEAR, C-4th, (30T)	1 —	

Block No.

E-8

Transmission '90 RS125R '91 RS125R

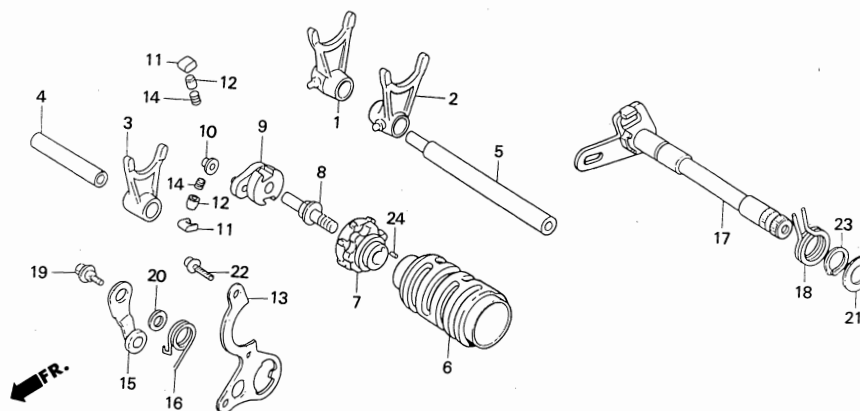


Ref. No.	Part No.	Description	Reqd. No. '90	Reqd. No. '91	Remarks	Ref. No.	Part No.	Description	Reqd. No. '90	Reqd. No. '91	Remarks
•	23461-NF4-780	GEAR, C-4th, (30T)	—	1		21	90452-115-000	WASHER, 17 mm	1	1	
•	23461-NF4-850	GEAR, C-4th, P-2, (30T)	(1)	—		22	90452-178-000	WASHER, thrust, 17 mm	1	1	
•	23461-NF4-860	GEAR, C-4th, P-3, (26T)	(1)	—		23	90461-444-000	WASHER, spline, 20 mm	2	2	
•	23461-NF4-870	GEAR, C-4th, P-2, (30T)	—	(1)		24	90464-444-000	WASHER, spline, 22 mm	4	4	
•	23461-NF4-880	GEAR, C-4th, P-3, (26T)	—	(1)		25	90501-KA3-741	WASHER, spring, 8 x 40	1	1	
• 14	23471-NF4-760	GEAR, M-5th, (27T)	1	1		26	90601-360-000	SET RING, 20 mm	2	2	
•	23471-NF4-850	GEAR, M-5th, P-3, (24T)	(1)	(1)		27	90602-360-000	SET RING, 22 mm	3	3	
•	23471-NF4-860	GEAR, M-5th, P-2, (26T)	(1)	(1)		28	91351-KA3-711	O-RING, 20 mm	1	1	
• 15	23472-ND4-000	COLLAR, M-5th gear	1	1		29	96300-08020-07	BOLT, flange, DR, 8 x 20	1	1	
• 16	23481-NF4-760	GEAR, C-5th, (29T)	1	1							
•	23481-NF4-850	GEAR, C-5th, P-3, (25T)	(1)	(1)							
•	23481-NF4-860	GEAR, C-5th, P-2, (29T)	(1)	(1)							
• 17	23491-NF4-000	GEAR, M-6th, (24T)	1	—							
•	23491-NF4-780	GEAR, M-6th, (24T)	—	1							
•	23491-NF4-850	GEAR, M-6th, P-3, (28T)	(1)	(1)							
• 18	23501-NF4-000	GEAR, C-6th, (24T)	1	—							
•	23501-NF4-780	GEAR, C-6th, (24T)	—	1							
•	23501-NF4-850	GEAR, C-6th, P-3, (27T)	(1)	(1)							
• 19	23802-NF4-910	SPROCKET, drive (15T)	(1)	(1)							
•	23803-NF4-750	SPROCKET, drive (16T)	(1)	(1)							
•	23804-NF4-910	SPROCKET, drive (17T)	1	1							
20	90446-357-000	WASHER, thrust, 17.2 mm	1	1							

Block No.

E-9

Gear shift drum '90 RS125R '91 RS125R

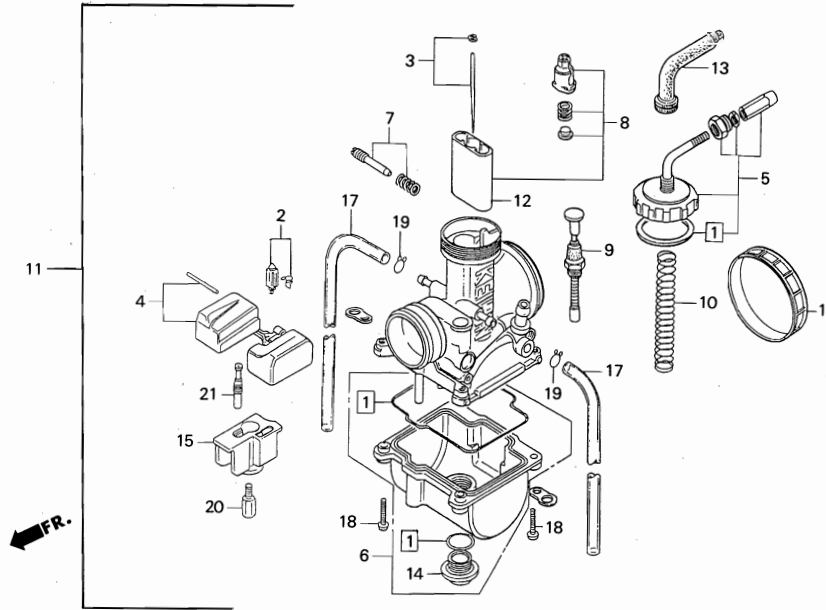


2

Ref. No.	Part No.	Description	Reqd. No. '90	Reqd. No. '91	Remarks	Ref. No.	Part No.	Description	Reqd. No. '90	Reqd. No. '91	Remarks
• 1	24211-NF4-770	FORK, R, gear shift	1	1		21	90428-958-000	WASHER, thrust 14 mm (B)	1	1	
• 2	24221-NF4-770	FORK, L, gear shift	1	1		22	93300-06016-0A	BOLT, hex., 6 x 16	3	3	
• 3	24231-NF4-770	FORK, C, gear shift	1	1		23	94510-14000	CIRCLIP, external, 14 mm	1	1	
4	24265-KA3-760	SHAFT, shift fork (M)	1	1		24	96220-40080	ROLLER, 4 x 8	1	1	
5	24266-KA3-760	SHAFT, shift fork (C)	1	1							
• 6	24311-NF4-760	DRUM, gear shift	1	1							
7	24312-KA3-741	CENTER, shift drum	1	1							
8	24315-HA0-000	PIN, shifter	1	1							
9	24320-KS6-700	SHIFTER COMP., drum	1	1							
10	24322-HA0-000	COLLAR, shifter	1	1							
11	24324-KA3-740	PAWL, ratchet	2	2							
12	24326-360-000	PLUNGER, pawl	2	2							
13	24328-KS6-700	PLATE., guide	1	1							
14	24329-KA3-740	SPRING, pawl plunger	2	2							
15	24430-KA3-740	STOPPER COMP., drum	1	1							
• 16	24435-NF4-760	SPRING, drum stopper	1	1							
17	24610-KS6-700	SPINDLE COMP., shift	1	1							
18	24651-KV3-000	SPRING, shift return	1	1							
19	90022-MG8-000	PIVOT, shift drum stopper arm	1	1							
20	90435-HB3-000	WASHER, 6.1 mm	1	1							

Block No.

E-10
Carburetor
'90 RS125R
'91 RS125R



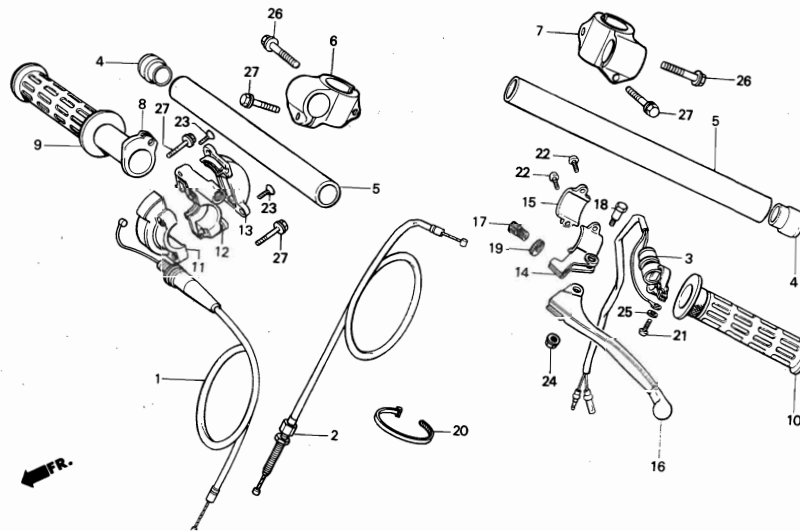
Ref. No.	Part No.	Description	Reqd. No. '90	Reqd. No. '91	Remarks	Ref. No.	Part No.	Description	Reqd. No. '90	Reqd. No. '91	Remarks
1	16010-KA3-004	GASKET SET	1	—		7	16016-HA2-004	SCREW SET, A	—	1	
	16010-KA5-691	GASKET SET	—	1		•	16016-NF4-003	SCREW SET, A	1	—	
2	16011-KA3-741	VALVE SET, float	1	1		•	16022-ND5-751	VALVE SET, throttle, #6.0	1	—	
•	3	16012-NF4-760	NEEDLE SET, jet (Q1367NS)	1	—	•	16022-ND5-761	VALVE SET, throttle, #5.0	—	1	
•	16201-NF4-760	NEEDLE SET, jet (Q1364NS)	(1)	—		•	16046-ND4-751	VALVE SET, starter	1	—	
•	16202-NF4-760	NEEDLE SET, jet (Q1365NS)	(1)	—		•	16046-NF5-751	VALVE SET, starter	—	1	
•	16203-NF4-760	NEEDLE SET, jet (Q1366NS)	(1)	—		10	16050-KA4-771	SPRING, compression coil	1	—	
•	16204-NF4-760	NEEDLE SET, jet (Q1368NS)	(1)	—		•	16050-NF5-710	SPRING, compression coil	—	1	
•	16205-NF4-760	NEEDLE SET, jet (Q1369NS)	(1)	—		•	11	16100-NF4-761	CARBURETOR ASSY.	1	—
•	16206-NF4-760	NEEDLE SET, jet (Q1370NS)	(1)	—		•	16100-NF4-780	CARBURETOR ASSY.	—	1	
•	16207-NF4-760	NEEDLE SET, jet (Q1371NS)	(1)	—		•	12	16111-ND5-751	VALVE, throttle, #5.5	(1)	—
•	16012-NF4-780	NEEDLE SET, jet (R1469JS)	—	1		•	16112-NF5-710	VALVE, throttle, #4.5	—	(1)	
•	16201-NF4-780	NEEDLE SET, jet (R1466JS)	—	(1)		•	16113-NF5-710	VALVE, throttle, #5.5	—	(1)	
•	16202-NF4-780	NEEDLE SET, jet (R1467JS)	—	(1)		•	16120-ND5-751	VALVE, throttle, #6.5	(1)	—	
•	16203-NF4-780	NEEDLE SET, jet (R1468JS)	—	(1)		•	16121-ND5-751	VALVE, throttle, #5.0	(1)	—	
•	16204-NF4-780	NEEDLE SET, jet (R1470JS)	—	(1)		13	16118-121-014	CAP, cable sealing	2	—	
•	16205-NF4-780	NEEDLE SET, jet (R1471JS)	—	(1)			16118-166-004	CAP, cable sealing	—	1	
•	16206-NF4-780	NEEDLE SET, jet (R1472JS)	—	(1)		•	14	16162-ND4-751	DRAIN BOLT	1	1
4	16013-KA3-741	FLOAT SET	1	1		15	16185-KA3-761	PLATE, buffer	1	1	
•	5	16014-NF4-003	TOP SET	1	—	•	16	16196-ND5-751	CAP, rubber	1	—
•	16014-NF4-781	TOP SET	—	1		•	16196-ND5-761	CAP, rubber	—	1	
•	6	16015-NF4-003	CHAMBER SET, float	1	1						

2

Block No.

F-1

Steering handle • Cable
'90 RS125R
'91 RS125R

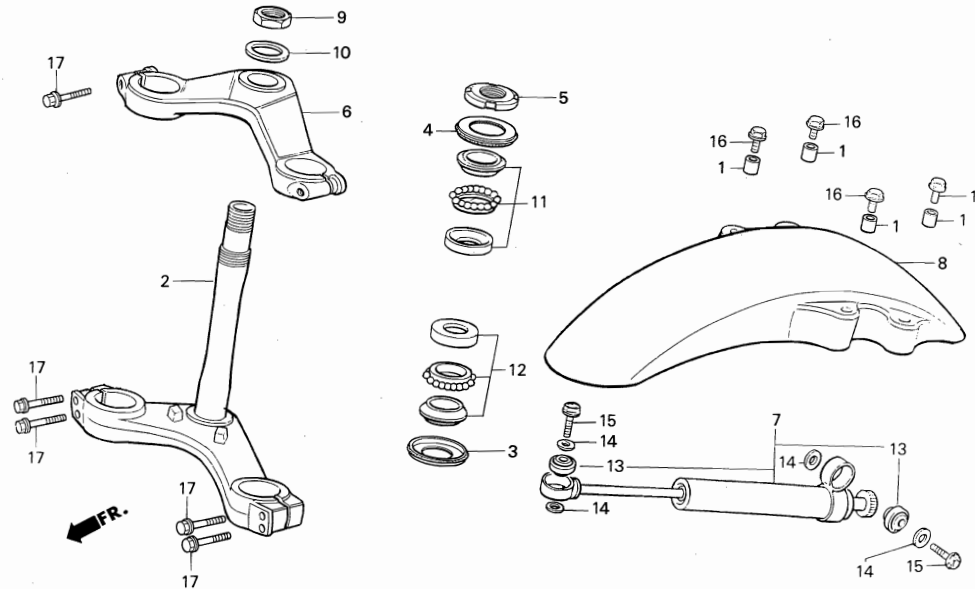


Ref. No.	Part No.	Description	Reqd. No. '90 '91	Remarks	Ref. No.	Part No.	Description	Reqd. No. '90 '91	Remarks
• 1	17910-NF4-000	CABLE COMP., throttle	1	—	• 20	90651-NC8-000	TY-LAP 3.6 x 281	1	1
• 2	22870-NF4-000	CABLE COMP., clutch	1	1	21	93500-04012-1A	SCREW, pan, 4 x 12	1	1
• 3	35130-NF4-000	SWITCH ASSY., kill	1	1	22	93500-05016-0A	SCREW, pan, 5 x 16	2	2
• 4	53105-NF4-770	CAP, handle pipe	2	2	23	93700-04010-0G	SCREW, ovel, 4 x 10	2	2
• 5	53111-NF4-770	PIPE, handle	2	2	24	94050-06000	NUT, flange, 6 mm	1	1
• 6	53112-NF4-770	HOLDER, R handle	1	1	25	94111-04000	WASHER, spring, 4 mm	1	1
• 7	53122-NF4-770	HOLDER, L handle	1	1	26	95801-08035-00	BOLT, flange, 8 x 35	2	2
• 8	53141-NF4-003	PIPE, throttle grip	1	1	27	96001-06022-00	BOLT, flange, SH, 6 x 22	4	4
9	53165-422-000	GRIP, R handle	1	1					
10	53166-422-000	GRIP, L handle	1	1					
11	53167-KS6-000	HOUSING A, grip	1	1					
12	53168-KS6-000	HOUSING B, grip	1	1					
13	53169-KZ4-000	COVER, housing B	1	1					
14	53172-430-003	BRACKET., L. handle lever	1	1					
15	53173-376-000	HOLDER, lever bracket	1	1					
16	53178-399-700	LEVER, L. steering handle	1	1					
17	53192-KA3-700	BOLT, wire adjust	1	1					
18	90114-310-000	BOLT, handle lever pivot	1	1					
19	90321-KF0-000	NUT, fixing	1	1					

Block No.

F-2

Steering stem • Steering damper • Front fender
'90 RS125R
'91 RS125R



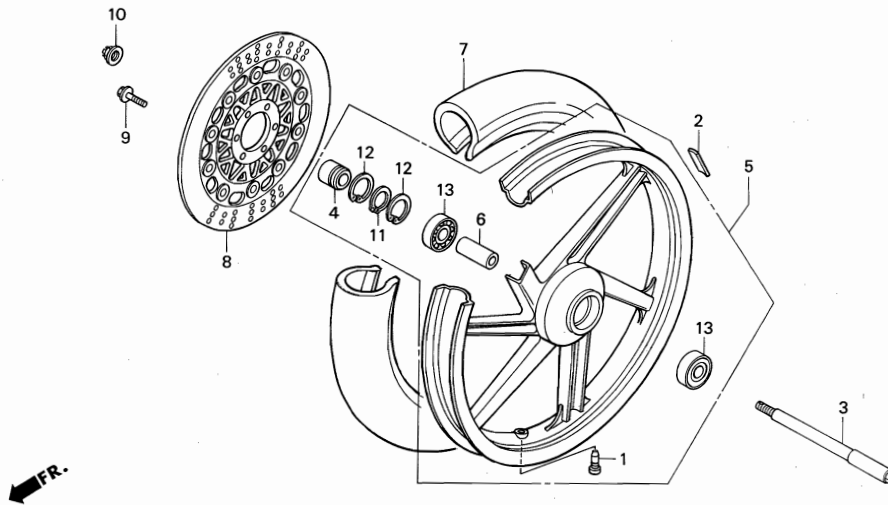
Ref. No.	Part No.	Description	Reqd. No.		Remarks	Ref. No.	Part No.	Description	Reqd. No.		Remarks
			'90	'91					'90	'91	
• 1	30407-MF2-000	COLLAR, ignition coil	4	4							
• 2	53200-NF4-770	STEM COMP., steering, 35	1	1							
• 3	53200-NF4-870	STEM COMP., steering, 40	(1)	(1)							
• 3	53214-371-010	DUST-SEAL, steering head	1	1							
• 4	53214-430-003	DUST-SEAL, steering head	1	1							
• 5	53229-KN5-650	THREAD, steering(head top)	1	1							
• 6	53230-NF4-770	BRIDGE, fork top, 35	1	1							
• 6	53230-NF4-870	BRIDGE, fork top, 40	(1)	(1)							
• 7	53700-NF4-771	DAMPER ASSY., steering	1	1							
• 8	61100-NF4-770	FENDER COMP., front	1	1							
• 9	90304-KA3-710	NUT, steering stem	1	1							
• 10	90503-428-870	WASHER, steering stem	1	1							
• 11	91053-ND9-000	BEARING, head pipe up	1	1							
• 12	91054-ND6-700	BEARING, had pipe lower	1	1							
• 13	91060-NL0-000	BEARING, spherical, 8 mm	2	2							
• 14	94102-08000	WASHER, plain, 8 mm	4	4							
• 15	95301-08032-00	BOLT, HEX, 8 x 32	2	2							
• 16	96001-06028-00	BOLT, flange, SH, 6 x 28	4	4							
• 17	95801-08035-00	BOLT, flange, 8 x 35	6	6							

3

Block No.

F-3

**Front wheel
'90 RS125R
'91 RS125R**



Ref. No.	Part No.	Description	Reqd. No. '90	Reqd. No. '91	Remarks	Ref. No.	Part No.	Description	Reqd. No. '90	Reqd. No. '91	Remarks
• 1	42704-NF5-710	VALVE, WHEEL	1	1							
• 2	42720-NC8-000	WEIGHT, balancer, 10G	N	N							
•	42721-NC8-000	WEIGHT, balancer, 20G	N	N							
• 3	44301-NF4-770	AXLE, front wheel	1	1							
• 4	44303-NF4-000	COLLAR, front wheel side	1	1							
• 5	44600-NF4-770	WHEEL SET, front, 2.15 x 17	1	—							
•	44600-NF4-780	WHEEL SET, front, 2.15 x 17	—	1							
• 6	44620-NF4-000	COLLAR, front axle distance	1	1							
• 7	44711-NF4-783	TIRE, front 85/570-17 (YOKOHAMA)	—	1	JAPANESE SPEC. (NO SALE)						
•	44711-NF4-771	TIRE, front, 2.65 x 3.25-17 (DUNLOP)	1	1	EXPORT SPEC. ('91) (NO SALE)						
• 8	45120-NF4-771	DISK COMP., R. front	1	1							
•	45120-NF4-871	DISK COMP., R. front	(1)	(1)							
• 9	90113-ND5-761	BOLT, flange, 6 x 20	6	6							
10	90305-GE8-003	NUT, U, 14 mm	1	1							
• 11	90651-NF4-000	CIRCLIP, external, 26	1	1							
• 12	90652-NF4-000	CIRCLIP, internal, 35	2	2							
13	96140-62020-10	BEARING, radial ball, 6202	2	2							

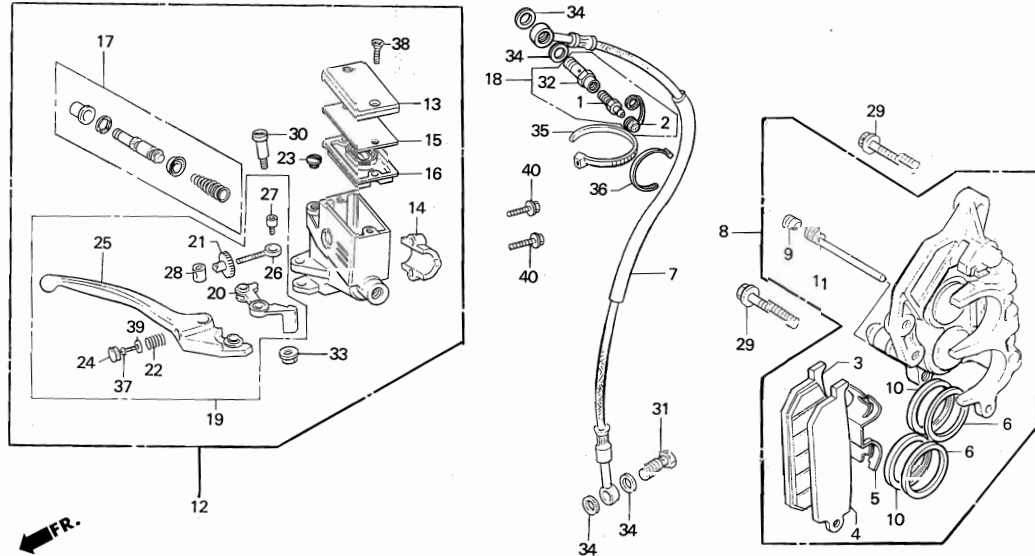
Block No.

F-4

Front caliper • Master cylinder '90 RS125R '91 RS125R

MEMO

- Brake fluid: DOT 4

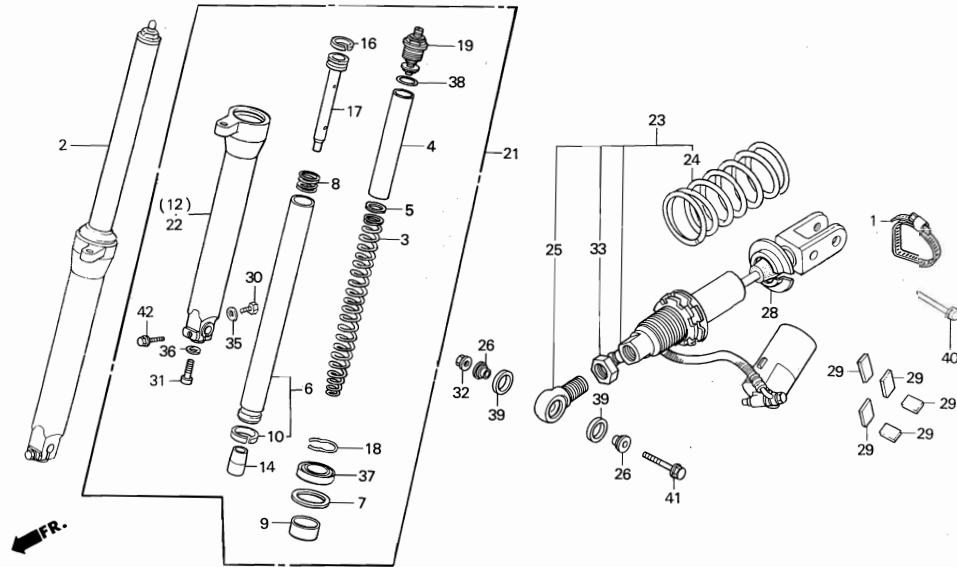


Ref. No.	Part No.	Description	Reqd. No.		Remarks	Ref. No.	Part No.	Description	Reqd. No.		Remarks
			'90	'91					'90	'91	
1	43352-568-003	SCREW, bleeder	1	1		21	53172-MJ4-006	ADJUSTER, handle lever, R.	1	1	
2	43353-461-771	CAP, bleeder	1	1		22	53173-MJ4-006	SPRING, handle lever	1	1	
• 3	45105-NF4-770	PAD COMP., A front	1	1		23	53174-463-770	PLUG, handle lever bracket	1	1	
• 4	45106-NF4-770	PAD COMP., B front	1	1		24	53174-MJ4-006	CAP, handle lever	1	1	
5	45108-ML7-921	SPRING, pad	1	1		25	53175-MJ4-006	LEVER, handle, R	1	1	
6	45109-GE2-006	DUST-SEAL	2	2		26	53176-MJ4-016	BOLT, adjust	1	1	
• 7	45125-NF4-771	HOSE, front brake	1	1		27	53177-KV0-006	BOLT, lever socket, 5 x 5	1	1	
• 8	45200-NF4-770	CALIPER ASSY., R. front	1	1		28	53179-MJ4-016	JOINT, lever	1	1	
9	45203-MG3-016	PLUG, pin	1	1		• 29	90108-NF4-000	BOLT, flange, 8 x 28	2	2	
10	45209-GE2-006	SEAL, piston	2	2		30	90114-MA5-671	BOLT, handle lever	1	1	
11	45215-ML7-922	PIN, hanger	1	1		31	90145-MS9-611	BOLT, oil, 10 x 22	1	1	
• 12	45500-NF4-770	CYLINDER ASSY., front brake master ...	1	1		• 32	90145-NN0-000	BOLT, oil, bleeder	1	1	
13	45513-MB4-673	CAP, master cylinder	1	1		33	90201-415-000	NUT, cap, 6 mm	1	1	
14	45517-166-006	HOLDER, master cylinder	1	1		34	90545-300-000	WASHER, oil bolt	4	4	
15	45518-MB4-671	PLEATE, diaphragm	1	1		• 35	90651-NC8-000	TY-LAP, 3.6 x 281	1	1	
16	45520-MA5-672	DIAPHRAGM	1	1		• 36	90652-ND5-000	TY-LAP, 2.4 x 92	1	1	
17	45530-MN9-305	CYLINDER SET, master	1	1		37	93500-03006-0A	SCREW, pan, 3 x 6	1	1	
• 18	45530-NF4-760	BOLT ASSY., oil bleeder	1	1		38	93600-04012-1G	SCREW, flat, 4 x 12	2	2	
19	53170-MJ4-006	LEVER ASSY., R handle	1	1		39	94101-03800	WASHER, plan, 3 mm	1	1	
20	53171-MJ4-006	KNOCKER, master cylinder	1	1		40	95701-06025-00	BOLT, flange, 6 x 25	2	2	

Block No.

F-5

Front fork • Rear cushion '90 RS125R



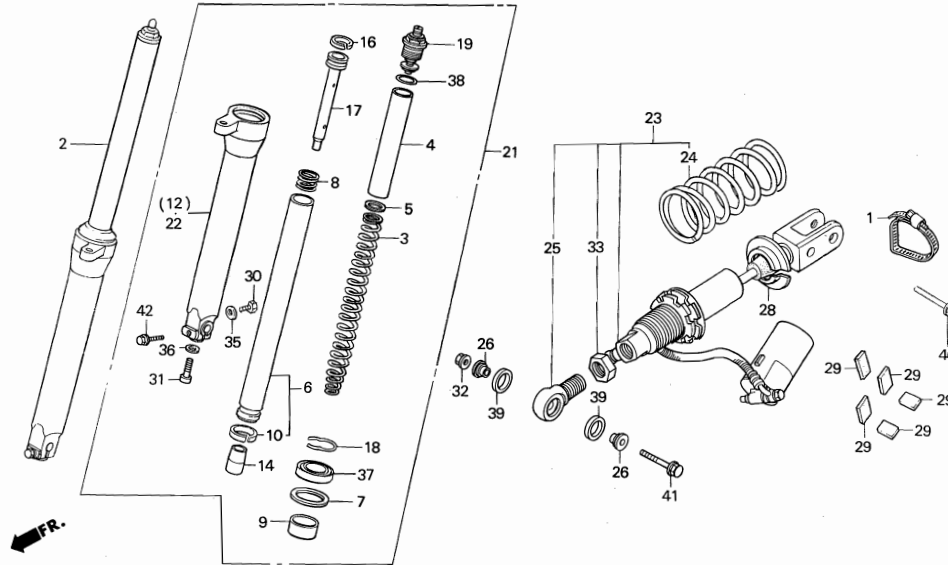
Ref. No.	Part No.	Description	Reqd. No. '90	Reqd. No. '91	Remarks	Ref. No.	Part No.	Description	Reqd. No. '90	Reqd. No. '91	Remarks
• 1	50252-NF4-750	BAND, sub tank	1	1		• 15	51432-NF4-781	PIECE, oil lock	—	2	
• 2	51400-NF4-771	FORK ASSY., R. front	1	—		• 15	51435-NF4-781	O-RING, 11.8 x 2.4	—	2	
• 3	51400-NF4-781	FORK ASSY., R. front	—	1		16	51437-461-003	RING, piston	—	2	
• 3	51401-NF4-771	SPRING, A, front cushion (0.6)	2	—	STD	• 17	51437-NF4-771	RING, piston	2	—	
• 3	51401-NF4-781	SPRING, front fork (0.65)	—	2	STD	• 17	51440-NF4-771	PIPE, seat	2	—	
• 3	51403-NF4-871	SPRING, B, front cushion (0.65)	(2)	—	HARD	• 18	51447-KL4-951	RING, oil seal stopper	2	2	
• 3	51403-NF4-881	SPRING, H, front fork (0.70)	—	(2)	HARD	• 19	51450-NF4-771	BOLT COMP., fork	2	—	
• 3	51404-NF4-871	SPRING, C, front cushion (0.55)	(2)	—	SOFT	• 20	51455-NF4-781	BOLT, front fork	—	2	
• 3	51404-NF4-881	SPRING, S, front fork (0.60)	—	(2)	SOFT						
• 4	51402-NF4-771	COLLAR, spring	2	—		• 21	51500-NF4-771	FORK ASSY., L front	1	—	
5	51403-MA0-771	PLATE, spring joint	2	2		• 21	51500-NF4-781	FORK ASSY., L front	—	1	
• 6	51410-NF4-771	PIPE COMP., front fork	2	—		• 22	51521-NF4-771	CASE COMP. L bottom	1	1	
• 6	51410-NF4-781	PIPE COMP., front fork	—	2		• 23	52400-NF4-771	CUSHION ASSY., rear	1	—	
7	51412-422-003	RING, back up	2	2		• 23	52400-NF4-781	CUSHION ASSY., rear	—	1	
• 8	51412-NF4-771	SPRING, rebound	2	—		• 24	52401-NF4-771	SPRING, A, rear cushion (6.4)	1	—	STD
9	51414-469-003	BUSH, guide	2	2		• 24	52401-NF4-781	SPRING, rear cushion (6.4)	—	1	STD
10	51415-KL4-951	BUSH, slide	2	2		• 24	52402-NF4-871	SPRING, B, rear cushion (6.8)	(1)	—	HARD
• 11	51415-NF4-781	SEAT, spring	—	2		• 24	52402-NF4-881	SPRING, H, rear cushion (6.8)	—	(1)	HARD
• 12	51421-NF4-771	CASE COMP., R bottom	1	1		• 24	52403-NF4-871	SPRING, C, rear cushion (6.0)	(1)	—	SOFT
• 13	51430-NF4-781	DAMPER COMP., front	—	2		• 24	52403-NF4-881	SPRING, S, rear cushion (6.0)	—	(1)	SOFT
• 14	51432-NF4-771	PIECE, oil lock	2	—		• 25	52420-NF4-781	JOINT COMP., upper	1	1	

3

Block No.

F-5

Front fork • Rear cushion '90 RS125R

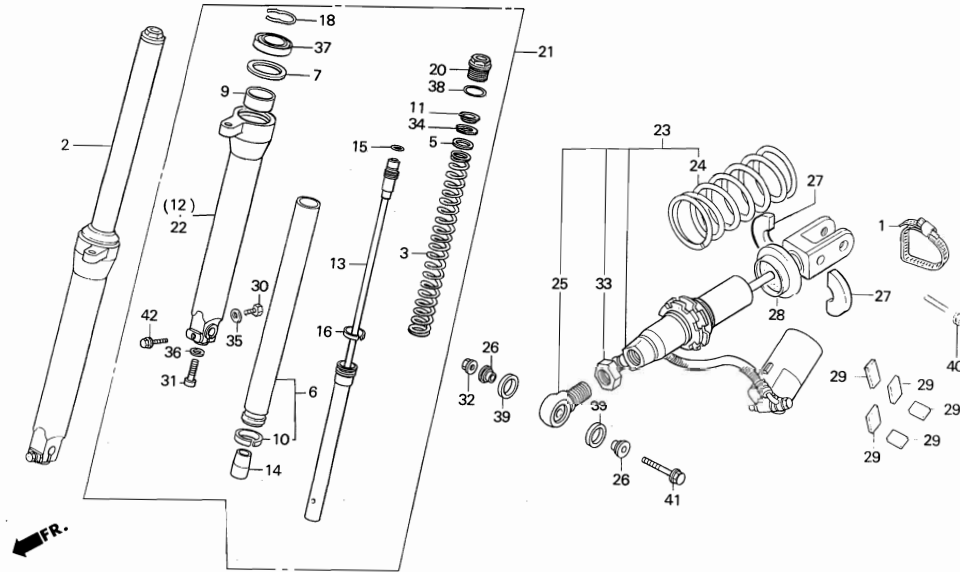


Ref. No.	Part No.	Description	Reqd. No. '90	Reqd. No. '91	Remarks	Ref. No.	Part No.	Description	Reqd. No. '90	Reqd. No. '91	Remarks
26	52452-GC4-831	BUSH, DAMPER up	2	2							
• 27	52455-NF4-781	STOPPER, spring seat	—	2							
28	52459-GC4-003	SEAT, rear cushion spring	1	—							
•	52459-NF4-781	SEAT, spring	—	1							
• 29	64105-NF4-000	RUBBER, cowling	5	5							
• 30	90107-NF4-003	BOLT, hex., 6 x 8	2	2							
31	90116-383-721	BOLT, socket, 8 x 27	—	2							
	90116-KV3-701	BOLT, socket, 8 x 18	2	—							
32	90304-GA6-003	NUT, axle	1	1							
• 33	90306-NF5-003	NUT, lock	1	1							
• 34	90404-NF4-881	WASHER, preload, 1.6 mm	—	N							
35	90543-273-000	PACKING, front fork drain cock	2	2							
36	90544-283-000	WASHER, special	2	2							
• 37	91255-MA6-013	OIL-SEAL, 35 x 48 x 11	2	2							
38	91317-381-771	O-RING, 28 x 2.4	2	2							
39	91351-KB7-003	DUST-SEAL, B	2	2							
40	95801-10040-00	BOLT, flange, 10 x 40	1	1							
41	95801-10050-00	BOLT, flange, 10 x 50	1	1							
42	96300-08040-00	BOLT, flange, DR, 8 x 40	2	2							

Block No.

F-5-1

Front fork • Rear cushion '91 RS125R

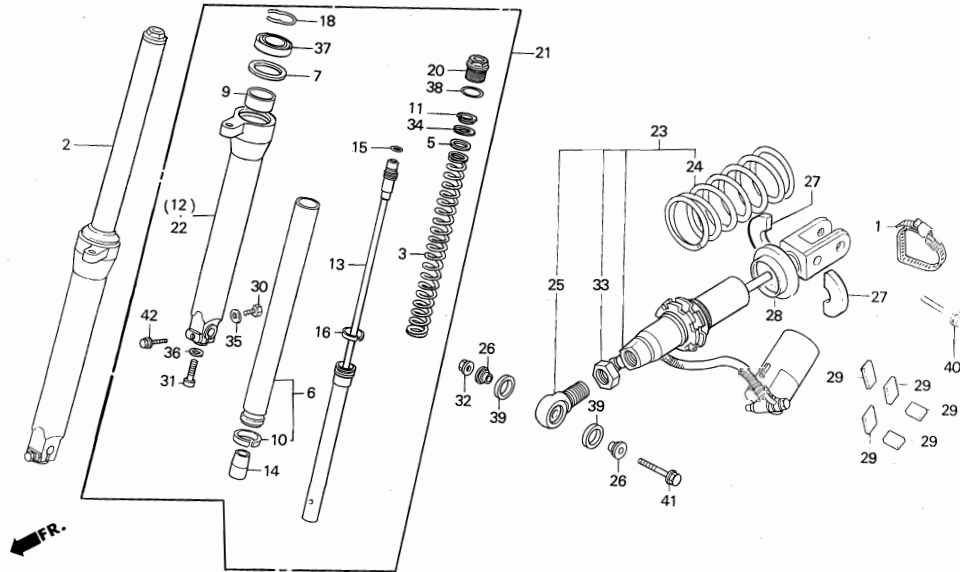


Ref. No.	Part No.	Description	Reqd. No. '90	Reqd. No. '91	Remarks	Ref. No.	Part No.	Description	Reqd. No. '90	Reqd. No. '91	Remarks
• 1	50252-NF4-750	BAND, sub tank	1	1		• 14	51432-NF4-771	PIECE, oil lock	2	—	
• 2	51400-NF4-771	FORK ASSY., R. front	1	—		• 15	51435-NF4-781	O-RING, 11.8 x 2.4	—	2	
•	51400-NF4-781	FORK ASSY., R. front	—	1		• 16	51437-461-003	RING, piston	—	2	
• 3	51401-NF4-771	SPRING, A, front cushion (0.6)	2	—	STD	•	51437-NF4-771	RING, piston	2	—	
•	51401-NF4-781	SPRING, front fork (0.65)	—	2	STD	• 17	51440-NF4-771	PIPE, seat	2	—	
•	51403-NF4-871	SPRING, B, front cushion (0.65)	(2)	—	HARD	• 18	51447-KL4-951	RING, oil seal stopper	2	2	
•	51403-NF4-881	SPRING, H, front fork (0.70)	—	(2)	HARD	• 19	51450-NF4-771	BOLT COMP., fork	2	—	
•	51404-NF4-871	SPRING, C, front cushion (0.55)	(2)	—	SOFT	• 20	51455-NF4-781	BOLT, front fork	—	2	
•	51404-NF4-881	SPRING, S, front fork (0.60)	—	(2)	SOFT	• 21	51500-NF4-771	FORK ASSY., L front	1	—	
• 4	51402-NF4-771	COLLAR, spring	2	—		•	51500-NF4-781	FORK ASSY., L front	—	1	
5	51403-MAO-771	PLATE, spring joint	2	2		• 22	51521-NF4-771	CASE COMP. L bottom	1	1	
• 6	51410-NF4-771	PIPE COMP., front fork	2	—		• 23	52400-NF4-771	CUSHION ASSY., rear	1	—	
•	51410-NF4-781	PIPE COMP., front fork	—	2		•	52400-NF4-781	CUSHION ASSY., rear	—	1	
7	51412-422-003	RING, back up	2	2		• 24	52401-NF4-771	SPRING, A, rear cushion (6.4)	1	—	STD
• 8	51412-NF4-771	SPRING, rebound	2	—		•	52401-NF4-781	SPRING, rear cushion (6.4)	—	1	STD
9	51414-469-003	BUSH, guide	2	2		•	52402-NF4-871	SPRING, B, rear cushion (6.8)	(1)	—	HARD
10	51415-KL4-951	BUSH, slide	2	2		•	52402-NF4-881	SPRING, H, rear cushion (6.8)	—	(1)	HARD
• 11	51415-NF4-781	SEAT, spring	—	2		•	52403-NF4-871	SPRING, C, rear cushion (6.0)	(1)	—	SOFT
• 12	51421-NF4-771	CASE COMP., R bottom	1	1		•	52403-NF4-881	SPRING, S, rear cushion (6.0)	—	(1)	SOFT
• 13	51430-NF4-781	DAMPER COMP., front	—	2		• 25	52420-NF4-781	JOINT COMP., upper	1	1	

Block No.

F-5-1

Front fork • Rear cushion '91 RS125R



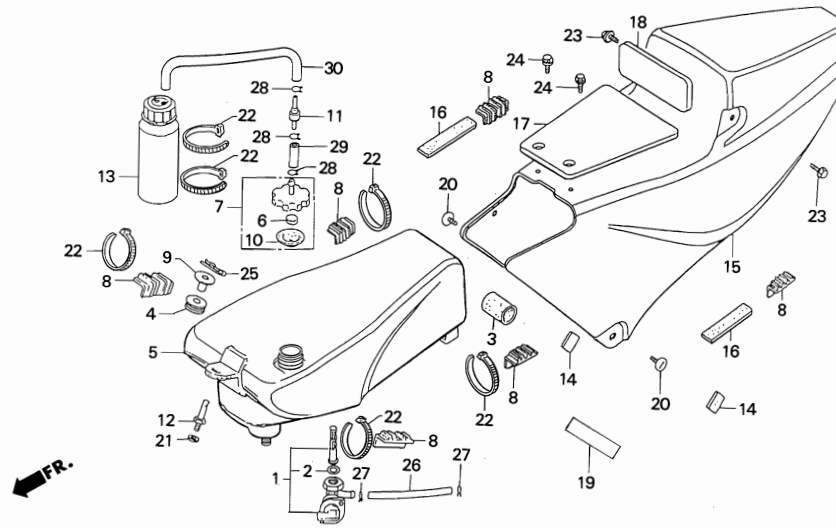
Ref. No.	Part No.	Description	Reqd. No.		Remarks	Ref. No.	Part No.	Description	Reqd. No.		Remarks
			'90	'91					'90	'91	
26	52452-GC4-831	BUSH, DAMPER up	2	2							
•27	52455-NF4-781	STOPPER, spring seat	—	2							
28	52459-GC4-003	SEAT, rear cushion spring	1	—							
•	52459-NF4-781	SEAT, spring	—	1							
•29	64105-NF4-000	RUBBER, cowling	5	5							
•30	90107-NF4-003	BOLT, hex., 6 x 8	2	2							
31	90116-383-721	BOLT, socket, 8 x 27	—	2							
	90116-KV3-701	BOLT, socket, 8 x 18	2	—							
32	90304-GA6-003	NUT, axle	1	1							
•33	90306-NF5-003	NUT, lock	1	1							
•34	90404-NF4-881	WASHER, preload, 1.6 mm	—	N							
35	90543-273-000	PACKING, front fork drain cock	2	2							
36	90544-283-000	WASHER, special	2	2							
•37	91255-MA6-013	OIL-SEAL, 35 x 48 x 11	2	2							
38	91317-381-771	O-RING, 28 x 2.4	2	2							
39	91351-KB7-003	DUST-SEAL, B	2	2							
40	95801-10040-00	BOLT, flange, 10 x 40	1	1							
41	95801-10050-00	BOLT, flange, 10 x 50	1	1							
42	96300-08040-00	BOLT, flange, DR, 8 x 40	2	2							

3

Block No.

F-6

Fuel tank • Seat
'90, '91 RS125R



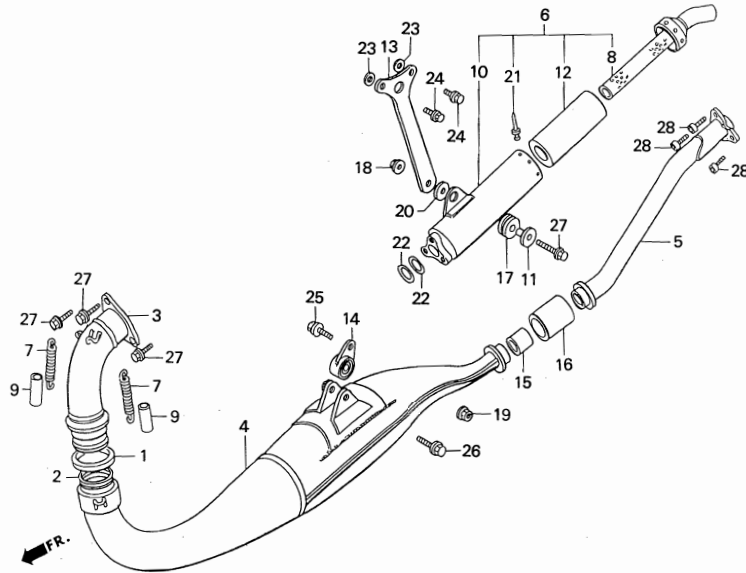
Ref. No.	Part No.	Description	Reqd. No. '90 '91	Remarks	Ref. No.	Part No.	Description	Reqd. No. '90 '91	Remarks
• 1	16950-ND5-750	COCK ASSY., fuel	1 1		• 20	90106-NF4-770	BOLT, cowl set, 6 x 13	2 2	
2	16958-MA2-771	O-RING	1 1		21	90405-HA0-000	WASHER, 9 mm (t=0.8 mm)	N N	
• 3	17505-NF4-000	RBBER, fuel tank mount	1 1			90443-GC8-000	WASHER, 8 mm (t=1.0 mm)	N N	
4	17508-KN5-670	RUBBER, tank mount	1 1		• 22	90651-NC8-000	TY-LAP, 3.6 x 281	6 6	
• 5	17510-NF4-760	TANK COMP., fuel	1 —		23	93404-06016-000	BOLT, WASHER, 6 x 16	2 2	
•	17510-NF4-780	TANK COMP., fuel	— 1		24	93404-06020-000	BOLT, WASHER, 6 x 20	2 2	
• 6	17512-ND5-750	FILTER, fuel cap	1 1		25	94252-10100	PIN, lock, 10 mm	1 1	
• 7	17520-NF4-750	CAP ASSY., fuel tank	1 1		26	95001-75295-40	TUBE, fuel, 7.5 x 295	1 1	
• 8	17528-NF4-000	RUBBER B, fuel tank mount	6 6		27	95002-02120	CLIP, B12, tube	2 2	
9	17618-371-000	COLLAR, tank set	1 1		28	95002-45000	CLIP, C8, tube	3 3	
10	17624-430-000	PACKING, fuel cap	1 1		29	95003-10003-31	V-TUBE, 5 x 8 x 30	1 1	
• 11	17625-NF4-003	VALVE COMP., check	1 1		30	95003-10058-31	V-TUBE, 6 x 9 x 580	1 1	
• 12	17629-NF4-000	PIN, tank mount	1 1						
• 13	19602-NF4-810	TANK, catch, 250	1 1						
• 14	64105-NF4-000	RUBBER, cowling	1 2						
• 15	77101-NF4-770	COWL, seat	1 —						
•	77101-NF4-780	COWL, seat	— 1						
• 16	77105-NF4-750	RUBBER, seat rail	2 2						
• 17	77220-NF4-760	RUBBER, seat	1 1						
• 18	77221-NF5-760	RUBBER, seat back	1 1						
11	77238-MR7-300	TAPE	— 3						

3

Block No.

F-7

Expansion chamber
'90 RS125R
'91 RS125R

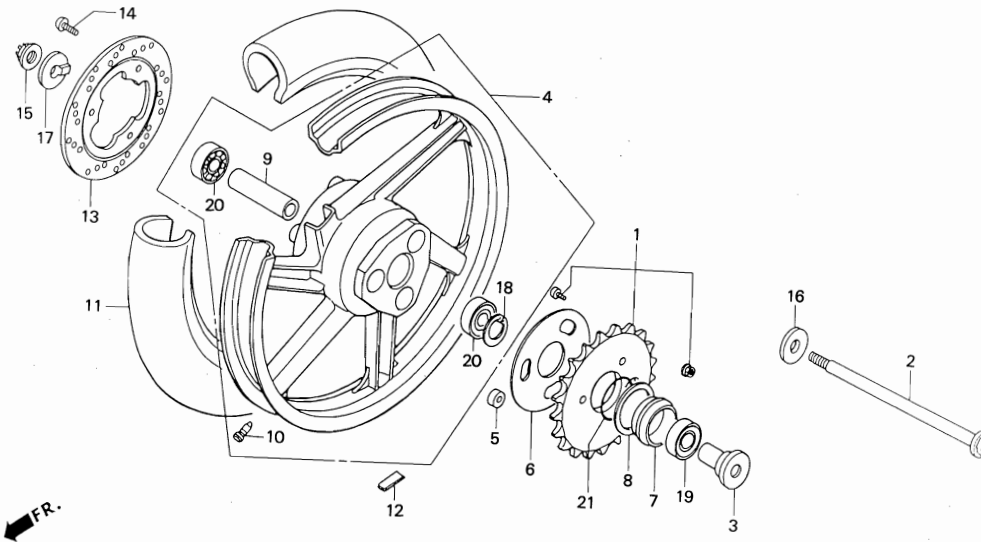


Ref. No.	Part No.	Description	Reqd. No. '90	Reqd. No. '91	Remarks	Ref. No.	Part No.	Description	Reqd. No. '90	Reqd. No. '91	Remarks
• 1	18305-NF4-750	SPACER, chamber joint	1	—		14	18359-961-000	STAY ASSY., muffle	1	1	
• 2	18306-NF4-750	SEAL, exhaust joint	1	—		• 15	18360-NF4-000	PIPE, chamber joint	1	1	
• 3	18307-NF4-770	JOINT COMP., expansion chamber ..	1	—		• 16	18361-NF4-770	SEAL, chamber joint	1	1	
• 4	18310-NF4-720	CHAMBER COMP., expansion	1	—	EXPORT SPEC.	17	61103-430-000	RUBBER, fender mount	1	1	
• 5	18325-NF4-770	JOINT COMP., silencer	1	—	JAPANESE SPEC.	18	90301-473-003	NUT, U. 6 mm	1	1	
• 6	18330-NF4-721	SILENCER ASSY.	1	—	EXPORT SPEC.	19	90309-428-731	NUT, flange, 8 mm	1	1	
• 7	18332-KS6-000	SPRING, exhaust pipe	2	2		20	90506-430-000	WASHER, fender mount	1	1	
• 8	18332-NF5-760	INNER COMP., silencer L	1	1		• 21	91081-NF4-003	RIVET, blind, 3.2	8	8	
• 9	18333-ND4-760	TUBE, spring	2	2		22	91301-KR3-003	O-RING, 25.5 x 2.5	2	2	
• 10	18333-NF4-770	OUTER COMP., body	1	1		23	94103-06800	WASHER, plan, 6 mm	2	2	
• 11	18336-KS6-700	COLLAR, silencer mount	1	1		24	95701-06016-00	BOLT, flange, 6 x 16	2	2	
• 12	18336-NF5-761	GLASS WOOL	1	1		25	95801-08022-08	BOLT, flange, 8 x 22	1	1	
• 13	18355-NF4-770	STAY, silencer mount	1	1		26	95801-08032-08	BOLT, flange, 8 x 32	1	1	
						27	96001-06028-00	BOLT, flange, SH, 6 x 28	4	4	
						28	96700-06016-17	BOLT, socket, 6 x 16	3	3	

Block No.

F-8

**Rear wheel
'90 RS125R
'91 RS125R**

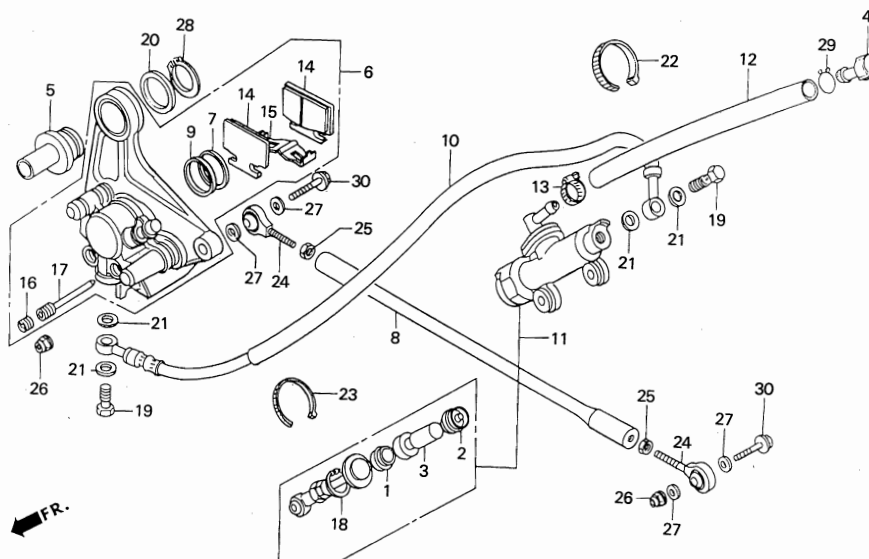


Ref. No.	Part No.	Description	Reqd. No. '90	Reqd. No. '91	Remarks	Ref. No.	Part No.	Description	Reqd. No. '90	Reqd. No. '91	Remarks
• 1	41102-NF4-760	SPROCKET ASSY., final driven 32T	(1)	(1)		•	42711-NF4-783	TIRE, 105/585-17 (YOKOHAMA) ...	—	1	JAPANESE SPEC. (NO SALE)
•	41103-NF4-760	SPROCKET ASSY., final driven 33T	(1)	(1)		• 12	42720-NC8-000	WEIGHT, balancer, 10G	N	N	
•	41104-NF4-760	SPROCKET ASSY., final driven 34T	(1)	(1)		•	42721-NC8-000	WEIGHT, balancer, 20G	N	N	
•	41105-NF4-760	SPROCKET ASSY., final driven 35T	(1)	(1)		• 13	43122-NF4-770	DISK, rear brake	1	1	
•	41106-NF4-760	SPROCKET ASSY., final driven 36T	1	1		14	90105-KR3-000	BOLT, front disk, 8 x 24	3	3	
•	41107-NF4-760	SPROCKET ASSY., final driven 37T	(1)	(1)		15	90305-GE8-003	NUT, U, 14 mm	1	1	
•	41108-NF4-760	SPROCKET ASSY., final driven 38T	(1)	(1)		• 16	90408-NF4-000	WASHER, 15 x 35	1	1	
•	41109-NF4-760	SPROCKET ASSY., final driven 39T	(1)	(1)		• 17	90409-NF4-000	WASHER, A, 15 x 35	1	1	
•	41110-NF4-760	SPROCKET ASSY., final driven 40T	(1)	(1)		• 18	90652-NF4-000	CIR-CLIP, internal, 35	1	1	
• 2	42301-NF4-000	AXLE, rear wheel	1	1		• 19	91052-NF4-000	BEARING, radial ball, 6904UU	1	1	
• 3	42304-NF4-770	COLLAR, rear wheel side	1	1		• 20	96140-62020-10	BEARING, radial ball, 6202U	2	2	
• 4	42600-NF4-780	WHEEL SET, rear, 3.00 x 17	1	1		21	91357-964-006	O-RING, 31	1	1	
• 5	42615-ND5-750	RUBBER, RR wheel damper	3	3							
• 6	42616-NF4-000	WASHER, sprocket	1	1							
• 7	42617-NF4-770	COLLAR, sprocket	1	1							
• 8	42618-NF4-000	WASHER, collar sprocket, 0.2	N	N							
•	42619-NF4-000	WASHER, collar sprocket, 0.3	N	N							
• 9	42620-NF4-770	COLLAR, rear axle distance	1	1							
• 10	42704-NF5-710	VALVE, wheel	1	1							
• 11	42711-NF4-771	TIRE, 2.85 x 4.00-17 (DUNLOP)	1	1	EXPORT SPEC. ('91) (NO SALE)						

Block No.

F-9

Rear brake • Rear master cylinder '90 RS125R '91 RS125R



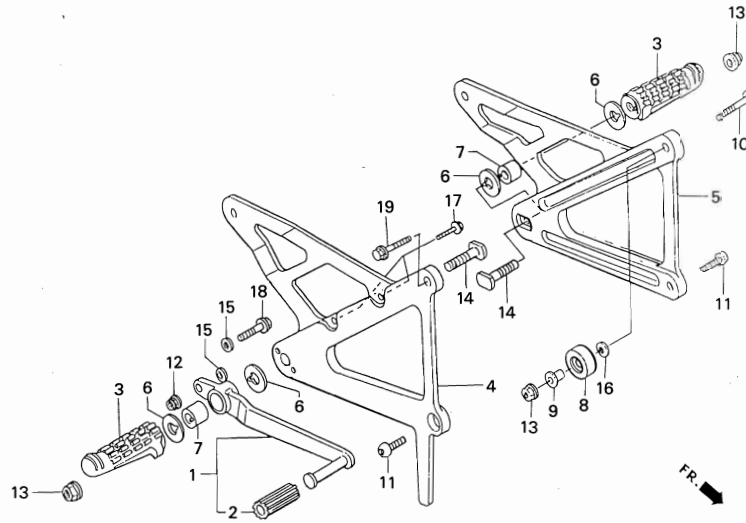
Ref. No.	Part No.	Description	Reqd. No. '90	Reqd. No. '91	Remarks	Ref. No.	Part No.	Description	Reqd. No. '90	Reqd. No. '91	Remarks
• 1	04601-ND5-760	CUP, primary	1	1		21	90545-300-000	WASHER, oil bolt	4	4	
• 2	04602-ND5-760	CUP, secondary	1	1		•22	90651-NC8-000	TY-LAP, 3.6 x 281	1	1	
• 3	04603-NF4-770	PISTON, rear	1	1		•23	90652-ND5-000	TY-LAP, 2.4 x 92	1	1	
4	17370-419-700	PLUG, breather tube	1	1		•24	91048-NC5-000	ROD, end, 8 mm	2	2	
• 5	42305-NF4-750	COLLAR, caliper bracket	1	1		25	94002-08000-0S	NUT, hex, 8 mm	2	2	
• 6	43100-NF4-770	CALIPER ASSY, rear	1	1		26	94050-08000	NUT, flange, 8 mm	2	2	
7	43109-MA3-006	DUST-SEAL	1	1		27	94102-08000	WASHER, plain, 8 mm	4	4	
• 8	43111-NF4-750	TORQUE-ROD, rear brake	1	1		28	94510-30000	CIR-CLIP, external, 30	1	1	
9	43209-MA3-006	SEAL, piston	1	1		29	95002-02120	CLIP, tube, B12	1	1	
•10	43310-NF4-781	HOSE, rear brake	1	1		30	95801-08035-00	BOLT, flange, 8 x 35	2	2	
•11	43500-NF4-770	MASTER CYLINDER ASSY., rear ..	1	1							
•12	43503-NF4-000	V-TUBE, 9 x 13 x 240	1	1							
•13	43541-ND5-750	CLAMP	1	1							
14	45105-GM9-743	PAD COMP	2	2							
15	45108-GM9-741	SPRING, pad	1	1							
16	45203-MG3-016	PLUG, pin	2	2							
17	45215-GE2-006	PIN, hanger	2	2							
18	46182-500-013	CIR-CLIP	1	1							
19	90145-MS9-611	BOLT, oil, 10 x 22	1	1							
20	90475-425-000	WASHER, thrust, 30 mm	1	1							

3

Block No.

F-10

Step • Brake pedal
'90 RS125R
'91 RS125R



Ref. No.	Part No.	Description	Reqd. No.		Remarks	Ref. No.	Part No.	Description	Reqd. No.		Remarks
			'90	'91					'90	'91	
• 1	46500-NF4-770	PEDAL COMP., brake	1	(1)							
• 2	46500-NF4-780	PEDAL COMP., brake	(1)	1							
• 3	46501-ND4-750	RUBBER, pedal	1	1							
• 4	50611-NF4-770	ARM COMP., step	2	2							
• 5	50630-NF4-770	HOLDER, R., step	1	1							
• 6	50640-NF4-770	HOLDER, L., step	1	1							
• 7	50642-NF4-770	WASHER, 8.2 mm	4	4							
• 8	50643-NF4-770	COLLAR, 16 x 8.2	2	2							
• 9	52158-HB5-003	ROLLER, chain	1	1							
• 10	52159-467-000	COLLAR, chain roller	1	1							
• 11	90113-HB3-000	BOLT, flange, DR, 8 x 62	1	1							
• 12	90178-NC8-000	SCREW, 8 x 22	2	2							
• 13	90301-473-003	NUT, U., 6 mm	1	1							
• 14	90309-428-731	NUT, flange, 8 mm	3	3							
• 15	90510-NF4-770	BOLT, M. step	2	2							
• 16	94101-06000	WASHER, plain, 6 mm	2	2							
• 17	94102-08000	WASHER, plain, 8 mm	1	1							
• 18	95801-06022-00	BOLT, flange, 6 x 22	2	2							
• 19	95801-06025-00	BOLT, flange, 6 x 25	1	1							
• 20	95801-08025-00	BOLT, flange 8 x 25	1	1							

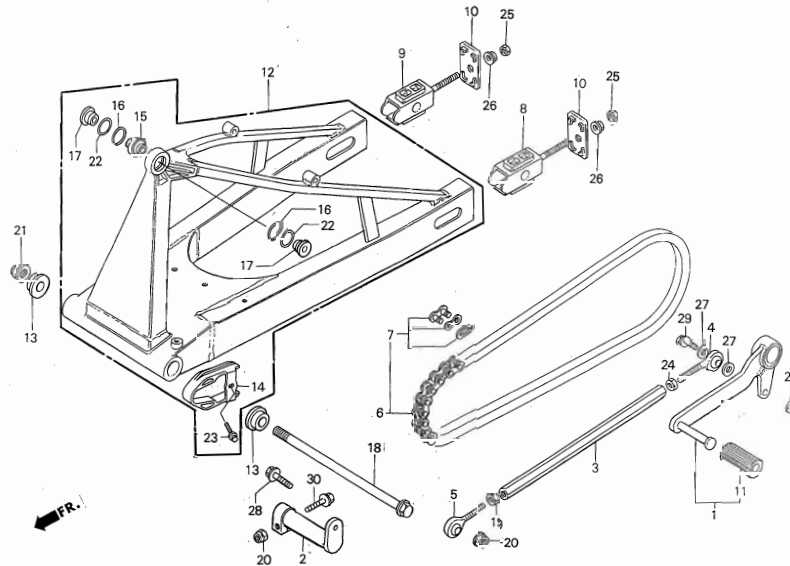
Block No.

F-11

Change pedal • Rear fork

'90 RS125R

'91 RS125R

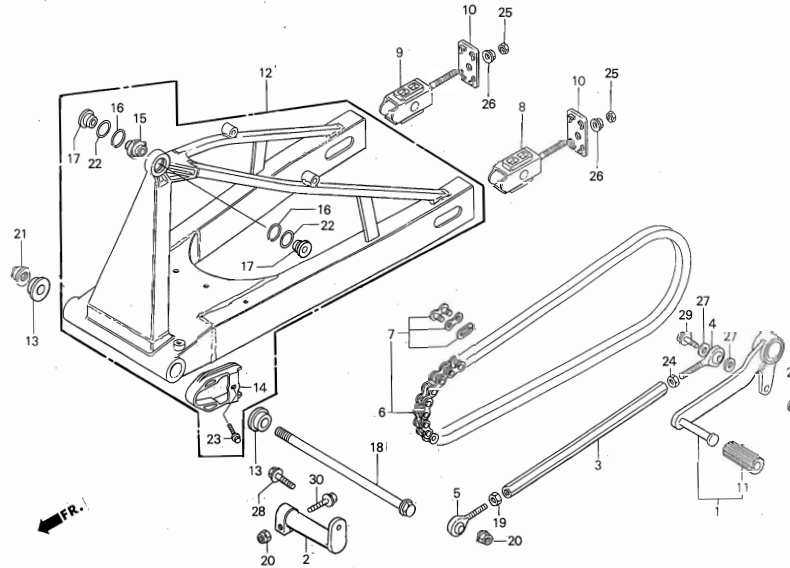


Ref. No.	Part No.	Description	Reqd. No. '90 '91	Remarks	Ref. No.	Part No.	Description	Reqd. No. '90 '91	Remarks
• 1	24700-NF4-770	PEDAL COMP., change	1	(1)	•	40531-NF4-761	JOINT, RJ, drive chain		
•	24700-NF4-780	PEDAL COMP., change	(1)	1			(DID 415ER).....	(1)	(1)
• 2	24702-NF4-770	ARM, gear change	1	1	8	40543-KJ1-700	ADJUSTER, chain	1	1
• 3	24706-NF4-760	ROD, change, 230	1	1	• 9	40543-NF4-000	ADJUSTER, chain RH (18)	1	1
• 4	24711-NC8-000	END, A, rod, 6 mm	1	1	10	40544-KJ1-700	RETAINER, chain adjuster	2	2
• 5	24712-NC8-000	END, B, rod, 6 mm	1	1	• 11	46501-ND4-750	RUBBER, pedal	1	1
• 6	40530-NF4-751	CHAIN, drive.....			• 12	52100-NF4-770	FORK ASSY., rear	1	—
		(RKGB415HR x 118RJ).....	1	1	•	52100-NF4-780	FORK ASSY., rear	—	1
•	40530-NF4-761	CHAIN, drive.....			• 13	52146-NF4-000	COLLAR, rear fork pivot	2	2
		(DID 415ER x 118RJ).....	(1)	(1)	• 14	52170-NF4-770	SLIDER, chain	1	1
•	40532-NF4-751	CHAIN, drive.....			• 15	52422-NF5-952	BEARING, spherical	—	1
		(RKGB415HR x 112RJ).....	(1)	(1)		91074-GC4-831	BEARING, spherical, 12	1	—
•	40533-NF4-751	CHAIN, drive.....			• 16	52469-NC8-000	SNAP, ring, 22 mm	2	2
		(RKGB415HR x 114RJ).....	(1)	(1)	• 17	52486-ND9-000	COLLAR, cushion pivot	2	2
•	40534-NF4-751	CHAIN, drive.....			• 18	90121-NF4-003	AXLE, rear fork pivot	1	1
		(RKGB415HR x 116RJ).....	(1)	(1)	19	90201-KV3-700	NUT, tie-rod B	1	1
•	40535-NF4-751	CHAIN, drive.....			20	90301-473-003	U-NUT, 6 mm	3	3
		(RK GB415HR x 120RJ).....	(1)	(1)	21	90305-MC0-003	U-NUT, 16 mm	1	1
• 7	40535-NF4-761	CHAIN, drive (DID415ER-120RJ) ...	(1)	(1)	22	91351-KB7-003	SEAL B, dust	2	2
	40531-NF4-751	JOINT, RJ, drive chain	1	1	23	93404-06020-00	BOLT-WASHER, 6 x 20	1	1
		(RK GB415HR).....							

Block No.

F-11

Change pedal • Rear fork
'90 RS125R
'91 RS125R

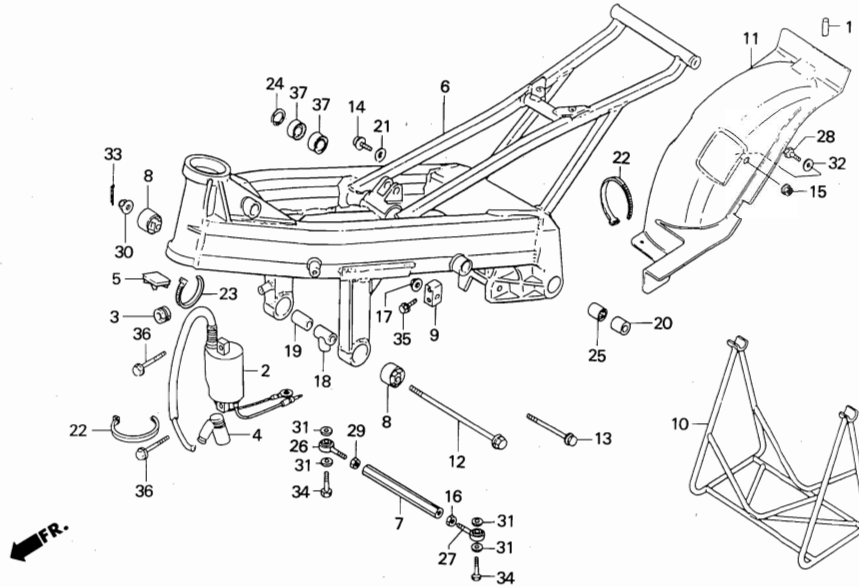


Ref. No.	Part No.	Description	Reqd. No.		Remarks	Ref. No.	Part No.	Description	Reqd. No.		Remarks
			'90	'91					'90	'91	
24	94001-06200-0S	NUT, hex, 6 mm	1	1							
25	94002-08000-0S	NUT, hex, 8 mm	2	2							
26	94050-08000	NUT, flange, 8 mm	2	2							
27	94101-06000	WASHER, plain, 6 mm	2	2							
28	95801-06022-00	BOLT, flange, 6 x 22	1	1							
29	95801-06025-00	BOLT, flange, 6 x 25	1	1							
30	96001-06028-00	BOLT, flange, SH., 6 x 28	1	1							

Block No.

F-12

Ignition coil • Frame body '90 RS125R '91 RS125R



Ref. No.	Part No.	Description	Reqd. No. '90	Reqd. No. '91	Remarks	Ref. No.	Part No.	Description	Reqd. No. '90	Reqd. No. '91	Remarks
1	17521-HA7-670	RUBBER, protr	1	1		•20	90506-NF4-000	COLLAR, bearing needle	1	1	
• 2	30500-ND4-762	COIL, ignition	1	—		21	90543-273-000	PACKING, frontn fork drain cock ...	1	1	
• 3	30500-NF4-780	COIL, ignition	—	1		•22	90651-NC8-000	TY-LAP, 3.6 x 281	2	2	
• 3	30501-NF4-780	GROMMET, H/T. cord	—	1		•23	90652-ND5-000	TY-LAP, 2.4 x 92	—	1	
4	30700-KM9-153	CAP ASSY., noise suppressor	1	1		•24	90652-NF4-000	CIR-CLIP, internal, 35	1	1	
• 5	32114-NF4-780	BASE, tylap	—	1		•25	91053-NF4-000	BEARING, needle	1	1	
• 6	50100-NF4-780	BODY COMP., frame	1	1		•26	91055-NF4-000	RODEND A, engine torque	1	1	
• 7	50184-NF4-750	ROD, engine torque	1	1		•27	91056-NF4-000	RODEND B, engine torque	1	1	
• 8	50200-NF4-000	MOUNT A COMP., engine	2	2		28	92101-05028-0A	BOLT, hex., 5 x 28	2	2	
• 9	50258-NF4-000	HANGER, rear engine	1	1		29	94002-08000-0S	NUT, hex., 8 mm	1	1	
•10	50500-ND4-750	STAND, main	1	1		30	94012-10000-0S	NUT, castle, 10 mm	1	1	
•11	80100-NF4-760	FENDER, rear	1	1		31	94102-08000	WASHER, plain, 8 mm	4	4	
•12	90103-NF4-000	BOLT, flange, 10 x 247	1	1		32	94103-05800	WASHER, plain, 5 mm	2	2	
•13	90117-NF4-780	BOLT, flange, 10 x 135	1	1		33	94201-25200	PIN, split, 2.5 x 20	1	1	
•14	90134-ND5-000	BOLT, flange, 6 x 10	1	1		34	95801-08028-00	BOLT, flange, 8 x 28	2	2	
15	90301-MG8-000	NUT, flange, 5 mm	2	2		35	95801-08045-00	BOLT, flange, 8 x 45	2	2	
•16	90302-NF4-000	L-NUT, 8 mm	1	1		36	96001-06020-00	BOLT, flange, SH, 6 x 20	2	2	
17	90304-GA6-003	NUT, axle	1	1		37	96150-60030-10	BEARING, ball, radial, 6003	2	2	
•18	90501-NF4-750	COLLAR, 20 x 10 x 51	1	1							
•19	90502-NF4-760	COLLAR, 20 x 10 x 34	1	1							

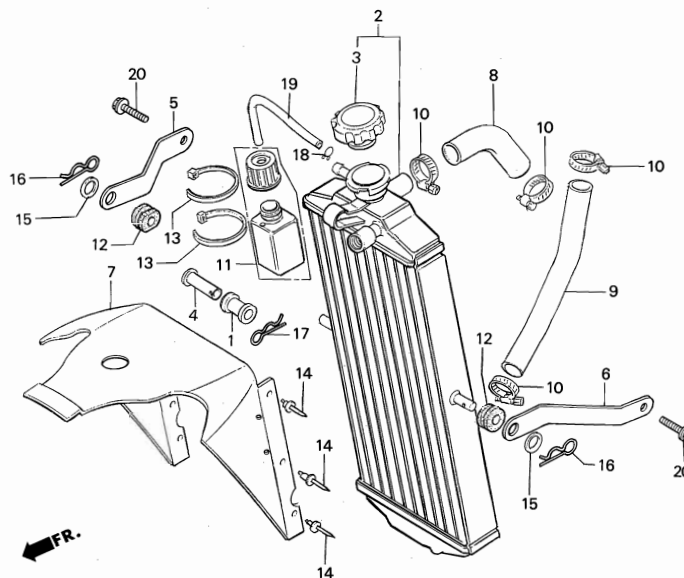
Block No.

F-13

Radiator

'90 RS125R

'91 RS125R



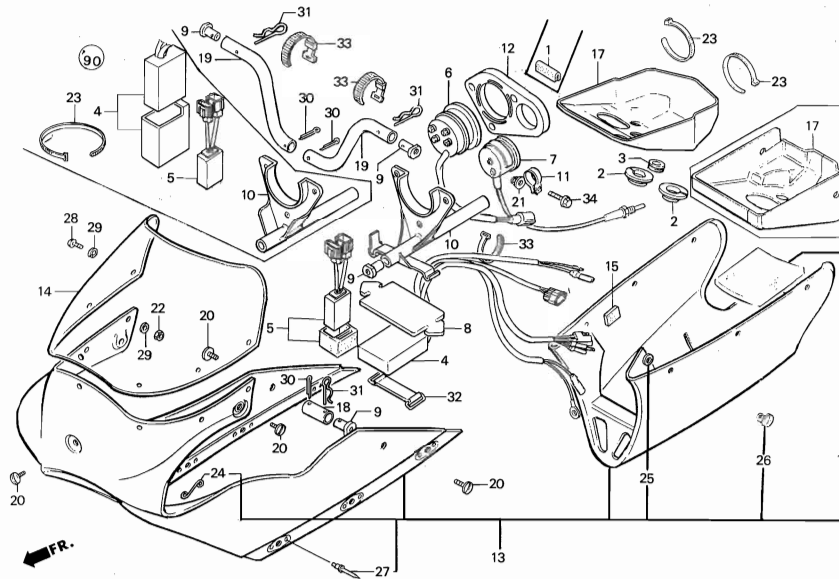
Ref. No.	Part No.	Description	Reqd. No.		Remarks	Ref. No.	Part No.	Description	Reqd. No.		Remarks
			'90	'91					'90	'91	
1	18421-MK3-000	RUBBER, radiator mount	1	1		20	95701-06016-00	BOLT, flange, 6 x 16	2	2	
• 2	19010-NF4-771	RADIATOR ASSY.	1	—							
• 3	19010-NF4-781	RADIATOR ASSY.	—	1							
• 4	19045-MB0-702	CAP COMP.	1	1							
• 5	19051-NF4-000	COLLAR, radiator	1	1							
• 6	19052-NF4-770	STAY R, radiator	—	1							
• 7	19053-NF4-770	STAY L., radiator	1	1							
• 8	19112-NF4-770	SHROUD, radiator	1	1							
• 9	19502-NF4-000	HOSE, A. water	1	1							
• 10	19503-NF4-750	HOSE, B. water	1	1							
• 11	19517-MB6-000	CLAMP B, water hose	4	4							
• 12	19601-NF4-750	TANK, catch	1	1							
• 13	33712-KC5-003	GROMMET, tailligh mount	2	2							
• 14	90651-NC8-000	TY-LAP, 3.6 x 281	1	1							
• 15	91080-NC8-300	RIVET, 3.2 x 6.4	4	4							
• 16	94102-10000	WASHER, plain, 10 mm	2	2							
• 17	94252-10100	PIN, lock, 10 mm	2	2							
• 18	94252-12000	PIN, lock, 12 mm	1	1							
• 19	95002-02100	CLIP, B10, tube	1	1							
• 20	95003-14023-10	V-TUBE, 6 x 9 x 230	1	1							

3

Block No.

F-14

Tachometer • Cowling '90 RS125R '91 RS125R



Ref. No.	Part No.	Description	Reqd. No. '90	Reqd. No. '91	Remarks	Ref. No.	Part No.	Description	Reqd. No. '90	Reqd. No. '91	Remarks
1	17521-HA7-670	RUBBER, protector	1	—		•	64110-NF4-780	BOX, carburetor	—	1	
2	19114-MF9-000	RUBBER, water guide	2	2		• 18	64210-NF4-770	STAY, front cowl side	2	2	
3	19615-GJ5-000	RUBBER, shroud mount	1	1		• 19	64240-NF4-000	STAY, front cowl up	2	2	
• 4	30400-NF4-771	UNIT ASSY., CDI	1	—		• 20	90106-NF4-770	BOLT, cowl set, 6 x 13	5	5	
•	30400-NF4-780	UNIT ASSY., CDI	—	1		21	90301-473-003	U-NUT, 6 mm	1	1	
• 5	37260-NF4-770	UNIT, tachometer	1	—		• 22	90310-NF4-000	NUT, self lock, 3 mm	7	7	
•	37260-NF4-780	TACHOMETER UNIT ASSY.	—	1		• 23	90651-NC8-000	TY-LAP, 3.6 x 281	3	2	
• 6	37250-NF4-771	TACHOMETER ASSY.	1	1		• 24	90653-NC8-000	SPRING, fastener, 35	6	6	
• 7	37460-NF4-030	METER ASSY., water temp	1	1		• 25	90654-NC8-000	GROMMET, fastener	6	6	
8	50383-GK4-630	CUSHION, battery	—	1		• 26	90655-NC8-000	STUD, fastener, 35	6	6	
• 9	50803-ND4-750	NUT, cowl stay	5	5		• 27	91080-NC8-300	RIVET, 3.2 x 6.4	12	12	
• 10	50810-NF4-770	STAY COMP., center front cowl	1	—		28	93500-03010-0A	SCREW, pan, 3 x 10	7	7	
•	50810-NF4-780	STAY COMP., center front cowl	—	1		29	94101-03000	WASHER, plain, 3 mm	14	14	
• 11	50811-NF4-770	BAND, D=25.4	1	1		30	94201-25300	PIN, split, 2.5 x 30	4	4	
• 12	50815-NF5-710	PANEL, meter	1	1		31	94252-16100	PIN, lock, 16 mm	4	4	
• 13	64100-NF4-770	COWLING, front	1	1		32	95012-12001	BAND, B1, battery	—	1	
• 14	64101-NF4-770	SCREEN	1	1		33	95014-62200	BAND B2, wire	3	3	
• 15	64105-NF4-000	RUBBER, cowling	1	1		34	96001-06032-00	BOLT, flange, SH, 6 x 32	1	1	
• 16	64109-ND5-750	SHEET, heat proof	1	1							
• 17	64110-NF4-760	BOX, carburetor	1	—							

'90—'91-RS125R PART NO. INDEX

Part No.	Block	Part No.	Block	Part No.	Block	Part No.	Block
04000		13000		16000		16201-NF4-760	E-10
04601-ND5-760	F- 9	13100-NF4-770	E- 7	16010-KA3-004	E-10	16201-NF4-780	E-10
04602-ND5-760	F- 9	13100-NF4-780	E- 7	16010-KA5-691	E-10	16202-NF4-760	E-10
04603-NF4-770	F- 9	13111-NH3-000	E- 7	16011-KA3-741	E-10	16202-NF4-780	E-10
		13111-NF4-780	E- 7	16012-NF4-760	E-10	16203-NF4-760	E-10
		13112-ML0-720	E- 7	16012-NF4-780	E-10	16203-NF4-780	E-10
11000		13121-NF4-751	E- 7	16013-KA3-741	E-10	16204-NF4-760	E-10
11010-NF4-770	E- 6	13300-NF4-770	E- 7	16014-NF4-003	E-10	16204-NF4-780	E-10
11010-NF4-780	E- 6	13300-NF4-780	E- 7	16014-NF4-781	E-10	16205-NF4-760	E-10
11011-NF4-770	E- 6	13331-360-000	E- 7	16015-NF4-003	E-10	16205-NF4-780	E-10
11011-NF4-780	E- 6	13615-KS6-700	E- 5	16016-HA2-004	E-10	16206-NF4-760	E-10
11012-NF4-750	E- 6	13615-NF4-780	E- 5	16016-NF4-003	E-10	16206-NF4-780	E-10
11191-KS6-880	E- 6	13617-KS6-700	E- 5	16022-ND5-751	E-10	16207-NF4-760	E-10
11211-GC4-701	E- 6	13617-NF4-780	E- 5	16022-ND5-761	E-10	16220-NF4-770	E- 6
11340-NF4-750	E- 3			16046-ND4-751	E-10	16220-NF4-780	E- 6
11340-NF4-780	E- 3	14000		16046-NF5-751	E-10	16223-KA3-740	E- 6
11350-KS6-701	E- 2			16050-KA4-771	E-10	16223-KA5-690	E- 6
11352-KS6-700	E- 2	14100-NF4-771	E- 6	16050-NF5-710	E-10	16950-ND5-750	F- 6
11394-NF4-760	E- 3	14100-NF4-780	E- 6	16100-NF4-761	E-10	16958-MA2-771	F- 6
		14111-NF4-760	E- 6	16100-NF4-780	E-10		
		14111-NF4-780	E- 6	16111-ND5-751	E-10	17000	
12000		14132-KS6-880	E- 6	16112-NF5-710	E-10		
12100-NF4-770	E- 1	14132-NF4-780	E- 6	16113-NF5-710	E-10	17370-419-700	F- 9
12100-NF4-780	E- 1			16118-121-014	E-10	17505-NF4-000	F- 6
12191-KS6-880	E- 1	15000		16118-166-004	E-10	17508-KN5-670	F- 6
12200-NF4-760	E- 1			16120-ND5-751	E-10	17510-NF4-760	F- 6
12200-NF4-780	E- 1	15611-ND5-000	E- 3	16121-ND5-751	E-10	17510-NF4-780	F- 6
12212-ND5-003	E- 1			16162-ND4-751	E-10	17512-ND5-750	F- 6
12213-ND5-000	E- 1			16185-KA3-761	E-10	17520-NF4-750	F- 6
				16196-ND5-751	E-10	17521-HA7-670	F-12
				16196-ND5-761	E-10		F-14
				16199-NF5-751	E-10	17528-NF4-000	F- 6

'90—'91-RS125R PART NO. INDEX

Part No.	Block	Part No.	Block	Part No.	Block	Part No.	Block
17618-371-000	F- 6	18359-961-000	F- 7	22000		23421-NF4-000	E- 8
17624-430-000	F- 6	18360-NF4-000	F- 7			23421-NF4-780	E- 8
17625-NF4-003	F- 6	18361-NF4-770	F- 7	22100-NF4-770	E- 5	23421-NF4-810	E- 8
17629-NF4-000	F- 6	18421-MK3-000	F-13	22120-NF4-750	E- 5	23421-NF4-850	E- 8
17910-NF4-000	F- 1			22120-NF4-780	E- 5	23421-NF4-870	E- 8
17910-NF4-780	F- 1			22201-NF4-000	E- 5	23421-NF4-880	E- 8
		19000		22203-NF4-761	E- 5	23422-GB4-770	E- 8
				22321-KF0-000	E- 5	23431-NF4-750	E- 8
18000		19010-NF4-771	F-13	22351-NF4-760	E- 5	23431-NF4-780	E- 8
		19010-NF4-781	F-13	22352-KA4-000	E- 5	23431-NF4-850	E- 8
18221-NF4-760	E- 1	19045-MB0-702	F-13	22401-KA3-710	E- 5	23431-NF4-870	E- 8
18305-NF4-750	F- 7	19051-NF4-000	F-13	22810-KS6-700	E- 6	23431-NF4-880	E- 8
18305-NF4-780	F- 7	19052-NF4-770	F-13	22815-KS6-700	E- 6	23431-NF4-910	E- 8
18306-NF4-750	F- 7	19053-NF4-770	F-13	22850-KZ4-000	E- 5	23432-NF4-750	E- 8
18306-NF4-780	F- 7	19112-NF4-770	F-13	22870-NF4-000	F- 1	23441-NF4-000	E- 8
18307-NF4-770	F- 7	19114-MF9-000	F-14			23441-NF4-780	E- 8
18307-NF4-780	F- 7	19215-KA3-740	E- 4			23441-NF4-850	E- 8
18310-NF4-720	F- 7	19221-KS6-700	E- 4	23000		23442-NF4-850	E- 8
18310-NF4-770	F- 7	19222-KS6-700	E- 4			23443-NF4-850	E- 8
18310-NF4-780	F- 7	19229-KS6-880	E- 4	23210-NF4-760	E- 8	23444-NF4-850	E- 8
18325-NF4-770	F- 7	19240-KS6-700	E- 4	23210-NF4-850	E- 8	23445-NF4-850	E- 8
18325-NF4-780	F- 7	19240-NF4-780	E- 4	23210-NF4-860	E- 8	23446-NF4-850	E- 8
18330-NF4-721	F- 7	19501-NF4-000	E- 4	23210-NF4-880	E- 8	23447-NF4-850	E- 8
18330-NF4-771	F- 7	19502-NF4-000	F-13	23221-NF4-760	E- 8	23448-NF4-850	E- 8
18331-NF4-760	E- 1	19503-NF4-750	F-13	23225-ND4-000	E- 8	23451-NF4-010	E- 8
18331-NF4-780	E- 1	19506-KS6-700	F- 4	23411-NF4-750	E- 8	23451-NF4-780	E- 8
18332-KS6-000	F- 7	19517-MB6-000	E- 4	23411-NF4-780	E- 8	23451-NF4-850	E- 8
18332-NF5-760	F- 7		F-13	23411-NF4-850	E- 8	23451-NF4-860	E- 8
18333-ND4-760	F- 7	19601-NF4-750	F-13	23411-NF4-860	E- 8	23456-KA3-000	E- 8
18333-NF4-770	F- 7	19602-NF4-810	F- 6	23411-NF4-870	E- 8	23461-NF4-000	E- 8
18336-KS6-700	F- 7	19615-GJ5-000	F-14	23411-NF4-880	E- 8	23461-NF4-780	E- 8
18336-NF5-761	F- 7			23411-NF4-910	E- 8	23461-NF4-850	E- 8
18355-NF4-770	F- 7			23412-NF4-750	E- 8		

'90—'91-RS125R PART NO. INDEX

Part No.	Block	Part No.	Block	Part No.	Block	Part No.	Block
23461-NF4-860	E- 8	24324-KA3-740	E- 9	31000		37260-NF4-770	F-14
23461-NF4-870	E- 8	24326-360-000	E- 9			37260-NF4-780	F-14
23461-NF4-880	E- 8	24328-KS6-700	E- 9	31100-NF4-771	E- 2	37460-NF4-030	F-14
23471-NF4-760	E- 8	24329-KA3-740	E- 9	31100-NF4-781	E- 2		
23471-NF4-850	E- 8	24430-KA3-740	E- 9	31110-NF4-771	E- 2		
23471-NF4-860	E- 8	24435-NF4-760	E- 9	31110-NF4-781	E- 2	40000	
23472-ND4-000	E- 8	24610-KS6-700	E- 9	31120-NF4-771	E- 2		
23481-NF4-760	E- 8	24651-KV3-000	E- 9	31901-NF4-771	E- 1	40530-NF4-751	F-11
23481-NF4-850	E- 8	24700-NF4-770	F-11	31902-NF4-871	E- 1	40530-NF4-761	F-11
23481-NF4-860	E- 8	24700-NF4-780	F-11	31903-NF4-871	E- 1	40531-NF4-751	F-11
23491-NF4-000	E- 8	24702-NF4-770	F-11	31910-NF4-000	E- 1	40531-NF4-761	F-11
23491-NF4-780	E- 8	24706-NF4-760	F-11			40532-NF4-751	F-11
23491-NF4-850	E- 8	24711-NC8-000	F-11			40533-NF4-751	F-11
23501-NF4-000	E- 8	24712-NC8-000	F-11	32000		40534-NF4-751	F-11
23501-NF4-780	E- 8					40535-NF4-751	F-11
23501-NF4-850	E- 8			32110-NF4-000	E- 6	40535-NF4-761	F-11
23802-NF4-910	E- 8	28000		32114-NF4-780	F-12	40543-KJ1-700	F-11
23803-NF4-750	E- 8					40543-NF4-000	F-11
23804-NF4-910	E- 8	28237-NF4-770	E- 5			40544-KJ1-700	F-11
				33000			
24000		30000		33712-KC5-003	F-13	41000	
24211-NF4-770	E- 9	30400-NF4-771	F-14			41102-NF4-760	F- 8
24221-NF4-770	E- 9	30400-NF4-780	F-14	35000		41103-NF4-760	F- 8
24231-NF4-770	E- 9	30407-MF2-000	F- 2			41104-NF4-760	F- 8
24265-KA3-760	E- 9	30500-ND4-762	F-12	35130-NF4-000	F- 1	41105-NF4-760	F- 8
24266-KA3-760	E- 9	30500-NF4-780	F-12			41106-NF4-760	F- 8
24311-NF4-760	E- 9	30501-NF4-780	F-12			41107-NF4-760	F- 8
24312-KA3-741	E- 9	30700-KM9-153	F-12	37000		41108-NF4-760	F- 8
24315-HA0-000	E- 9					41109-NF4-760	F- 8
24320-KS6-700	E- 9			37250-NF4-771	F-14	41110-NF4-760	F- 8
24322-HA0-000	E- 9						

'90—'91-RS125R PART NO. INDEX

Part No.	Block	Part No.	Block	Part No.	Block	Part No.	Block
42000		43503-NF4-000	F- 9	45513-MB4-673	F- 4	50810-NF4-770	F-14
		43541-ND5-750	F- 9	45517-166-006	F- 4	50810-NF4-780	F-14
42301-NF4-000	F- 8			45518-MB4-671	F- 4	50811-NF4-770	F-14
42304-NF4-770	F- 8			45520-MA5-672	F- 4	50815-NF5-710	F-14
42305-NF4-750	F- 9	44000		45530-MN9-305	F- 4		
42600-NF4-780	F- 8			45530-NF4-760	F- 4		
42615-ND5-750	F- 8	44301-NF4-770	F- 3			51000	
42616-NF4-000	F- 8	44303-NF4-000	F- 3				
42617-NF4-770	F- 8	44600-NF4-770	F- 3	46000		51400-NF4-771	F- 5
42618-NF4-000	F- 8	44600-NF4-780	F- 3				F- 5-1
42619-NF4-000	F- 8	44620-NF4-000	F- 3	46182-500-013	F- 9	51400-NF4-781	F- 5
42620-NF4-770	F- 8	44711-NF4-783	F- 3	46500-NF4-770	F-10		F- 5-1
42704-NF5-710	F- 3	44711-NF4-771	F- 3	46500-NF4-780	F-10	51401-NF4-771	F- 5
	F- 8			46501-ND4-750	F-10		F- 5-1
42711-NF4-783	F- 8				F-11	51401-NF4-781	F- 5
42711-NF4-771	F- 8	45000					F- 5-1
42720-NC8-000	F- 3					51402-NF4-771	F- 5
	F- 8	45105-GM9-743	F- 9	50000			F- 5-1
42721-NC8-000	F- 3	45105-NF4-770	F- 4			51403-MA0-771	F- 5
	F- 8	45106-NF4-770	F- 4	50100-NF4-780	F-12		F- 5-1
		45108-GM9-741	F- 9	50184-NF4-750	F-12	51403-NF4-871	F- 5
		45108-ML7-921	F- 4	50200-NF4-000	F-12		F- 5-1
43000		45109-GE2-006	F- 4	50252-NF4-750	F- 5	51403-NF4-881	F- 5
		45120-NF4-771	F- 3		F- 5-1		F- 5-1
43100-NF4-770	F- 9	45120-NF4-871	F- 3	50258-NF4-000	F-12	51404-NF4-871	F- 5
43109-MA3-006	F- 9	45125-NF4-771	F- 4	50383-GK4-630	F-14		F- 5-1
43111-NF4-750	F- 9	45200-NF4-770	F- 4	50500-ND4-750	F-12	51404-NF4-881	F- 5
43122-NF4-770	F- 8	45203-MG3-016	F- 4	50611-NF4-770	F-10		F- 5-1
43209-MA3-006	F- 9		F- 9	50630-NF4-770	F-10	51410-NF4-771	F- 5
43310-NF4-781	F- 9	45209-GE2-006	F- 4	50640-NF4-770	F-10		F- 5-1
43352-568-003	F- 4	45215-GE2-006	F- 9	50642-NF4-770	F-10	51410-NF4-781	F- 5
43353-461-771	F- 4	45215-ML7-922	F- 4	50643-NF4-770	F-10		F- 5-1
43500-NF4-770	F- 9	45500-NF4-770	F- 4	50803-ND4-750	F-14		

'90—'91-RS125R PART NO. INDEX

Part No.	Block	Part No.	Block	Part No.	Block	Part No.	Block
51412-422-003	F- 5		F- 5-1	52422-NF5-952	F-11	53175-MJ4-006	F- 4
51412-NF4-771	F- 5-1	51500-NF4-781	F- 5	52452-GC4-831	F- 5	53176-MJ4-016	F- 4
	F- 5		F- 5-1		F- 5-1	53177-KV0-006	F- 4
51414-469-003	F- 5-1	51521-NF4-771	F- 5	52455-NF4-781	F- 5	53178-399-700	F- 1
	F- 5		F- 5-1		F- 5-1	53179-MJ4-016	F- 4
51415-KL4-951	F- 5			52459-GC4-003	F- 5	53192-KA3-700	F- 1
	F- 5-1	52000			F- 5-1	53200-NF4-770	F- 2
51415-NF4-781	F- 5			52459-NF4-781	F- 5	53200-NF4-870	F- 2
	F- 5-1	52100-NF4-770	F-11		F- 5-1	53214-371-010	F- 2
51421-NF4-771	F- 5	52100-NF4-780	F-11	52469-NC8-000	F-11	53214-430-003	F- 2
	F- 5-1	52146-NF4-000	F-11	52486-ND9-000		53229-KN5-650	F- 2
51430-NF4-781	F- 5	52158-HB5-003	F-10			53230-NF4-770	F- 2
	F- 5-1	52159-467-000	F-10	53000		53230-NF4-870	F- 2
51432-NF4-771	F- 5	52170-NF4-770	F-11			53700-NF4-771	F- 2
	F- 5-1	52400-NF4-771	F- 5	53105-NF4-770	F- 1		
51432-NF4-781	F- 5		F- 5-1	53111-NF4-770	F- 1	61000	
	F- 5-1	52400-NF4-781	F- 5	53112-NF4-770	F- 1		
51435-NF4-781	F- 5		F- 5-1	53122-NF4-770	F- 1	61100-NF4-770	F- 2
	F- 5-1	52401-NF4-771	F- 5	53141-NF4-003	F- 1	61103-430-000	F- 7
51437-461-003	F- 5		F- 5-1	53165-422-000	F- 1		
	F- 5-1	52401-NF4-781	F- 5	53166-422-000	F- 1		
51437-NF4-771	F- 5		F- 5-1	53167-KS6-000	F- 1	64000	
	F- 5-1	52402-NF4-871	F- 5	53168-KS6-000	F- 1		
51440-NF4-771	F- 5		F- 5-1	53169-KZ4-000	F- 1	64100-NF4-770	F-14
	F- 5-1	52402-NF4-881	F- 5	53170-MJ4-006	F- 4	64101-NF4-770	F-14
51447-KL4-951	F- 5		F- 5-1	53171-MJ4-006	F- 4	64105-NF4-000	F- 5
	F- 5-1	52403-NF4-871	F- 5	53172-430-003	F- 1		F- 5-1
51450-NF4-771	F- 5		F- 5-1	53172-MJ4-006	F- 4		F- 6
	F- 5-1	52403-NF4-881	F- 5	53173-376-000	F- 1		F-14
51455-NF4-781	F- 5		F- 5-1	53173-MJ4-006	F- 4	64109-ND5-750	F-14
	F- 5-1	52420-NF4-781	F- 5	53174-463-770	F- 4	64110-NF4-760	F-14
51500-NF4-771	F- 5		F- 5-1	53174-MJ4-006	F- 4		

'90—'91-RS125R PART NO. INDEX

Part No.	Block	Part No.	Block	Part No.	Block	Part No.	Block
64110-NF4-780	F-14	90107-NF4-003	F- 5		F- 8	90475-425-000	F- 9
64210-NF4-770	F-14		F- 5-1	90305-MC0-003	F-11	90481-430-000	E- 5
64240-NF4-000	F-14	90108-NF4-000	F- 4	90306-NF5-003	F- 5	90501-KA3-741	E- 8
		90113-HB3-000	F-10		F- 5-1	90501-NF4-750	F-12
		90113-ND5-761	F- 3	90309-428-731	F- 7	90502-NF4-760	F-12
77000		90114-310-000	F- 1		F-10	90503-428-870	F- 2
		90114-MA5-671	F- 4	90310-NF4-000	F-14	90506-430-000	F- 7
77101-NF4-770	F- 6	90116-383-721	F- 5	90321-KF0-000	F- 1	90506-NF4-000	F-12
77101-NF4-780	F- 6		F- 5-1	90401-430-000	E- 6	90510-NF4-770	F-10
77105-NF4-750	F- 6	90116-KV3-701	F- 5	90401-NF4-780	E- 5	90543-273-000	E- 1
77220-NF4-760	F- 6		F- 5-1	90404-NF4-881	F- 5		E- 3
77221-NF5-760	F- 6	90117-NF4-780	F-12		F- 5-1		E- 4
77238-MR7-300	F- 6	90121-NF4-003	F-11	90405-HA0-000	F- 6		F- 5
		90134-ND5-000	E- 3	90408-NF4-000	F- 8		F- 5-1
			F-12	90409-NF4-000	F- 8		F-12
80000		90145-MS9-611	F- 4	90428-958-000	E- 9	90544-283-000	F- 5
			F- 9	90432-428-000	E- 5		F- 5-1
80100-NF4-760	F-12	90145-NN0-000	F- 4	90435-HB3-000	E- 9	90545-300-000	F- 4
		90178-NC8-000	F-10	90437-611-000	E- 2		F- 9
		90201-415-000	F- 4	90441-422-000	E- 1	90601-360-000	E- 8
90000		90201-KV3-700	F-11	90441-HA2-670	E- 5	90602-360-000	E- 8
		90235-KA4-000	E- 5	90441-KS6-700	E- 6	90651-NC8-000	F- 1
90001-NF4-760	E- 6	90301-473-003	F- 7	90443-107-000	E- 1		F- 4
90013-430-000	E- 5		F-10	90443-GC8-000	F- 6		F- 6
90015-KS6-700	E- 4		F-11	90446-357-000	E- 8		F- 9
90016-KS6-700	E- 4		F-14	90447-KE1-000	E- 4		F-12
90016-ML3-680	E- 4	90301-MG8-000	F-12	90452-115-000	E- 8		F-13
90022-MG8-000	E- 9	90302-NF4-000	F-12	90452-178-000	E- 8		F-14
90081-NC2-000	E- 6	90304-GA6-003	F- 5	90456-KA4-000	E- 5	90651-NF4-000	F- 3
90103-NF4-000	F-12		F- 5-1	90456-NF4-770	E- 5	90652-ND5-000	F- 4
90105-KR3-000	F- 8		F-12	90456-NF4-780	E- 5		F- 9
90106-NF4-770	F- 6	90304-KA3-710	F- 2	90461-444-000	E- 8		F-12
	F-14	90305-GE8-003	F- 3	90464-444-000	E- 8		

'90—'91-RS125R PART NO. INDEX

Part No.	Block	Part No.	Block	Part No.	Block	Part No.	Block
90652-NF4-000	F- 3	91201-KS6-004	E- 6	93404-06020-00	F- 6		F-11
	F- 8	91201-NF4-781	E- 6		F-11	94102-08000	F- 2
	F-12	91202-KA3-712	E- 6	93404-06020-08	E- 5		F- 9
90653-NC8-000	F-14	91203-KK3-830	E- 6	93500-03006-0A	F- 4		F-10
90654-NC8-000	F-14	91203-KS6-004	E- 6	93500-03006-0H	E- 6		F-12
90655-NC8-000	F-14	91205-166-004	E- 6	93500-03008-0H	E- 6	94102-10000	F-13
		91211-KA3-761	E- 4	93500-03010-0A	F-14	94103-05800	F-12
		91255-MA6-013	F- 5	93500-04012-1A	F- 1	94103-06800	F- 7
91000			F- 5-1	93500-04016-0H	E-10	94109-12000	E- 6
		91301-KR3-003	F- 7	93500-05016-0A	F- 1	94111-03800	E- 6
91001-KA3-711	E- 6	91301-KS6-003	E- 6	93500-05028-0A	E- 6	94111-04000	F- 1
91002-466-008	E- 6	91304-MJ0-003	E- 3	93600-04012-1G	F- 4	94201-25200	F-12
91002-KA4-003	E- 6	91317-381-771	F- 5	93600-06012-0A	E- 6	94201-25300	F-14
91004-430-003	E- 6		F- 5-1	93700-04010-0G	F- 1	94252-10100	F- 6
91007-KA3-740	E- 4	91351-KA3-711	E- 8	93891-06025-07	E- 2		F-13
91008-NF5-761	E- 7	91351-KB7-003	F- 5	93892-04016-18	E-10	94252-12000	F-13
91011-KS6-003	E- 5		F- 5-1			94252-16100	F-14
91011-KS6-004	E- 5		F-11			94301-06100	E- 1
91012-KA3-710	E- 6	91357-964-006	F- 8	94000		94301-08140	E- 3
91022-KA4-740	E- 6						E- 6
91048-NC5-000	F- 9			94001-06200-0S	F-11	94301-10160	E- 6
91052-NF4-000	F- 8	92000		94002-08000-0S	F- 9	94303-04065	E- 1
91053-ND9-000	F- 2				F-11	94510-14000	E- 9
91053-NF4-000	F-12	92101-05028-0A	F-12		F-12	94510-30000	F- 9
91054-ND6-700	F- 2	92900-08032-0E	E- 1	94012-10000-0S	F-12		
91055-NF4-000	F-12	92900-08035-3E	E- 6	94050-06000	F- 1		
91056-NF4-000	F-12	92900-08040-3E	E- 6	94050-08000	E- 1	95000	
91060-NL0-000	F- 2				F- 9		
91074-GC4-831	F-11				F-11	95001-75295-40	F- 6
91080-NC8-300	F-13	93000		94050-12000	E- 2	95002-02070	E-10
	F-14			94101-03000	F-14	95002-02100	F-13
91081-NF4-003	F- 7	93300-06016-0A	E- 9	94101-03800	F- 4	95002-02120	F- 6
91201-148-003	E- 4	93404-06016-00	F- 6	94101-06000	F-10		F- 9

'90—'91-RS125R PART NO. INDEX

Part No.	Block	Part No.	Block	Part No.	Block	Part No.	Block
95002-45000	F- 6	96001-06020-00	F-12	99101-357-1550	E-10		
95003-07012-31	E-10	96001-06022-00	F- 1	99101-357-1580	E-10		
95003-10003-31	F- 6	96001-06028-00	F- 2	99101-357-1600	E-10		
95003-10058-31	F- 6		F- 7	99101-357-1620	E-10		
95003-14023-10	F-13		F-11	99101-357-1650	E-10		
95012-12001	E-14	96001-06032-00	F-14	99101-357-1680	E-10		
95014-62200	F-14	96001-06032-07	E- 3	99101-357-1700	E-10		
95301-08032-00	F- 2	96001-06040-07	E- 3	99101-357-1720	E-10		
95701-06016-00	F- 7	96001-06045-07	E- 6	99101-357-1750	E-10		
	F-13	96001-06050-07	E- 6	99101-357-1780	E-10		
95701-06025-00	F- 4	96001-06075-07	E- 6	99101-357-1800	E-10		
95801-06022-00	F-10	96001-06085-07	E- 6	99101-357-1820	E-10		
	F-11	96100-60030-00	E- 6	99101-357-1850	E-10		
95801-06025-00	F-10	96100-60040-00	E- 6	99101-357-1880	E-10		
	F-11	96140-60030-00	E- 6	99101-357-1900	E-10		
95801-08022-08	F- 7	96140-62020-10	F- 3	99101-357-1920	E-10		
95801-08025-00	F-10		F- 8	99101-357-1950	E-10		
95801-08028-00	F-12	96150-60030-10	F-12	99101-357-1980	E-10		
95801-08032-08	F- 7	96211-09000	E- 5	99101-357-2000	E-10		
95801-08035-00	F- 1	96220-40080	E- 4	99101-357-2050	E-10		
	F- 2		E- 9	99103-437-0450	E-10		
	F- 9	96300-06018-00	E- 2	99103-437-0480	E-10		
95801-08045-00	F-12	96300-06022-00	E- 6	99103-437-0500	E-10		
95801-10040-00	F- 5	96300-08020-07	E- 8				
	F- 5-1	96300-08040-00	F- 5				
95801-10050-00	F- 5		F- 5-1				
	F- 5-1	96700-06016-17	F- 7				
96000		99000					
96001-06010-07	E- 4	99101-357-1500	E-10				
	E- 1	99101-357-1520	E-10				

HRP
HONDA RACING