



**PARTS LIST**

**'92-RS125R**





'91 · '92 RS125R PARTS LIST

CONTENTS

**INSTRUCTION FOR USE OF PARTS LIST**..... 3

**ENGINE GROUP**

E- 1 Cylinder · Cylinder head ('91 · '92 RS125R) ..... 4

E- 2 L. crankcase cover · A.C. generator ('91 · '92 RS125R) ..... 5

E- 3 R. crankcase cover ('91 · '92 RS125R)..... 6

E- 4 Water pump ('91 · '92 RS125R)..... 7

E- 5 Clutch ('91 · '92 RS125R) ..... 8

E- 6 Crankcase ('91 · '92 RS125R) ..... 9

E- 7 Piston · Crankshaft ('91 · '92 RS125R)..... 11

E- 8 Transmission ('91 · '92 RS125R)..... 12

E- 9 Gear shift drum ('91 · '92 RS125R) ..... 14

E-10 Carburetor ('91 · '92 RS125R) ..... 15

**FRAME GROUP**

F- 1 Steering handle · Cable ('91 · '92 RS125R) ..... 17

F- 2 Steering stem · Steering damper · Front fender ('91 · '92 RS125R)..... 18

F- 3 Front wheel ('91 · '92 RS125R)..... 19

F- 4 Front caliper · Master cylinder ('91 · '92 RS125R)..... 20

F- 5 Front fork · Rear cushion ('91 · '92 RS125R)..... 22

F- 6 Fuel tank · Seat ('91 · '92 RS125R)..... 24

F- 7 Expansion chamber ('91 · '92 RS125R) ..... 25

F- 8 Rear wheel ('91 · '92 RS125R)..... 26

F- 9 Rear brake · Rear master cylinder ('91 · '92 RS125R)..... 27

F-10 Step · Brake pedal ('91 · '92 RS125R)..... 28

F-11 Change pedal · Rear fork ('91 · '92 RS125R)..... 29

F-12 Ignition coil · Frame body ('91 · '92 RS125R) ..... 31

F-13 Radiator ('91 · '92 RS125R) ..... 32

F-14 Tachometer · Cowling ('91 · '92 RS125R)..... 33

**INDEX**..... 34

**INDEX**

**FOREWORD INDEX**

**1**

**ENGINE GROUP**

**2**

**FRAME GROUP**

**3**

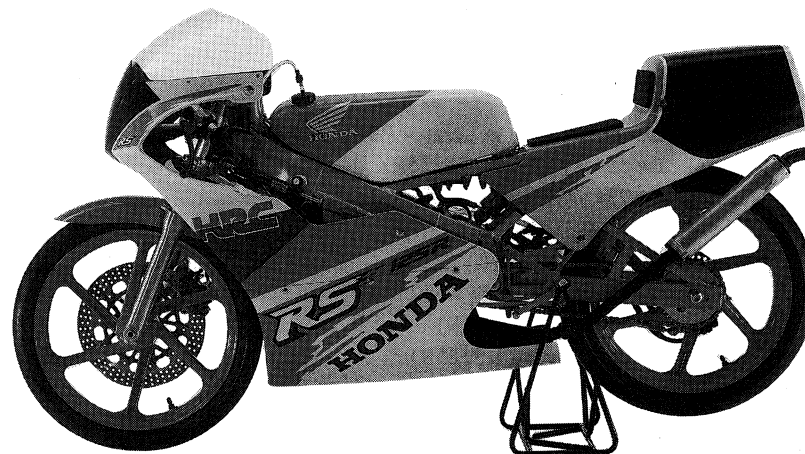
**INDEX**

**4**

1



**'91 MODEL**  
 ( RS125RF-9110001~  
 RS125RE-9110001~ )



**'92 MODEL**  
 ( RS125RF-9210001~  
 RS125RE-9210001~ )

NOTE) Picture and illustration may differ from actual vehicle.

注) 写真及びイラストは、実車と異なる場合があります。

No part of this publication may be reproduced without written permission.

## HONDA RACING CORPORATION

**Head Office**/Nobidome 8-18-4, Niiza-shi, Saitama-ken, Japan  
 TEL.0484-81-2511 TELEX.2962-752 HRC-J TELFAX.0484-77-6361  
**European Office**/Wijngaardveld 1,9300 Aalst, Belgium  
 TEL.053-78-6131 TELEX.11063 HRCE B TELFAX.053-77-5767

## 株式会社 ホンダレーシング

〒352 埼玉県新座市野火止8丁目18番4号 TEL .0484-81-2511  
 営業ブロック直通 TEL .0484-77-9538 FAX .0484-78-7531

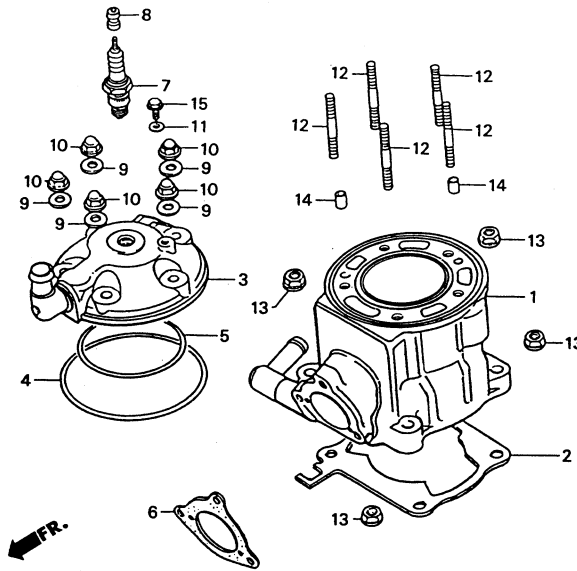
不許複製



Block No.

**E-1**

**Cylinder • Cylinder head  
'91 RS125R  
'92 RS125R**



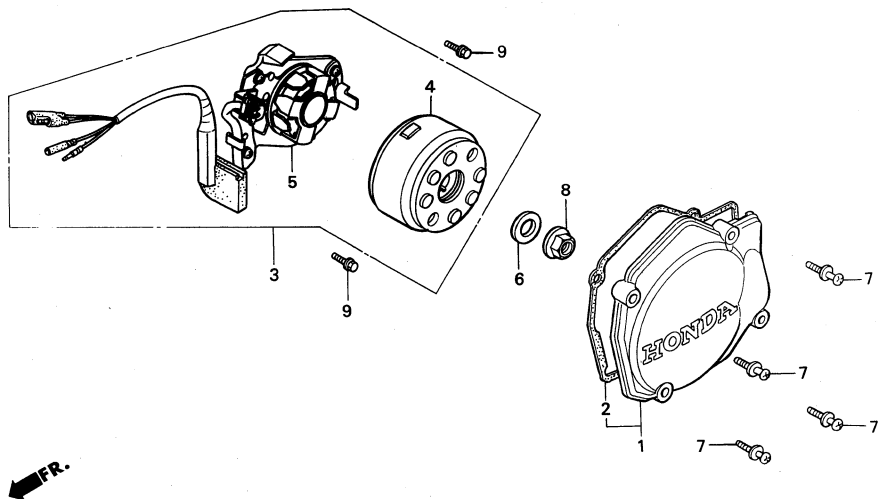
2

Ref. No.	Part No.	Description	Reqd. No.		Remarks	Ref. No.	Part No.	Description	Reqd. No.		Remarks
			'91	'92					'91	'92	
• 1	12100-NF4-610	CYLINDER COMP .....	—	1							
•	12100-NF4-780	CYLINDER COMP .....	1	—							
• 2	12191-KS6-880	GASKET, cylinder .....	1	—							
•	12191-NF4-610	GASKET, cylinder .....	—	1							
• 3	12200-NF4-610	HEAD COMP., cylinder .....	—	1							
•	12200-NF4-780	HEAD COMP., cylinder .....	1	—							
• 4	12212-ND5-003	O-RING, 96 x 2.4 .....	1	1							
• 5	12213-ND5-000	O-RING, 61 x 1.9 .....	1	1							
• 6	18331-NF4-780	GASKET, exhaust joint .....	1	1							
• 7	31901-NF4-772	SPARK PLUG 10.5 .....	1	1							
•	31902-NF4-872	SPARK PLUG 11 .....	(1)	(1)							
•	31903-NF4-872	SPARK PLUG 10 .....	(1)	(1)							
• 8	31910-NF4-000	NUT, spark plug .....	(1)	(1)							
• 9	90441-422-000	WASHER, sealing 8 mm .....	5	5							
• 10	90443-107-000	NUT, cap, 8 mm .....	5	5							
• 11	90543-273-000	PACKING, front fork drain cock .....	1	1							
• 12	92900-08032-0E	BOLT, stud 28 x 32 .....	5	5							
• 13	94050-08000	NUT, flange, 8 mm .....	4	4							
• 14	94301-06100	PIN, dowel, 6 x 10 .....	2	2							
• 15	96001-06010-07	BOLT, flange, SH, 6 x 10 .....	1	1							

Block No.

**E-2**

**L. crankcase cover •**  
**'91 RS125R**  
**'92 RS125R**



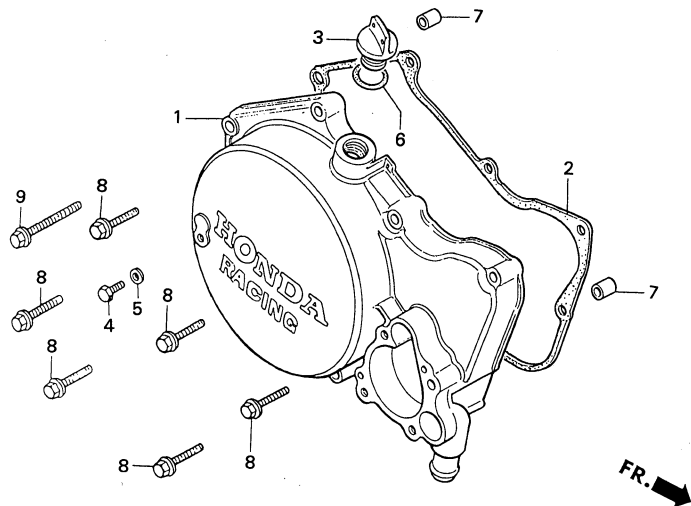
Ref. No.	Part No.	Description	Reqd. No.		Remarks	Ref. No.	Part No.	Description	Reqd. No.		Remarks
			'91	'92					'91	'92	
1	11350-KS6-701	COVER ASSY, L case .....	1	1							
2	11352-KS6-700	SEAL, L cover .....	1	1							
• 3	31100-NF4-781	AC. GENERATOR ASSY. ....	1	1							
• 4	31110-NF4-781	FLYWHEEL COMP .....	1	1							
• 5	31120-NF4-771	STATOR COMP .....	1	1							
6	90437-611-000	WASHER, plain, 12 mm .....	1	—							
• 7	90437-NF5-710	WASHER, plain, 12 mm .....	—	1							
7	93891-06025-07	SCREW WASHER, 6 x 25 .....	4	4							
8	94050-12000	NUT, flange, 12 mm .....	1	1							
9	96300-06018-00	BOLT, flange, DR 6 x 18 .....	2	2							

**2**

Block No.

### E-3

R. crankcase cover  
'91 RS125R  
'92 RS125R



2

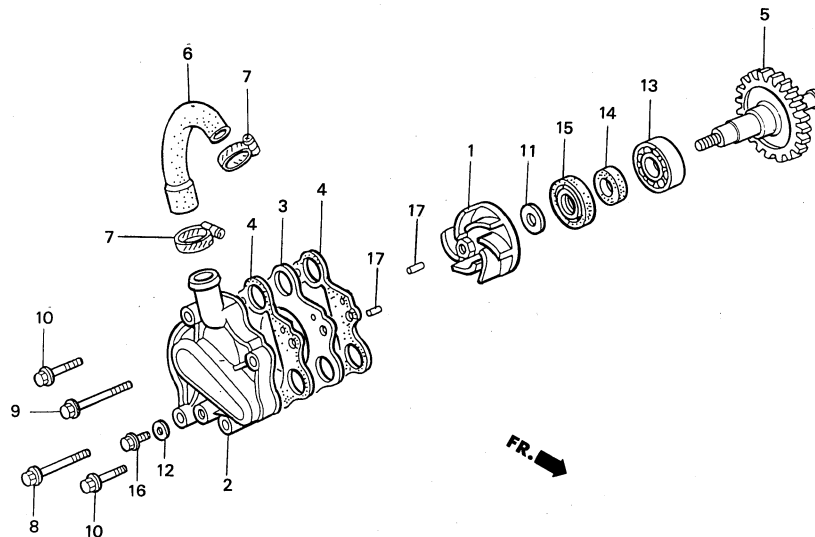
Ref. No.	Part No.	Description	Reqd. No.		Remarks	Ref. No.	Part No.	Description	Reqd. No.		Remarks
			'91	'92					'91	'92	
• 1	11340-NF4-780	COVER COMP., R. crank case .....	1	1							
• 2	11394-NF4-610	GASKET, R. cover .....	1	1							
• 3	15611-ND5-000	CAP, oil filler .....	1	1							
• 4	90134-ND5-000	BOLT, flange, 6 x 10 .....	1	1							
5	90543-273-000	PACKING, front fork drain cock .....	1	1							
6	91304-MJ0-003	O-RING, .....	1	1							
7	94301-08140	PIN, dowel, 8 x 14 .....	2	2							
8	96001-06032-07	BOLT, flange, SH, 6 x 32 .....	6	6							
9	96001-06040-07	BOLT, flange, SH, 6 x 40 .....	1	1							



Block No.

**E-4**

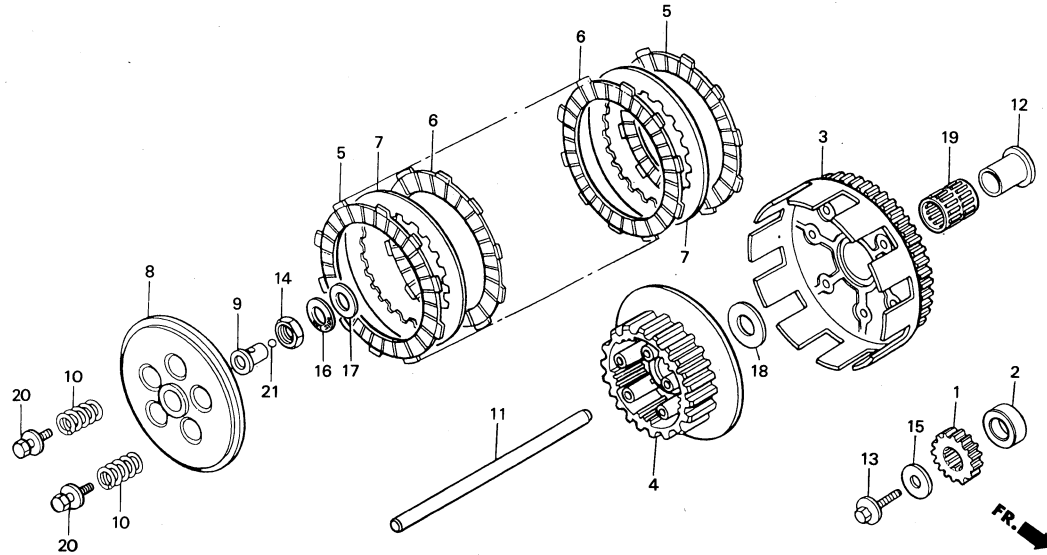
**Water pump  
'91 RS125R  
'92 RS125R**



Ref. No.	Part No.	Description	Reqd. No. '91	Reqd. No. '92	Remarks	Ref. No.	Part No.	Description	Reqd. No. '91	Reqd. No. '92	Remarks
1	19215-KA3-740	IMPELLER, water pump .....	1	1							
2	19221-KS6-700	COVER, water pump .....	1	1							
3	19222-KS6-700	SEPARATER, water pump .....	1	1							
4	19229-KS6-880	GASKET, water pump .....	2	2							
• 5	19240-NF4-610	SHAFT COMP., water pump .....	—	1							
•	19240-NF4-781	SHAFT COMP., water pump .....	1	—							
• 6	19501-NF4-000	HOSE, water .....	1	1							
7	19517-MB6-000	CLAMP B, water hose .....	2	2							
8	90015-KS6-700	BOLT, flange, 6 x 75 .....	1	1							
9	90016-KS6-700	BOLT, flange, 6 x 80 .....	1	1							
10	90016-ML3-680	BOLT, flange, SH, 6 x 30 .....	2	2							
11	90447-KE1-000	WASHER, sealing 7 mm .....	1	1							
12	90543-273-000	PACKING, front fork drain cock .....	1	1							
13	91007-KA3-740	BEARING BALL, 12 x 24 x 6 .....	1	1							
14	91201-148-003	OIL SEAL, 12 x 22 x 5 .....	1	—							
	91201-965-000	OIL SEAL, 12 x 22 x 5 .....	—	1							
15	91211-KA3-761	SEAL, water pump .....	1	1							
16	96001-06010-07	BOLT, flange, SH, 6 x 10 .....	1	1							
17	96220-40080	ROLLER, 4 x 8 .....	2	2							

Block No.

**E-5**  
**Clutch**  
**'91 RS125R**  
**'92 RS125R**

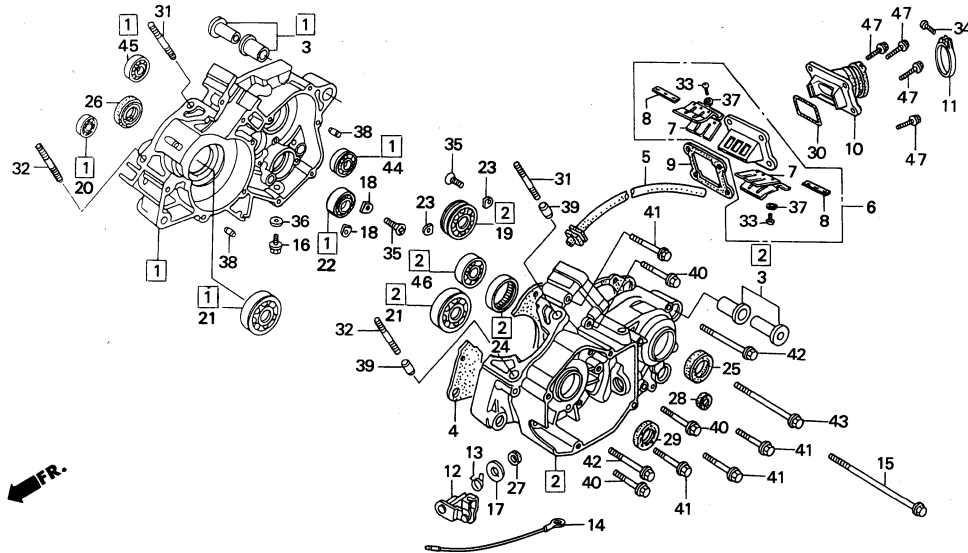


Ref. No.	Part No.	Description	Reqd. No. '91	Reqd. No. '92	Remarks	Ref. No.	Part No.	Description	Reqd. No. '91	Reqd. No. '92	Remarks
• 1	13615-NF4-610	GEAR, primary drive .....	—	1		20	93404-06020-08	BOLT-WASHER, 6 x 20 .....	5	5	
•	13615-NF4-780	GEAR, primary drive .....	1	—		21	96211-09000	BALL, steel, #9 .....	1	1	
• 2	13617-NF4-780	COLLAR, driver gear .....	1	1							
• 3	22100-NF4-770	OUTER COMP., clutch .....	1	1							
• 4	22120-NF4-780	CENTER, clutch .....	1	1							
• 5	22201-NF4-000	DISK A, clutch friction .....	2	2							
• 6	22203-NF4-761	DISK C, clutch friction .....	5	5							
• 7	22321-KF0-770	PLATE, clutch .....	6	6							
• 8	22351-NF4-760	PLATE, clutch pressure .....	1	1							
• 9	22352-KA4-000	PIECE, clutch lifter .....	1	1							
• 10	22401-KA3-710	SPRING, clutch .....	5	5							
• 11	22850-KZ4-000	ROD, clutch lifter .....	1	1							
• 12	28237-NF4-770	COLLAR, distance, 20 x 25 x 25.5 .....	1	1							
• 13	90013-430-000	BOLT, SPECIAL, 10 x 25 .....	1	1							
• 14	90235-KA4-000	NUT, hex., 18 mm .....	1	1							
• 15	90401-NF4-780	WASHER, 10 x 30 x 3.5 .....	1	1							
• 16	90432-428-000	WASHER, lock .....	1	1							
• 17	90456-KA4-000	WASHER, thrust, 18 x 32 .....	1	1							
• 18	90456-NF4-780	WASHER, thrust, 20 mm .....	1	1							
• 19	91011-KS6-003	BEARING, needle, 25 x 29 x 22 .....	1	1							

Block No.

**E-6**

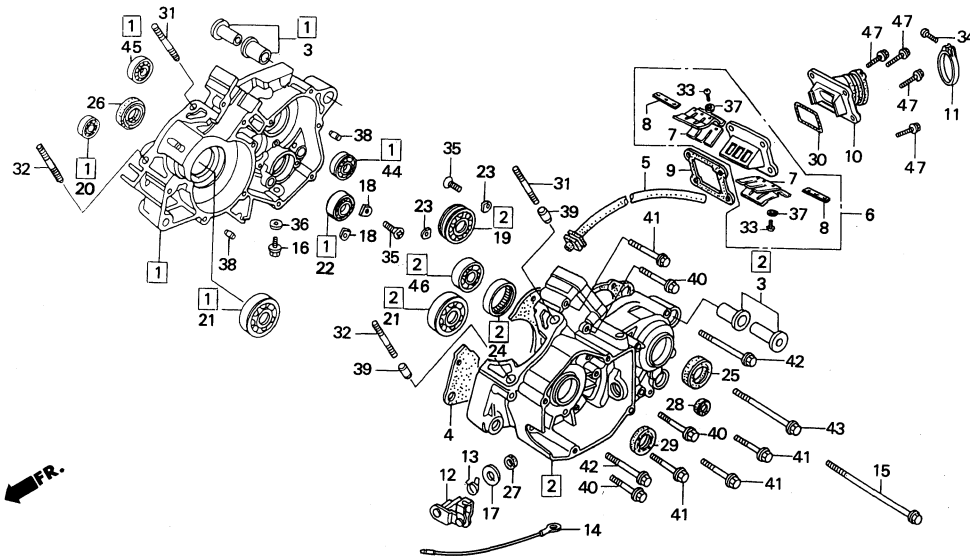
**Crankcase  
'91 RS125R  
'92 RS125R**



Ref. No.	Part No.	Description	Reqd. No. '91	Reqd. No. '92	Remarks	Ref. No.	Part No.	Description	Reqd. No. '91	Reqd. No. '92	Remarks
• 1	11010-NF4-780	CRANKCASE ASSY., R .....	1	1		19	91001-KA3-711	BRG., ball, 6204 .....	1	1	
• 2	11011-NF4-780	CRANKCASE ASSY., L .....	1	1		20	91002-KA4-003	BRG., ball, 7 x 19 x 6 .....	1	1	
• 3	11012-NF4-750	BUSH SET, rear engine mount .....	2	2		• 21	91002-466-008	BRG., ball, radial, 63/22 .....	2	2	
• 4	11191-KS6-881	GASKET, crankcase .....	1	1		22	91004-430-003	BRG., ball, radial, 6905Z .....	1	1	
• 5	11211-GC4-701	TUBE, breather .....	1	1		23	91012-KA3-710	PLATE, countershaft bearing .....	2	2	
• 6	14100-NF4-611	REED VALVE ASSY., .....	—	1		24	91022-KA4-740	BRG., shell, 33 x 38 x 8 .....	1	1	
•	14100-NF4-780	REED VALVE ASSY., .....	1	—		25	91201-KS6-004	OIL-SEAL, 26 x 37 x 7 .....	1	1	
• 7	14111-NF4-780	REED VALVE ONLY .....	2	2		• 26	91201-NF4-781	OIL-SEAL, 30 x 45 x 9 .....	1	1	
• 8	14122-NF4-611	SPACER, reed valve .....	—	2		27	91202-KA3-712	OIL-SEAL, 10 x 17 x 4 .....	1	1	
• 9	14132-NF4-780	GASKET, reed valve .....	1	1		28	91203-KK3-830	OIL-SEAL, 14 x 22 x 5 .....	1	1	
• 10	16220-NF4-780	INSULATOR, carburetor .....	1	1		29	91205-166-004	OIL-SEAL, 20 x 32 x 7 .....	1	1	
11	16223-KA5-690	BAND, insulator .....	1	1		30	91301-KS6-003	O-RING, special .....	1	1	
12	22810-KS6-700	LIFTER COMP., clutch .....	1	1		31	92900-08035-3E	BOLT, stud, (II), 8 x 35 .....	2	2	
13	22815-KS6-700	SPRING, clutch lever .....	1	1		32	92900-08040-3E	BOLT, stud, (II), 8 x 40 .....	2	2	
• 14	32110-NF4-000	SUB CORD, engine .....	1	1		33	93500-03006-0H	SCREW, pan, 3 x 6 .....	6	—	
• 15	90001-NF4-610	BOLT, flange, SH, 6 x 100 .....	—	1			93500-03008-0H	SCREW, pan, 3 x 8 .....	—	6	
•	90001-NF4-760	BOLT, flange, SH, 6 x 100 .....	1	—		34	93500-05028-0A	SCREW, pan, 5 x 28 .....	1	1	
• 16	90081-NC2-000	BOLT, drain, 12 mm .....	1	1		35	93600-06012-0A	SCREW, flat, 6 x 12 .....	4	4	
17	90401-430-000	WASHER, 10.2 mm .....	1	1		36	94109-12000	WASHER, plug, drain, 12 mm .....	1	1	
18	90441-KS6-700	PLATE, bearing hold .....	2	2							

Block No.

**E-6**  
**Crankcase**  
**'91 RS125R**  
**'92 RS125R**



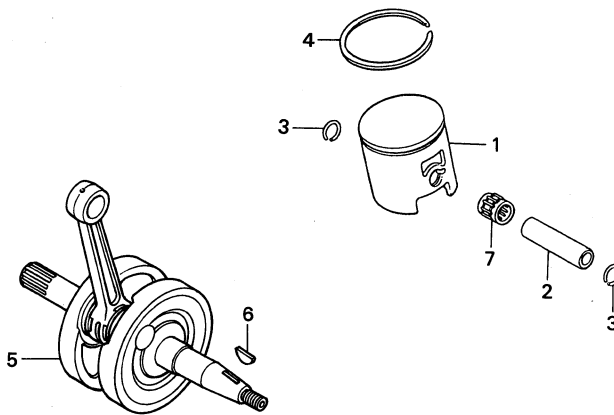
2

Ref. No.	Part No.	Description	Reqd. No. '91	Reqd. No. '92	Remarks	Ref. No.	Part No.	Description	Reqd. No. '91	Reqd. No. '92	Remarks
37	94111-03800	WASHER, spring, 3 mm .....	6	6							
38	94301-08140	PIN, dowel, 8 x 14 .....	2	2							
39	94301-10160	PIN, dowel, 10 x 16 .....	2	2							
40	96001-06045-07	BOLT, flange, SH, 6 x 45 .....	3	3							
41	96001-06050-07	BOLT, flange, SH, 6 x 50 .....	4	4							
42	96001-06075-07	BOLT, flange, SH, 6 x 75 .....	2	2							
43	96001-06085-07	BOLT, flange, SH, 6 x 85 .....	1	1							
44	96100-60030-00	BEARING, ball, radial, 6003 .....	1	1							
45	96100-60040-00	BEARING, ball, radial, 6004 .....	1	1							
46	96140-60030-00	BEARING, ball, radial, 6003U .....	1	1							
47	96300-06022-00	BOLT, flange, DR, 6 x 22 .....	4	4							

Block No.

**E-7**

**Piston • Crankshaft  
'91 RS125R  
'92 RS125R**



FR.

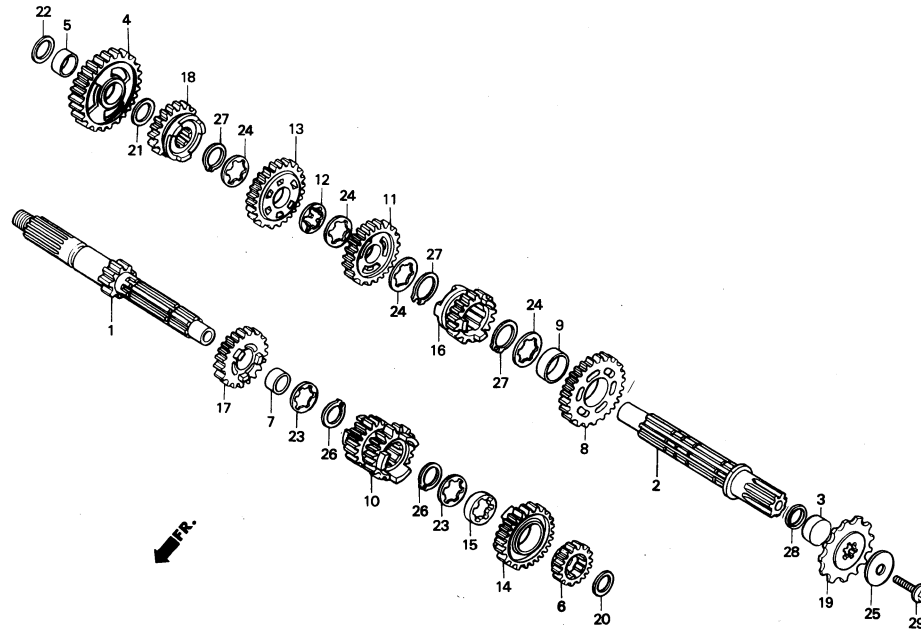
Ref. No.	Part No.	Description	Reqd. No.		Remarks	Ref. No.	Part No.	Description	Reqd. No.		Remarks
			'91	'92					'91	'92	
• 1	13100-NF4-610	PISTON COMP. ....	—	1							
•	13100-NF4-780	PISTON COMP. ....	1	—							
• 2	13111-NF4-780	PIN, piston ....	1	1							
• 3	13112-ML0-720	CLIP, piston, pin ....	2	2							
• 4	13121-NF4-751	RING, piston ....	1	1							
• 5	13300-NF4-780	CRANKSHAFT COMP. ....	1	1							
• 6	13331-360-000	KEY, special woodruff, 25 x 14 ....	1	1							
• 7	91008-NF5-761	BRG., conn-rod, small end ....	1	1							

2

Block No.

# E-8

## Transmission '91 RS125R '92 RS125R



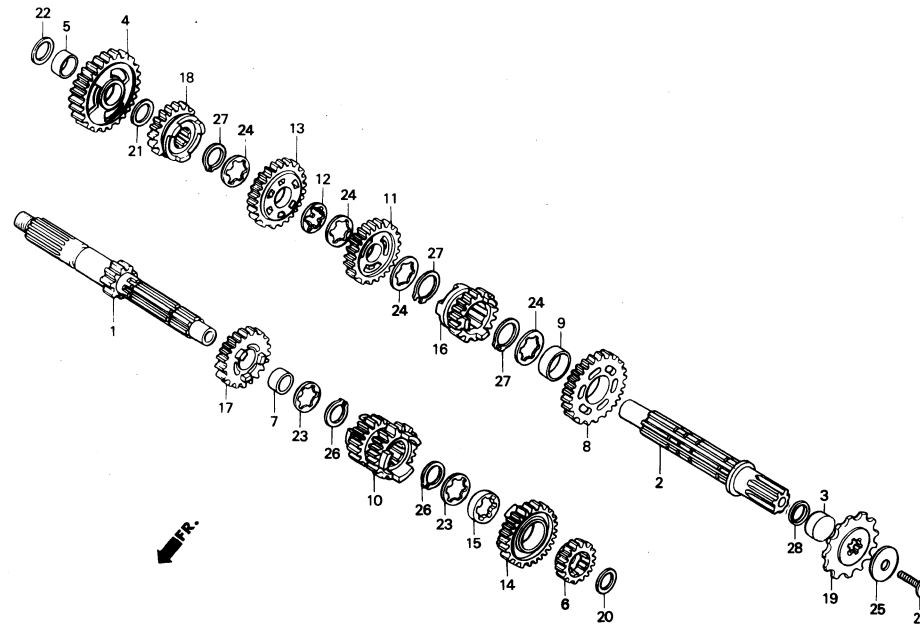
2

Ref. No.	Part No.	Description	Reqd. No. '91	Reqd. No. '92	Remarks	Ref. No.	Part No.	Description	Reqd. No. '91	Reqd. No. '92	Remarks
• 1	23210-NF4-760	SHAFT COMP., main, (17T) .....	1	1		•	23443-NF4-850	GEAR, M-3rd/4th,(P-2), (24T/25T) ....	(1)	(1)	
•	23210-NF4-850	SHAFT COMP., main, P-2, (16T) .....	(1)	(1)		•	23444-NF4-850	GEAR, M-3rd P-2/4th, P-2, (21T/25T) .	(1)	(1)	
•	23210-NF4-860	SHAFT COMP., main, P-3, (18T) ....	(1)	(1)		•	23445-NF4-850	GEAR, M-3rd P-3/4th, P-2, (20T/25T) .	(1)	(1)	
•	23210-NF4-880	SHAFT COMP., main, P-4, (19T) ....	(1)	(1)		•	23446-NF4-850	GEAR, M-3rd/4th(P-3), (24T/23T) .....	(1)	(1)	
• 2	23221-NF4-760	SHAFT, counter .....	1	1		•	23447-NF4-850	GEAR, M-3rd P-2/4th, P-3, (21T/23T) .	(1)	(1)	
• 3	23225-ND4-000	COLLAR, counter shaft .....	1	1		•	23448-NF4-850	GEAR, M-3rd P-3/4th, P-3, (22T/23T) .	(1)	(1)	
• 4	23411-NF4-780	GEAR, C-low, (31T) .....	1	1		•11	23451-NF4-780	GEAR, C-3rd, (31T) .....	1	1	
•	23411-NF4-860	GEAR, C-low, P-2, (32T) .....	(1)	(1)		•	23451-NF4-850	GEAR, C-3rd, P-2, (28T) .....	(1)	(1)	
•	23411-NF4-870	GEAR, C-low, P-3, (30T) .....	(1)	(1)		•	23451-NF4-860	GEAR, C-3rd, P-3, (27T) .....	(1)	(1)	
•	23411-NF4-880	GEAR, C-low, P-4, (36T) .....	(1)	(1)		12	23456-KA3-000	WASHER, lock .....	1	1	
• 5	23412-NF4-750	COLLAR, 17 x 20 x 9 .....	1	1		•13	23461-NF4-780	GEAR, C-4th, (30T) .....	1	1	
• 6	23421-NF4-780	GEAR, M-2nd, (22T) .....	1	1		•	23461-NF4-870	GEAR, C-4th, P-2, (30T) .....	(1)	(1)	
•	23421-NF4-870	GEAR, M-2nd, P-2, (19T) .....	(1)	(1)		•	23461-NF4-880	GEAR, C-4th, P-3, (26T) .....	(1)	(1)	
•	23421-NF4-880	GEAR, M-2nd, P-3, (23T) .....	(1)	(1)		•14	23471-NF4-760	GEAR, M-5th, (27T) .....	1	1	
7	23422-GB4-770	BUSH, 20 x 9 .....	1	1		•	23471-NF4-850	GEAR, M-5th, P-3, (24T) .....	(1)	(1)	
• 8	23431-NF4-780	GEAR, C-2nd, (33T) .....	1	1		•	23471-NF4-860	GEAR, M-5th, P-2, (26T) .....	(1)	(1)	
•	23431-NF4-870	GEAR, C-2nd, P-2, (30T) .....	(1)	(1)		•15	23472-ND4-000	COLLAR, M-5th gear .....	1	1	
•	23431-NF4-880	GEAR, C-2nd, P-3, (32T) .....	(1)	(1)		•16	23481-NF4-760	GEAR, C-5th, (29T) .....	1	1	
• 9	23432-NF4-750	COLLAR, 22 x 25 x 9 .....	1	1		•	23481-NF4-850	GEAR, C-5th, P-3, (25T) .....	(1)	(1)	
•10	23441-NF4-780	GEAR, M-3rd/4th, (24T/26T) .....	1	1		•	23481-NF4-860	GEAR, C-5th, P-2, (29T) .....	(1)	(1)	
•	23441-NF4-850	GEAR, M-3rd(P-2)/4th, (21T/26T) .....	(1)	(1)		•17	23491-NF4-780	GEAR, M-6th, (24T) .....	1	1	
•	23442-NF4-850	GEAR, M-3rd(P-3)/4th, (22T/26T) .....	(1)	(1)							

Block No.

**E-8**

**Transmission  
'91 RS125R  
'92 RS125R**



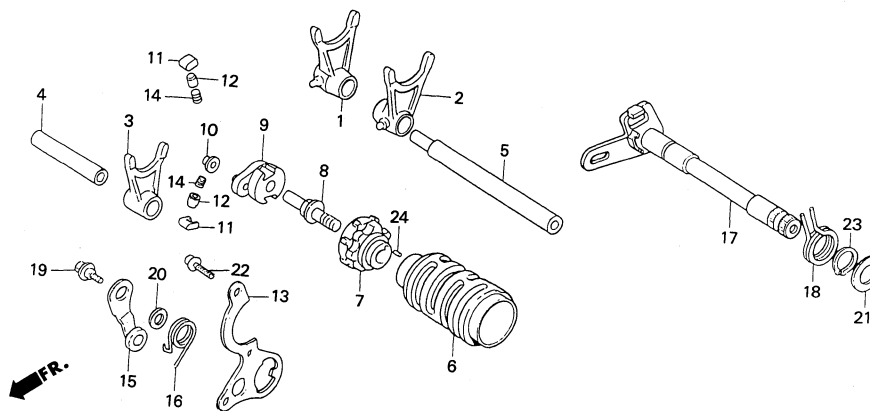
Ref. No.	Part No.	Description	Reqd. No.		Remarks	Ref. No.	Part No.	Description	Reqd. No.		Remarks
			'91	'92					'91	'92	
•	23491-NF4-850	GEAR, M-6th, P-3, (28T) .....	(1)	(1)							
• 18	23501-NF4-780	GEAR, C-6th, (24T) .....	1	1							
•	23501-NF4-850	GEAR, C-6th, P-3, (27T) .....	(1)	(1)							
• 19	23802-NF4-910	SPROCKET, drive (15T) .....	(1)	(1)							
•	23803-NF4-750	SPROCKET, drive (16T) .....	(1)	(1)							
•	23804-NF4-910	SPROCKET, drive (17T) .....	1	1							
20	90446-357-000	WASHER, thrust, 17.2 mm .....	1	1	(t 1.0)						
21	90452-115-000	WASHER, 17 mm .....	1	1	(t 1.0)						
22	90452-178-000	WASHER, thrust, 17 mm .....	1	1	(t 1.5)						
23	90461-444-000	WASHER, spline, 20 mm .....	2	2	(t 1.5)						
24	90464-444-000	WASHER, spline, 22 mm .....	4	4	(t 1.5)						
25	90501-KA3-741	WASHER, spring, 8 x 40 .....	1	1							
26	90601-360-000	SET RING, 20 mm .....	2	2	(t 1.2)						
27	90602-360-000	SET RING, 22 mm .....	3	3	(t 1.2)						
28	91351-KA3-711	O-RING, 20 mm .....	1	1							
29	96300-08020-07	BOLT, flange, DR, 8 x 20 .....	1	1							

2

Block No.

# E-9

## Gear shift drum '91 RS125R '92 RS125R



2

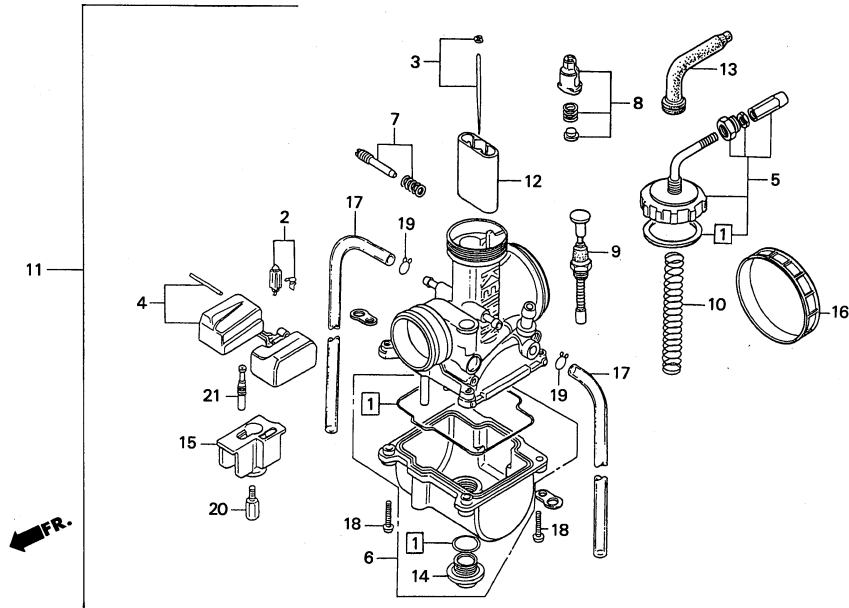
Ref. No.	Part No.	Description	Reqd. No.		Remarks	Ref. No.	Part No.	Description	Reqd. No.		Remarks
			'91	'92					'91	'92	
• 1	24211-NF4-770	FORK, R, gear shift .....	1	1		20	90435-HB3-000	WASHER, 6.1 mm .....	1	1	
• 2	24221-NF4-770	FORK, L, gear shift .....	1	1		21	90428-958-000	WASHER, thrust 14 mm (B) .....	1	1	
• 3	24231-NF4-770	FORK, C, gear shift .....	1	1		22	93300-06016-0A	BOLT, hex., 6 x 16 .....	3	3	
4	24265-KA3-760	SHAFT, shift fork (M) .....	1	1		23	94510-14000	CIRCLIP, external, 14 mm .....	1	1	
5	24266-KA3-760	SHAFT, shift fork (C) .....	1	1		24	96220-40080	ROLLER, 4 x 8 .....	1	1	
• 6	24311-NF4-610	DRUM, gear shift .....	—	1							
• 7	24312-KA3-741	CENTER, shift drum .....	1	1							
8	24315-HA0-000	PIN, shifter .....	1	1							
9	24320-KS6-700	SHIFTER COMP., drum .....	1	1							
10	24322-HA0-000	COLLAR, shifter .....	1	1							
11	24324-KA3-740	PAWL, ratchet .....	2	2							
12	24326-360-000	PLUNGER, pawl .....	2	2							
13	24328-KS6-700	PLATE., guide .....	1	1							
14	24329-KA3-740	SPRING, pawl plunger .....	2	2							
15	24430-KA3-740	STOPPER COMP., drum .....	1	1							
• 16	24435-NF4-760	SPRING, drum stopper .....	1	1							
17	24610-KS6-700	SPINDLE COMP., shift .....	1	1							
18	24651-KV3-000	SPRING, shift return .....	1	1							
19	90022-MG8-000	PIVOT, shift drum stopper arm .....	1	1							



Block No.

# E-10

**Carburetor  
'91 RS125R  
'92 RS125R**



Ref. No.	Part No.	Description	Reqd. No. '91 '92	Remarks	Ref. No.	Part No.	Description	Reqd. No. '91 '92	Remarks
1	16010-KA5-691	GASKET SET .....	1 1		•14	16162-ND4-751	DRAIN BOLT .....	1 1	
2	16011-KA3-741	VALVE SET, float .....	1 1		15	16185-KA3-761	PLATE, buffer .....	1 1	
•3	16012-NF4-780	NEEDLE SET, jet (R1469, JSS) .....	1 1		•16	16196-ND5-761	CAP, rubber .....	1 1	
•	16201-NF4-780	NEEDLE SET, jet (R1466, JSS) .....	(1) (1)		•17	16199-NF5-751	TUBE .....	2 2	
•	16202-NF4-780	NEEDLE SET, jet (R1467, JSS) .....	(1) (1)		18	93892-04016-18	SCREW, washer, 4 x 16 .....	4 4	
•	16203-NF4-780	NEEDLE SET, jet (R1468, JSS) .....	(1) (1)		19	95002-02070	CLIP, B7, tube .....	2 2	
•	16204-NF4-780	NEEDLE SET, jet (R1470, JSS) .....	(1) (1)		20	99101-357-1600	JET, main #160 .....	(1) (1)	
•	16205-NF4-780	NEEDLE SET, jet (R1471, JSS) .....	(1) (1)			99101-357-1620	JET, main #162 .....	(1) (1)	
•	16206-NF4-780	NEEDLE SET, jet (R1472, JSS) .....	(1) (1)			99101-357-1650	JET, main #165 .....	(1) (1)	
4	16013-KA3-741	FLOAT SET .....	1 1			99101-357-1680	JET, main #168 .....	(1) (1)	
5	16014-NF4-781	TOP SET .....	1 1			99101-357-1700	JET, main #170 .....	(1) (1)	
•6	16015-NF4-003	CHAMBER SET, float .....	1 1			99101-357-1720	JET, main #172 .....	(1) (1)	
7	16016-HA2-004	SCREW SET, A .....	1 1			99101-357-1750	JET, main #175 .....	(1) (1)	
•8	16037-NF4-780	SPRING SET, throttle, .....	1 1			99101-357-1780	JET, main #178 .....	(1) (1)	
•9	16046-NF5-751	VALVE SET, starter .....	1 1			99101-357-1800	JET, main #180 .....	(1) (1)	
•10	16050-NF5-710	SPRING, compression coil .....	1 1			99101-357-1820	JET, main #182 .....	(1) (1)	
•11	16100-NF4-780	CARBURETOR ASSY .....	1 1			99101-357-1850	JET, main #185 .....	(1) (1)	
•12	16111-ND5-761	VALVE, throttle, #5.0 .....	1 1			99101-357-1880	JET, main #188 .....	(1) (1)	
•	16112-NF5-710	VALVE, throttle, #4.5 .....	(1) (1)			99101-357-1900	JET, main #190 .....	(1) (1)	
•	16113-NF5-710	VALVE, throttle, #5.5 .....	(1) (1)			99101-357-1920	JET, main #192 .....	(1) (1)	
13	16118-166-004	CAP, cable sealing .....	1 1			99101-357-1950	JET, main #195 .....	1 1	
						99101-357-1980	JET, main #198 .....	(1) (1)	



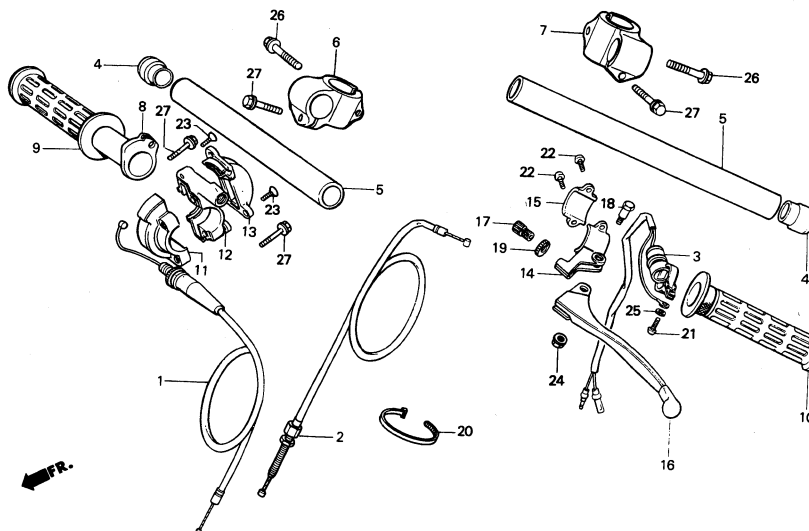
Block No.

**F-1**

**Steering handle • Cable**

'91 RS125R

'92 RS125R

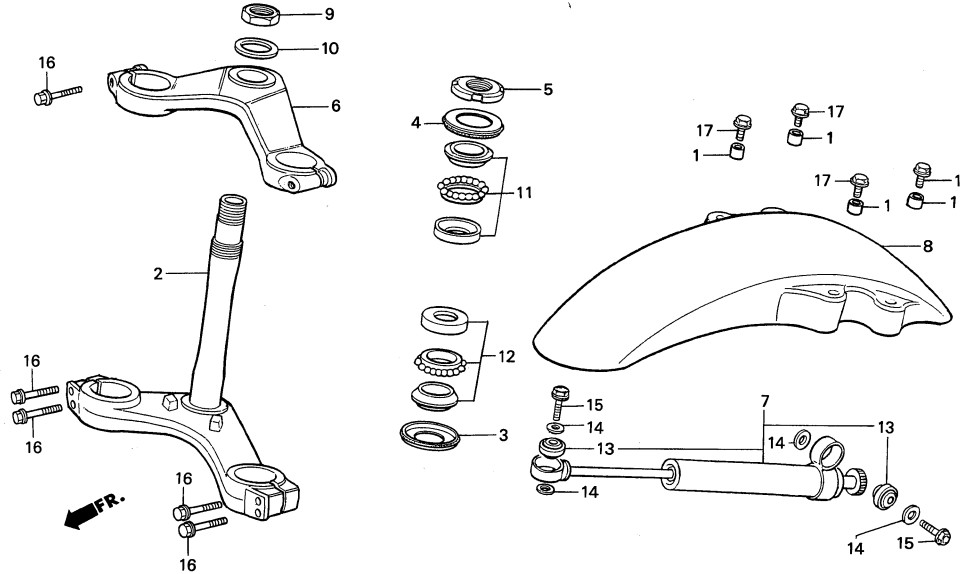


Ref. No.	Part No.	Description	Reqd. No.		Remarks	Ref. No.	Part No.	Description	Reqd. No.		Remarks
			'91	'92					'91	'92	
• 1	17910-NF4-780	CABLE COMP., throttle .....	1	1		21	93500-04012-1A	SCREW, pan, 4 x 12 .....	1	1	
• 2	22870-NF4-000	CABLE COMP., clutch .....	1	1		22	93500-05016-0A	SCREW, pan, 5 x 16 .....	2	2	
• 3	35130-NF4-000	SWITCH ASSY., engine stop .....	1	1		23	93700-04010-0G	SCREW, oval, 4 x 10 .....	2	2	
• 4	53105-NF4-770	CAP, handle pipe .....	2	2		24	94050-06000	NUT, flange, 6 mm .....	1	1	
• 5	53111-NF4-770	PIPE, handle .....	2	2		25	94111-04000	WASHER, spring, 4 mm .....	1	1	
• 6	53112-NF4-770	HOLDER, R. handle .....	1	1		26	95801-08035-00	BOLT, flange, 8 x 35 .....	2	2	
• 7	53122-NF4-770	HOLDER, L. handle .....	1	1		27	96001-06022-00	BOLT, flange, SH, 6 x 22 .....	4	4	
• 8	53141-NF4-003	PIPE, throttle grip .....	1	1							
9	53165-422-000	GRIP, R. handle .....	1	1							
10	53166-422-000	GRIP, L. handle .....	1	1							
11	53167-KS6-000	HOUSING, A, grip .....	1	1							
12	53168-KS6-000	HOUSING, B, grip .....	1	1							
13	53169-ML3-790	COVER, housing B .....	1	1							
14	53172-430-003	BRACKET., L. handle lever .....	1	1							
15	53173-376-000	HOLDER, lever bracket .....	1	1							
16	53178-399-700	LEVER, L. steering handle .....	1	1							
17	53192-KA3-700	BOLT, wire adjust .....	1	1							
18	90114-310-000	BOLT, handle lever pivot .....	1	1							
19	90321-KF0-000	NUT, fixing .....	1	1							
• 20	90651-NC8-000	TY-LAP 3.6 x 281 .....	1	1							

Block No.

# F-2

**Steering stem • Steering  
damper • Front fender**  
'91 RS125R  
'92 RS125R



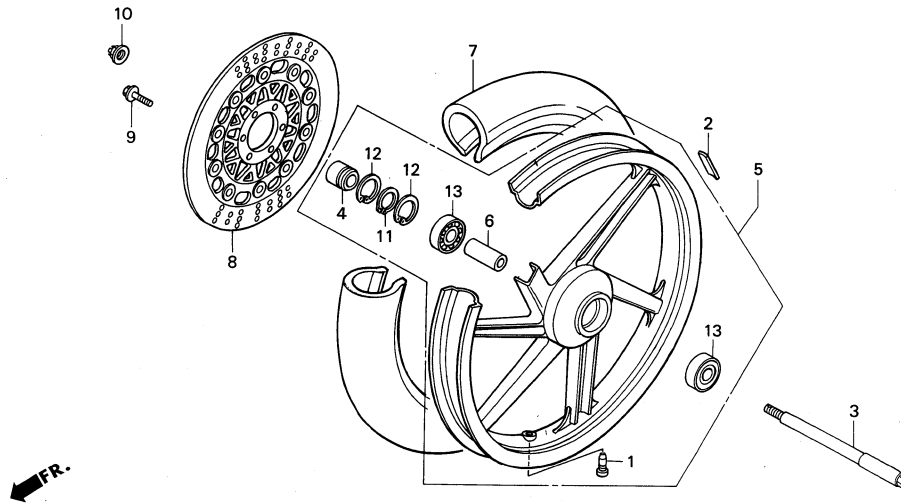
Ref. No.	Part No.	Description	Reqd. No.		Remarks	Ref. No.	Part No.	Description	Reqd. No.		Remarks
			'91	'92					'91	'92	
• 1	30407-MF2-000	COLLAR, ignition coil .....	4	4			96001-06028-00	BOLT, flange, SH, 6 x 28 .....	4	—	
• 2	53200-NF4-770	STEM COMP., steering, 35 .....	1	1							
•	53200-NF4-870	STEM COMP., steering, 40 .....	(1)	(1)							
• 3	53214-371-010	DUST-SEAL, steering head .....	1	1							
• 4	53214-430-003	DUST-SEAL, steering head .....	1	1							
• 5	53229-KN5-650	THREAD, steering (head top) .....	1	1							
• 6	53230-NF4-770	BRIDGE, fork top, 35 .....	1	1							
•	53230-NF4-870	BRIDGE, fork top, 40 .....	(1)	(1)							
• 7	53700-NF4-771	DAMPER ASSY., steering .....	1	1							
• 8	61100-NF4-610	FENDER COMP., front .....	—	1							
•	61100-NF4-770	FENDER COMP., front .....	1	—							
• 9	90304-KA3-710	NUT, steering stem .....	1	1							
• 10	90503-428-870	WASHER, steering stem .....	1	1							
• 11	91053-ND9-000	BEARING, head pipe up .....	1	1							
• 12	91054-ND6-700	BEARING, head pipe lower .....	1	1							
• 13	91060-NL0-000	BEARING, spherical, 8 mm .....	2	2							
• 14	94102-08000	WASHER, plain, 8 mm .....	4	4							
• 15	95301-08032-00	BOLT, HEX, 8 x 32 .....	2	2							
• 16	95801-08035-00	BOLT, flange, 8 x 35 .....	6	6							
• 17	96001-06018-00	BOLT, flange, SH, 6 x 18 .....	—	4							

3

Block No.

**F-3**

**Front wheel  
'91 RS125R  
'92 RS125R**



Ref. No.	Part No.	Description	Reqd. No. '91	Reqd. No. '92	Remarks	Ref. No.	Part No.	Description	Reqd. No. '91	Reqd. No. '92	Remarks
• 1	42704-NF5-710	VALVE, WHEEL .....	1	1							
• 2	42720-NC8-000	WEIGHT, balancer, 10G .....	N	N							
•	42721-NC8-000	WEIGHT, balancer, 20G .....	N	N							
• 3	44301-NF4-770	AXLE, front wheel .....	1	1							
• 4	44303-NF4-000	COLLAR, front wheel side .....	1	1							
• 5	44600-NF4-780	WHEEL SET, front, 2.15 x 17 .....	1	1							
• 6	44620-NF4-000	COLLAR, front axle distance .....	1	1							
7		TIRE, front 85/570-17 .....									
		(YOKOHAMA).....	1	—	(NO SALE)						
		TIRE, front 85/575-17 .....									
		(YOKOHAMA).....	—	1	(NO SALE)						
		TIRE, front 2.65 x 3.25-17 (DUNLOP) .	1	—	(NO SALE)						
• 8	45120-NF4-611	DISK COMP., front brake .....	—	1							
•	45120-NF4-771	DISK COMP., R. front .....	1	—							
• 9	90003-MC7-000	BOLT, flange, 6 x 20 .....	—	6							
•	90113-ND5-761	BOLT, flange, 6 x 20 .....	6	(6)							
10	90305-GE8-003	NUT, U, 14 mm .....	1	1							
• 11	90651-NF4-000	CIRCLIP, external, 26 .....	1	1							
• 12	90652-NF4-000	CIRCLIP, internal, 35 .....	2	2							
13	96140-62020-10	BEARING, ball radial, 6202U .....	2	2							

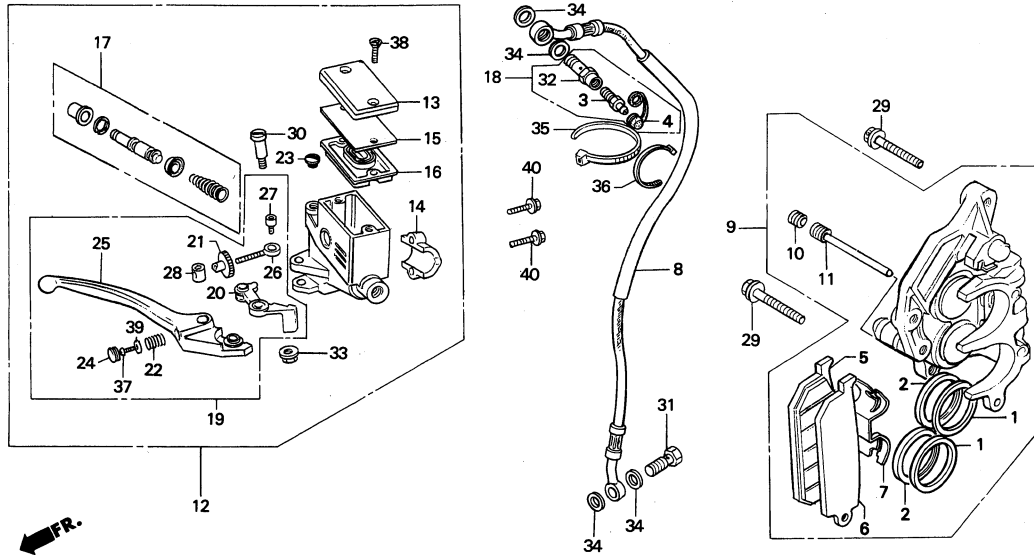
Block No.

# F-4

## Front caliper • Master cylinder '91 RS125R '92 RS125R

MEMO

- Brake fluid: DOT 4



3

Ref. No.	Part No.	Description	Reqd. No.		Remarks	Ref. No.	Part No.	Description	Reqd. No.		Remarks
			'91	'92					'91	'92	
1	43109-MA3-006	DUST-SEAL .....	—	2		17	45530-MN9-305	CYLINDER SET, master .....	1	1	
	45109-GE2-006	DUST-SEAL .....	2	(2)	770 USE ONLY	•18	45530-NF4-760	BOLT ASSY., oil bleeder .....	1	1	
2	43209-MA3-006	SEAL, piston .....	—	2		19	53170-MJ4-006	LEVER ASSY., R. handle .....	1	1	
	45209-GE2-006	SEAL, piston .....	2	(2)	770 USE ONLY	20	53171-MJ4-006	KNOCKER, master cylinder .....	1	1	
3	43352-568-003	SCREW, bleeder .....	1	1		21	53172-MJ4-006	ADJUSTER, handle lever, R. ....	1	1	
4	43353-461-771	CAP, bleeder .....	1	1		22	53173-MJ4-006	SPRING, handle lever .....	1	1	
•5	45105-NF4-770	PAD COMP., A front .....	1	1		23	53174-463-770	PLUG, handle lever bracket .....	1	1	
•6	45106-NF4-770	PAD COMP., B front .....	1	1		24	53174-MJ4-006	CAP, handle lever .....	1	1	
7	45108-ML7-921	SPRING, pad .....	1	1		25	53175-MJ4-006	LEVER, handle, R. ....	1	1	
•8	45125-NF4-611	HOSE, front brake .....	—	1	(L = 543)	26	53176-MJ4-016	BOLT, adjust .....	1	1	
•	45125-NF4-771	HOSE, front brake .....	1	—	(L = 543)	27	53177-KV0-006	BOLT, lever socket, 5 x 5 .....	1	1	
•9	45200-NF4-611	CALIPER ASSY., R. front brake .....	—	1	611 TYPE	28	53179-MJ4-016	JOINT, lever .....	1	1	
•	45200-NF4-770	CALIPER ASSY., R. front brake .....	1	(1)	770 TYPE	•29	90108-NF4-000	BOLT, flange, 8 x 28 .....	2	(2)	
10	45203-MG3-016	PLUG, pin .....	1	1			95801-08028-000	BOLT, flange, 8 x 28 .....	—	2	
						30	90114-MA5-671	BOLT, handle lever .....	1	1	
11	45215-ML7-922	PIN, hanger .....	1	1		31	90145-MS9-611	BOLT, oil, 10 x 22 .....	1	1	
•12	45500-NF4-770	CYLINDER ASSY., front brake master .....	1	1		•32	90145-NN0-000	BOLT, oil, bleeder .....	1	1	
13	45513-MB4-673	CAP, master cylinder .....	1	1		33	90201-415-000	NUT, cap, 6 mm .....	1	1	
14	45517-166-006	HOLDER, master cylinder .....	1	1		34	90545-300-000	WASHER, oil bolt .....	4	4	
15	45518-MB4-671	PLATE, diaphragm .....	1	1		•35	90651-NC8-000	TY-LAP, 3.6 x 281 .....	1	1	
16	45520-MA5-672	DIAPHRAGM .....	1	1							

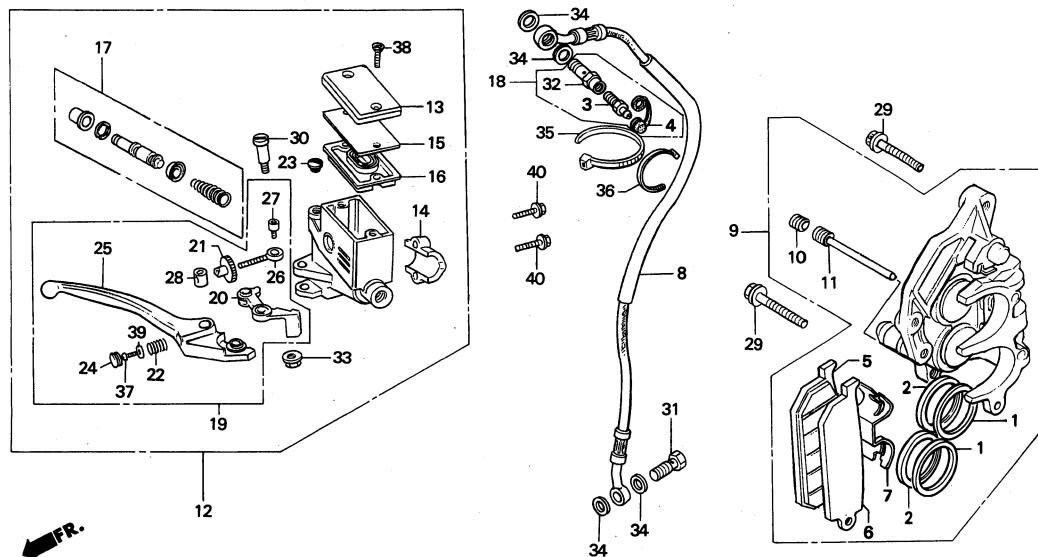
Block No.

# F-4

**Front caliper •  
Master cylinder**  
'91 RS125R  
'92 RS125R

**MEMO**

- Brake fluid: DOT 4



Ref. No.	Part No.	Description	Reqd. No.		Remarks	Ref. No.	Part No.	Description	Reqd. No.		Remarks
			'91	'92					'91	'92	
•36	90652-ND5-000	TY-LAP, 2.4 x 92 .....	1	1							
37	93500-03006-0A	SCREW, pan, 3 x 6 .....	1	1							
38	93600-04012-1G	SCREW, flat, 4 x 12 .....	2	2							
39	94101-03800	WASHER, plan, 3 mm .....	1	1							
40	95701-06025-00	BOLT, flange, 6 x 25 .....	2	2							

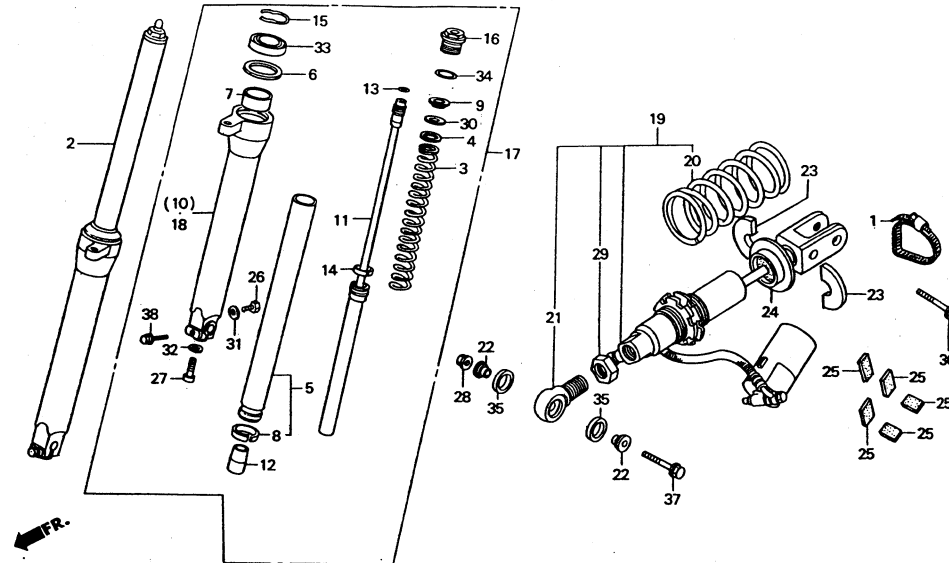
Block No.

# F-5

## Front fork • Rear cushion

'91 RS125R

'92 RS125R



Ref. No.	Part No.	Description	Reqd. No.		Remarks	Ref. No.	Part No.	Description	Reqd. No.		Remarks
			'91	'92					'91	'92	
• 1	50252-KA4-700	BAND, sub tank .....	—	1		• 18	51521-NF4-771	CASE COMP. L. bottom .....	1	1	
•	50252-NF4-750	BAND, sub tank .....	1	—		• 19	52400-NF4-611	CUSHION ASSY., rear .....	—	1	
• 2	51400-NF4-781	FORK ASSY., R. front .....	1	1		•	52400-NF4-781	CUSHION ASSY., rear .....	1	—	
• 3	51401-NF4-781	SPRING, front fork (0.65) .....	2	2	STD	• 20	52401-NF4-781	SPRING, rear cushion (6.4) .....	1	1	STD
•	51403-NF4-881	SPRING, H, front fork (0.70) .....	(2)	(2)	HARD	•	52402-NF4-881	SPRING, H, rear cushion (6.8) .....	(1)	(1)	HARD
•	51404-NF4-881	SPRING, S, front fork (0.60) .....	(2)	(2)	SOFT	•	52403-NF4-881	SPRING, S, rear cushion (6.0) .....	(1)	(1)	SOFT
• 4	51403-MA0-771	PLATE, spring joint .....	2	2		• 21	52420-NF4-781	JOINT COMP., upper .....	1	1	
• 5	51410-NF4-781	PIPE COMP., front fork .....	2	2		22	52452-GC4-831	BUSH, damper up .....	2	2	
6	51412-422-003	RING, back up .....	2	2		• 23	52455-NF4-781	STOPPER, spring seat .....	2	2	
7	51414-469-003	BUSH, guide .....	2	2		• 24	52459-NF4-781	SEAT, spring .....	1	1	
8	51415-KL4-951	BUSH, slide .....	2	2		• 25	64105-NF4-000	RUBBER, cowling .....	5	5	
• 9	51415-NF4-781	SEAT, spring .....	2	2		• 26	90107-NF4-003	BOLT, hex., 6 x 8 .....	2	2	
• 10	51421-NF4-771	CASE COMP., R. bottom .....	1	1		27	90116-383-721	BOLT, socket, 8 x 27 .....	2	2	
• 11	51430-NF4-781	DAMPER COMP., front .....	2	2		28	90304-GA6-003	NUT, axle .....	1	1	
• 12	51432-NF4-781	PIECE, oil lock .....	2	2		• 29	90306-NF5-003	NUT, lock .....	1	1	
• 13	51435-NF4-781	O-RING, 11.8 x 2.4 .....	2	2		• 30	90404-NF4-881	WASHER, preload, 1.6 mm .....	N	N	
• 14	51437-461-003	RING, piston .....	2	2		31	90543-273-000	PACKING, front fork drain cock .....	2	2	
15	51447-KL4-951	RING, oil seal stopper .....	2	2		32	90544-283-000	WASHER, special .....	2	2	
• 16	51455-NF4-781	BOLT, front fork .....	2	2		• 33	91255-MA6-013	OIL-SEAL, 35 x 48 x 11 .....	2	2	
• 17	51500-NF4-781	FORK ASSY., L. front .....	1	1		34	91317-381-771	O-RING, 28 x 2.4 .....	2	2	

3



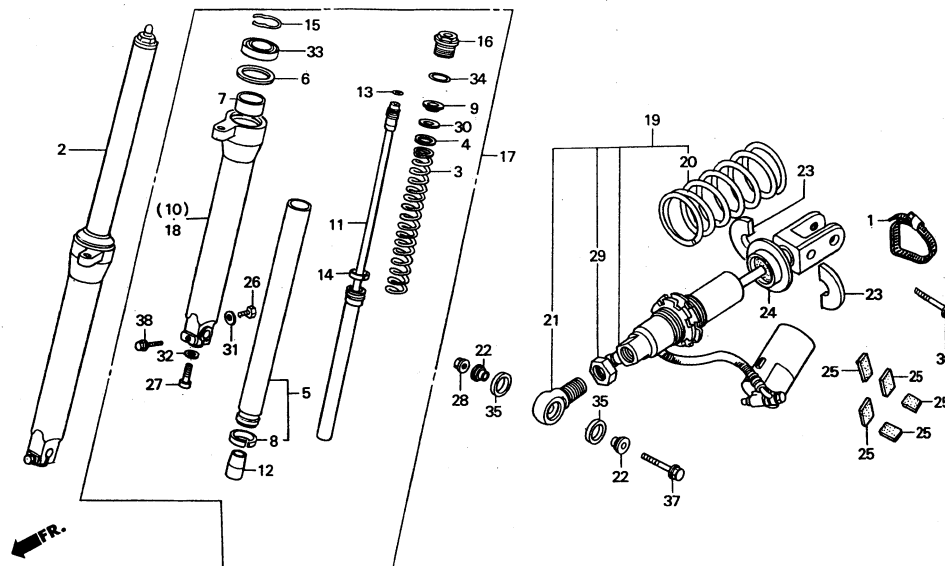
Block No.

**F-5**

**Front fork • Rear cushion**

'91 RS125R

'92 RS125R

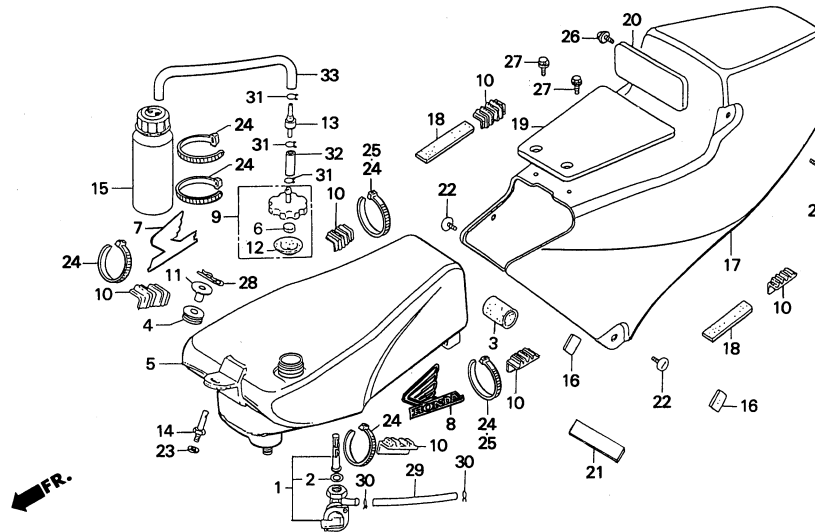


Ref. No.	Part No.	Description	Reqd. No.		Remarks	Ref. No.	Part No.	Description	Reqd. No.		Remarks
			'91	'92					'91	'92	
35	91351-KB7-003	DUST-SEAL, B .....	2	2							
36	95801-10040-00	BOLT, flange, 10 x 40 .....	1	1							
37	95801-10050-00	BOLT, flange, 10 x 50 .....	1	1							
38	96300-08040-00	BOLT, flange, DR, 8 x 40 .....	2	2							

Block No.

# F-6

Fuel tank • Seat  
'91 RS125R  
'92 RS125R



Ref. No.	Part No.	Description	Reqd. No.		Remarks	Ref. No.	Part No.	Description	Reqd. No.		Remarks
			'91	'92					'91	'92	
• 1	16950-ND5-750	VALVE ASSY., fuel .....	1	1		21	77238-MR7-300	TAPE .....	3	3	
2	16958-MA2-771	O-RING .....	1	1		• 22	90106-NF4-770	BOLT, cowl set, 6 x 13 .....	2	2	
• 3	17505-NF4-000	RUBBER, fuel tank mount .....	1	1		23	90405-HA0-000	WASHER, 9 mm (t=0.8 mm) .....	N	N	
4	17508-KN5-670	RUBBER, tank mount .....	1	1			90443-GC8-000	WASHER, 8 mm (t=1.0 mm) .....	N	N	
• 5	17510-NF4-780	TANK COMP., fuel .....	1	1		• 24	90651-NC8-000	TY-LAP, 3.6 x 281 .....	6	4	
• 6	17512-ND5-750	FILTER, fuel cap .....	1	1		25	91058-MG9-681	BAND, self lock .....	—	2	
• 7	17516-NF4-610	WING MARK, R. side .....	—	1		26	93404-06016-00	BOLT, WASHER, 6 x 16 .....	2	2	
• 8	17517-NF4-610	WING MARK, L. side .....	—	1		27	93404-06020-00	BOLT, WASHER, 6 x 20 .....	2	2	
• 9	17520-NF4-750	CAP ASSY., fuel tank .....	1	1		28	94252-10100	PIN, lock, 10 mm .....	1	1	
• 10	17528-NF4-000	RUBBER B, fuel tank mount .....	6	6		• 29	95001-75295-40	TUBE, fuel, 7.5 x 295 .....	1	1	
11	17618-371-000	COLLAR, tank set .....	1	1		30	95002-02120	CLIP, B12, tube .....	2	2	
12	17624-430-000	PACKING, fuel cap .....	1	1		31	95002-45000	CLIP, C8, tube .....	3	3	
• 13	17625-NF4-003	VALVE COMP., check .....	1	1		• 32	95003-10003-31	V-TUBE, 5 x 8 x 30 .....	1	1	
• 14	17629-NF4-000	PIN, tank mount .....	1	1		• 33	95003-10058-31	V-TUBE, 5 x 8 x 580 .....	1	1	
• 15	19602-NF4-810	TANK, catch, 250 .....	1	1							
• 16	64105-NF4-000	RUBBER, cowling .....	2	2							
• 17	77101-NF4-780	COWL, seat .....	1	1							
• 18	77105-NF4-750	RUBBER, seat rail .....	2	2							
• 19	77220-NF4-760	RUBBER, seat .....	1	1							
• 20	77221-NF5-760	RUBBER, seat back .....	1	1							

3

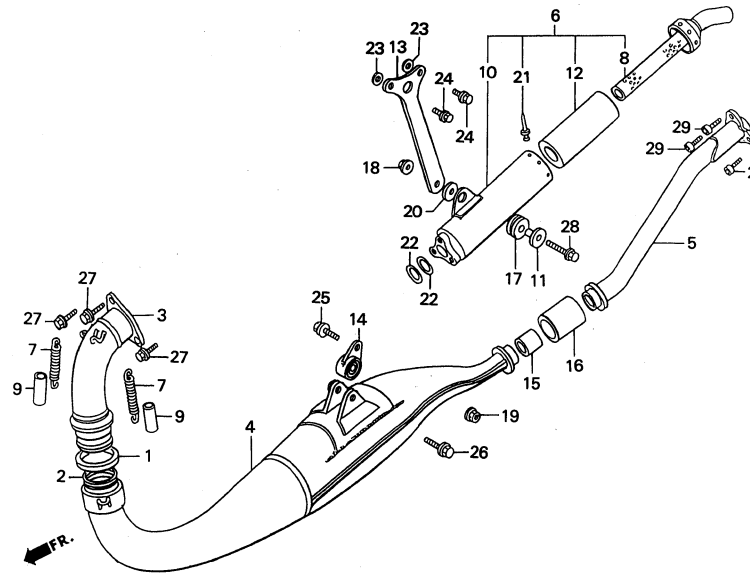
Block No.

**F-7**

**Expansion chamber**

'91 RS125R

'92 RS125R

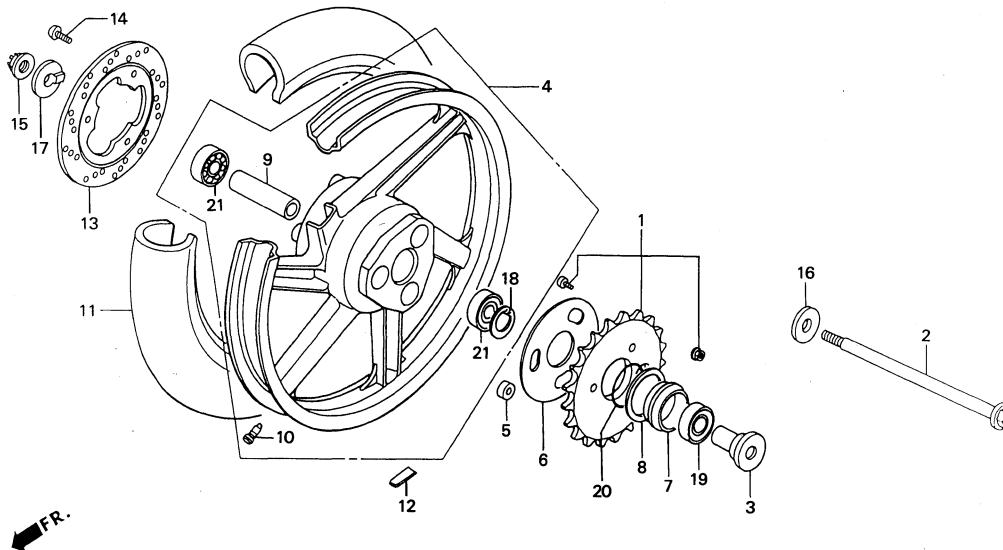


Ref. No.	Part No.	Description	Reqd. No. '91	Reqd. No. '92	Remarks	Ref. No.	Part No.	Description	Reqd. No. '91	Reqd. No. '92	Remarks
• 1	18305-NF4-780	SPACER, chamber joint .....	1	1		20	90506-430-000	WASHER, fender mount .....	1	1	
• 2	18306-NF4-780	SEAL, exhaust joint .....	1	1		• 21	91081-NF4-003	RIVET, blind, 3.2 .....	8	8	
• 3	18307-NF4-610	JOINT COMP., expansion chamber ..	—	1		22	91301-KR3-003	O-RING, 25.5 x 2.5 .....	2	2	
• 4	18307-NF4-780	JOINT COMP., expansion chamber ..	1	—		23	94103-06800	WASHER, plan, 6 mm .....	2	2	
• 4	18310-NF4-780	CHAMBER COMP., expansion .....	1	1		24	95701-06016-00	BOLT, flange, 6 x 16 .....	2	2	
• 5	18325-NF4-780	JOINT COMP., silencer .....	1	1		• 25	95801-08022-08	BOLT, flange, 8 x 22 .....	1	1	
• 6	18330-NF4-771	SILENCER ASSY. ....	1	1		26	95801-08032-08	BOLT, flange, 8 x 32 .....	1	1	
7	18332-KS6-000	SPRING, exhaust pipe .....	2	2		27	96001-06018-00	BOLT, flange, SH, 6 x 18 .....	3	3	
• 8	18332-NF5-760	INNER COMP., silencer L. ....	1	1		28	96001-06028-00	BOLT, flange, SH, 6 x 28 .....	1	1	
• 9	18333-ND4-760	TUBE, spring .....	2	2		29	96700-06016-17	BOLT, socket, 6 x 16 .....	3	3	
• 10	18333-NF4-770	OUTER COMP., body .....	1	1							
11	18336-KS6-700	COLLAR, silencer mount .....	1	1							
• 12	18336-NF5-761	GLASS WOOL .....	1	1							
• 13	18355-NF4-770	STAY, silencer mount .....	1	1							
14	18359-961-000	STAY ASSY., muffler .....	1	1							
• 15	18360-NF4-000	PIPE, chamber joint .....	1	1							
• 16	18361-NF4-770	SEAL, chamber joint .....	1	1							
17	61103-430-000	RUBBER, fender mount .....	1	1							
18	90301-473-003	NUT, U.6 mm .....	1	1							
19	90309-428-731	NUT, flange, 8 mm .....	1	1							

Block No.

**F-8**

**Rear wheel  
'91 RS125R  
'92 RS125R**

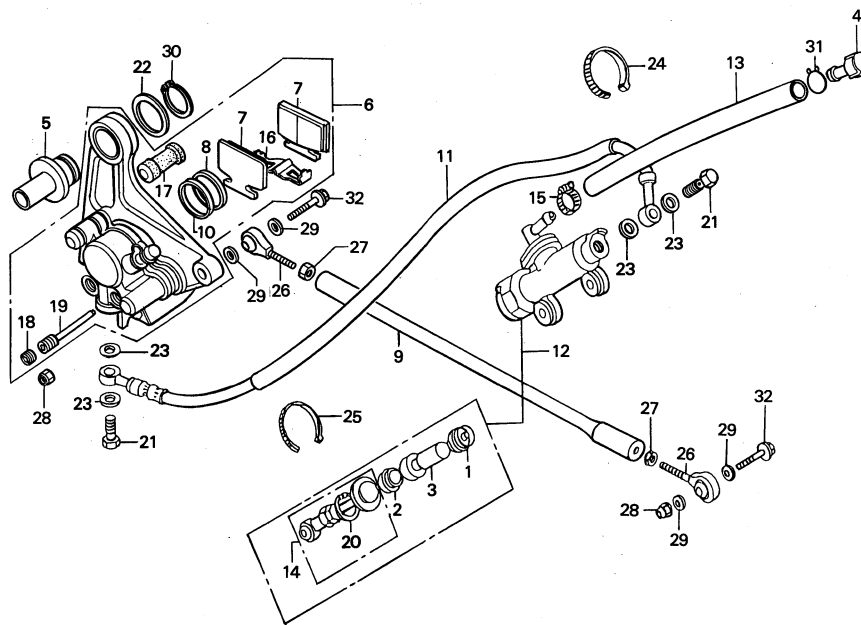


Ref. No.	Part No.	Description	Reqd. No. '91	Reqd. No. '92	Remarks	Ref. No.	Part No.	Description	Reqd. No. '91	Reqd. No. '92	Remarks
• 1	41102-NF4-760	SPROCKET ASSY., final driven 32T ...	(1)	(1)		• 12	42720-NC8-000	TIRE, 2.85 x 4.00-17 (DUNLOP) .....	1	—	(NO SALE)
• 2	41103-NF4-760	SPROCKET ASSY., final driven 33T ...	(1)	(1)		• 13	42721-NC8-000	WEIGHT, balancer, 10G .....	N	N	
• 3	41104-NF4-760	SPROCKET ASSY., final driven 34T ...	(1)	(1)		• 14	43122-NF4-770	WEIGHT, balancer, 20G .....	N	N	
• 4	41105-NF4-760	SPROCKET ASSY., final driven 35T ...	(1)	(1)		• 15	43122-NF5-760	DISK, rear brake .....	1	—	
• 5	41106-NF4-760	SPROCKET ASSY., final driven 36T ...	1	1		• 16	90105-KR3-000	DISK, rear brake .....	—	1	
• 6	41107-NF4-760	SPROCKET ASSY., final driven 37T ...	(1)	(1)		• 17	90305-GE8-003	BOLT, front disk, 8 x 24 .....	3	3	
• 7	41108-NF4-760	SPROCKET ASSY., final driven 38T ...	(1)	(1)		• 18	90408-NF4-000	NUT, U, 14 mm .....	1	1	
• 8	41109-NF4-760	SPROCKET ASSY., final driven 39T ...	(1)	(1)		• 19	90409-NF4-000	WASHER, 15 x 35 .....	1	1	
• 9	41110-NF4-760	SPROCKET ASSY., final driven 40T ...	(1)	(1)		• 20	90652-NF4-000	WASHER, A, 15 x 35 .....	1	1	
• 2	42301-NF4-000	AXLE, rear wheel .....	1	1		• 21	91052-NF4-000	CIR-CLIP, internal, 35 .....	1	1	
• 3	42304-NF4-770	COLLAR, rear wheel side .....	1	1		• 19	91052-NF4-000	BEARING, ball radial, 6904UU .....	1	1	
• 4	42600-NF4-780	WHEEL SET, rear, 3.00 x 17 .....	1	1		• 20	91357-964-006	O-RING, 31 .....	1	1	
• 5	42615-ND5-750	RUBBER, RR. wheel damper .....	3	3		• 21	96140-62020-10	BEARING, ball radial, 6202U .....	2	2	
• 6	42616-NF4-000	WASHER, sprocket .....	1	1							
• 7	42617-NF4-770	COLLAR, sprocket .....	1	1							
• 8	42618-NF4-000	WASHER, collar sprocket, 0.2 .....	N	N							
• 9	42619-NF4-000	WASHER, collar sprocket, 0.3 .....	N	N							
• 9	42620-NF4-770	COLLAR, rear axle distance .....	1	1							
• 10	42704-NF5-710	VALVE, wheel .....	1	1							
11		TIRE, 105/585-17 (YOKOHAMA) ...	1	—	(NO SALE)						
		TIRE, 105/575R17 (YOKOHAMA) ..	—	1	(NO SALE)						

Block No.

# F-9

## Rear brake • Rear master cylinder '91 RS125R '92 RS125R



Ref. No.	Part No.	Description	Reqd. No. '91	Reqd. No. '92	Remarks	Ref. No.	Part No.	Description	Reqd. No. '91	Reqd. No. '92	Remarks
• 1	04601-ND5-760	CUP, primary .....	1	1		21	90145-MS9-611	BOLT, oil, 10 x 22 .....	2	2	
• 2	04602-ND5-760	CUP, secondary .....	1	1		22	90475-425-000	WASHER, thrust, 30 mm .....	1	1	
• 3	04603-NF4-770	PISTON, rear .....	1	1		23	90545-300-000	WASHER, oil bolt .....	4	4	
4	17370-419-700	PLUG, breather tube .....	1	1		• 24	90651-NC8-000	TY-LAP, 3.6 x 281 .....	1	1	
• 5	42305-NF4-750	COLLAR, caliper bracket .....	1	1		• 25	90652-ND5-000	TY-LAP, 2.4 x 92 .....	1	1	
• 6	43100-NF4-770	CALIPER ASSY, rear .....	1	1		• 26	91048-NC5-000	ROD, end, 8 mm .....	2	2	
7	45105-GM9-743	PAD COMP .....	2	2		27	94002-08000-0S	NUT, hex, 8 mm .....	2	2	
8	43109-MA3-006	DUST-SEAL .....	1	1		28	94050-08000	NUT, flange, 8 mm .....	2	2	
• 9	43111-NF4-750	TORQUE-ROD, rear brake .....	1	1		29	94102-08000	WASHER, plain, 8 mm .....	4	4	
10	43209-MA3-006	SEAL, piston .....	1	1		30	94510-30000	CIR-CLIP, external, 30 .....	1	1	
• 11	43310-NF4-781	HOSE, rear brake .....	1	1		31	95002-02120	CLIP, B12, tube .....	1	1	
• 12	43500-NF4-770	MASTER CYLINDER ASSY., rear ..	1	1		32	95801-08035-00	BOLT, flange, 8 x 35 .....	2	2	
• 13	43503-NF4-000	V-TUBE, 9 x 13 x 240 .....	1	1							
• 14	43504-NF4-770	ROD ASSY .....	1	1							
• 15	43541-ND5-750	CLAMP .....	1	1							
16	45108-GM9-741	SPRING, pad .....	1	1							
17	45133-MA3-006	BOOT, B .....	1	1							
18	45203-MG3-016	PLUG, pin .....	2	2							
19	45215-GE2-006	PIN, hanger .....	2	2							
20	46182-500-013	CIR-CLIP .....	1	1							

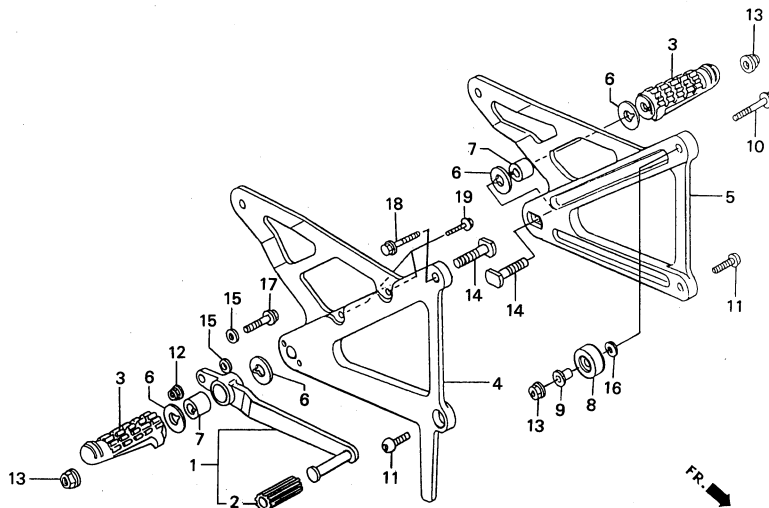
Block No.

# F-10

## Step • Brake pedal

'91 RS125R

'92 RS125R



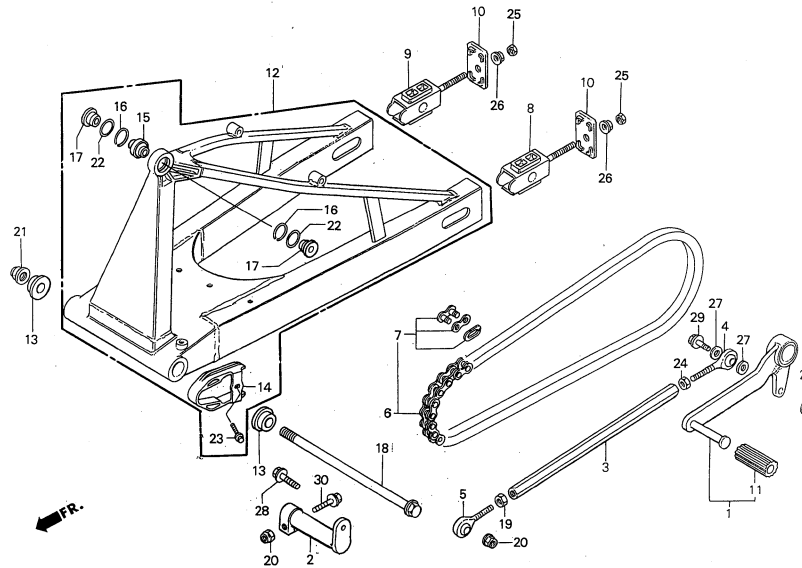
Ref. No.	Part No.	Description	Reqd. No. '91	Reqd. No. '92	Remarks	Ref. No.	Part No.	Description	Reqd. No. '91	Reqd. No. '92	Remarks
• 1	46500-NF4-780	PEDAL COMP., brake .....	1	1							
• 2	46501-ND4-750	RUBBER, pedal .....	1	1							
• 3	50611-NF4-770	ARM COMP., step .....	2	2							
• 4	50630-NF4-770	HOLDER, R., step .....	1	1							
• 5	50640-NF4-770	HOLDER, L., step .....	1	1							
• 6	50642-NF4-770	WASHER, 8.2 mm .....	4	4							
• 7	50643-NF4-770	COLLAR, 16 x 8.2 .....	2	2							
• 8	52158-HB5-003	ROLLER, chain .....	1	1							
• 9	52159-467-000	COLLAR, chain roller .....	1	1							
• 10	90113-HB3-000	BOLT, flange, DR, 8 x 62 .....	1	1							
• 11	90178-NC8-000	SCREW, 8 x 22 .....	2	2							
• 12	90301-473-003	NUT, U., 6 mm .....	1	1							
• 13	90309-428-731	NUT, flange, 8 mm .....	3	3							
• 14	90510-NF4-770	BOLT, M. step .....	2	2							
• 15	94101-06000	WASHER, plain, 6 mm .....	2	2							
• 16	94102-08000	WASHER, plain, 8 mm .....	1	1							
• 17	95801-06025-00	BOLT, flange, 6 x 25 .....	1	1							
• 18	95801-08025-00	BOLT, flange, 8 x 25 .....	1	1							
• 19	96001-06022-00	BOLT, flange, 6 x 22 .....	2	2							

3

Block No.

# F-11

Change pedal • Rear fork  
'91 RS125R  
'92 RS125R



Ref. No.	Part No.	Description	Reqd. No. '91	Reqd. No. '92	Remarks	Ref. No.	Part No.	Description	Reqd. No. '91	Reqd. No. '92	Remarks
• 1	24700-NF4-780	PEDAL COMP., change .....	1	1		•	40534-NF4-611	CHAIN, drive.....			
• 2	24702-NF4-770	ARM, gear change .....	1	1				(RK 415HR x 116RJ) .....	—	(1)	
• 3	24706-NF4-760	ROD, change, 230 .....	1	1		•	40534-NF4-751	CHAIN, drive.....			
• 4	24711-NC8-000	END, A, rod 6 mm .....	1	1				(RK GB415HR x 116RJ) .....	(1)	—	
• 5	24712-NC8-000	END, B, rod 6 mm .....	1	1		•	40535-NF4-611	CHAIN, drive.....			
								(RK 415HR x 120RJ) .....	—	(1)	
• 6	40530-NF4-611	CHAIN, drive .....				•	40535-NF4-751	CHAIN, drive.....			
		(RK 415HR x 118RJ) .....	—	1				(RK GB415HR x 120RJ) .....	(1)	—	
•	40530-NF4-751	CHAIN, drive.....				•	40535-NF4-632	CHAIN, drive (DID 415ER-120RB) ..	—	(1)	
		(RK GB415HR x 118RJ) .....	1	—		•	40535-NF4-761	CHAIN, drive (DID 415ER-120RJ) ...	(1)	—	
•	40530-NF4-632	CHAIN, drive.....				• 7	40531-NF4-611	JOINT SET, drive chain .....			
		(DID 415ER-118RB) .....	—	(1)				(RK 415HR) .....	—	1	
•	40530-NF4-761	CHAIN, drive.....				•	40531-NF4-751	JOINT, RJ, drive chain .....			
		(DID 415ER x 118RJ) .....	(1)	—				(RK GB415HR) .....	1	—	
•	40532-NF4-611	CHAIN, drive.....				•	40531-NF4-632	JOINT SET, drive chain .....			
		(RK 415HR x 112RJ) .....	—	(1)				(DID 415ER) .....	—	(1)	
•	40532-NF4-751	CHAIN, drive.....				•	40531-NF4-761	JOINT, RJ, drive chain .....			
		(RK GB415HR x 112RJ) .....	(1)	—				(DID 415ER) .....	(1)	—	
•	40533-NF4-611	CHAIN, drive.....				8	40543-KJ1-700	ADJUSTER, chain .....	1	1	
		(RK 415HR x 114RJ) .....	—	(1)		• 9	40543-NF4-000	ADJUSTER, chain RH (18) .....	1	1	
•	40533-NF4-751	CHAIN, drive.....				10	40544-KJ1-700	RETAINER, chain adjuster .....	2	2	
		(RK GB415HR x 114RJ) .....	(1)	—		•11	46501-ND4-750	RUBBER, pedal .....	1	1	

3

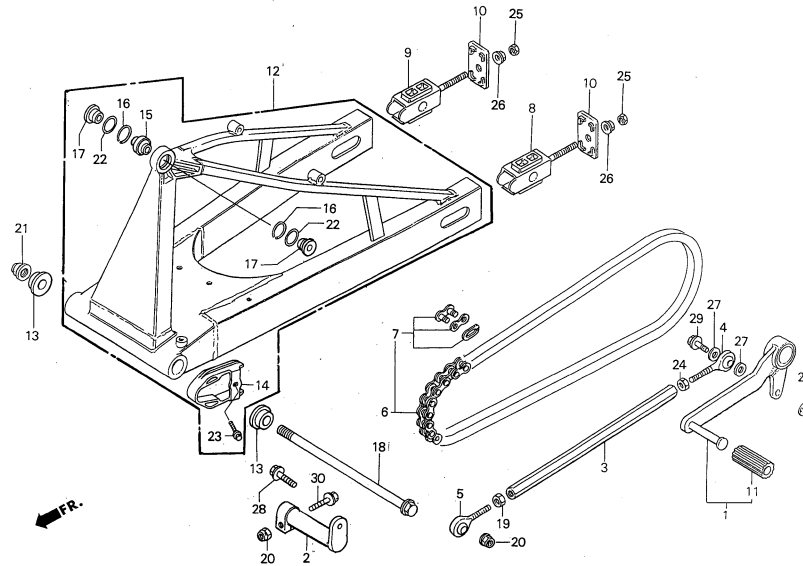
Block No.

# F-11

## Change pedal • Rear fork

'91 RS125R

'92 RS125R



Ref. No.	Part No.	Description	Reqd. No.		Remarks	Ref. No.	Part No.	Description	Reqd. No.		Remarks
			'91	'92					'91	'92	
•12	52100-NF4-780	FORK ASSY., rear .....	1	1							
•13	52146-NF4-000	COLLAR, rear fork pivot .....	2	2							
•14	52170-NF4-770	SLIDER, chain .....	1	1							
•15	52422-NF5-952	BEARING, spherical .....	1	1							
•16	52469-NC8-000	SNAP, ring, 22 mm .....	2	2							
•17	52486-ND9-000	COLLAR, cushion pivot .....	2	2							
18	90121-NF4-003	AXLE, rear fork pivot .....	1	1							
19	90201-KV3-700	NUT, tie-rod B .....	1	1							
20	90301-473-003	NUT, U, 6 mm .....	3	3							
21	90305-MC0-003	NUT, U, 16 mm .....	1	1							
22	91351-KB7-003	SEAL B, dust .....	2	2							
23	93404-06020-00	BOLT-WASHER, 6 x 20 .....	1	1							
24	94001-06200-0S	NUT, hex, 6 mm .....	1	1							
25	94002-08000-0S	NUT, hex, 8 mm .....	2	2							
26	94050-08000	NUT, flange, 8 mm .....	2	2							
27	94101-06000	WASHER, plain, 6 mm .....	2	2							
28	95801-06022-00	BOLT, flange, 6 x 22 .....	1	1							
29	95801-06025-00	BOLT, flange, 6 x 25 .....	1	1							
30	96001-06028-00	BOLT, flange, SH., 6 x 28 .....	1	1							

3



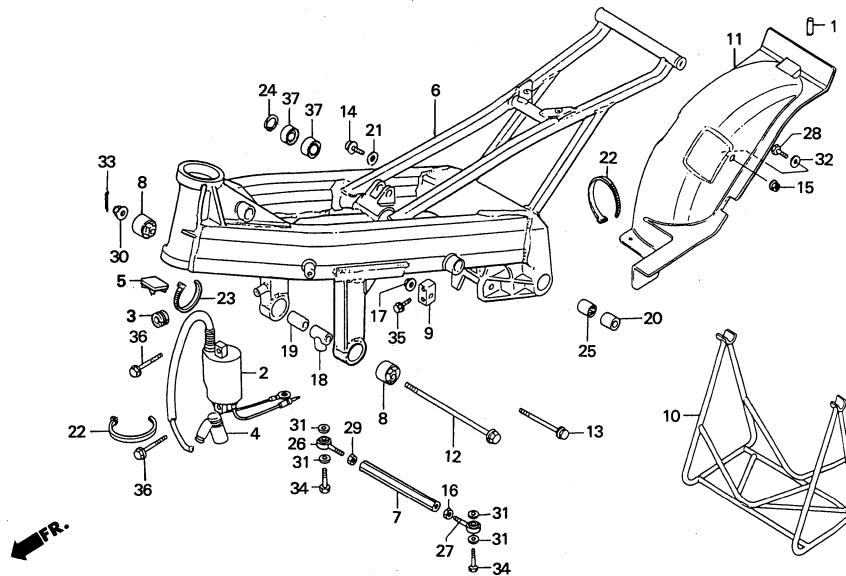
Block No.

# F-12

## Ignition coil • Frame body

'91 RS125R

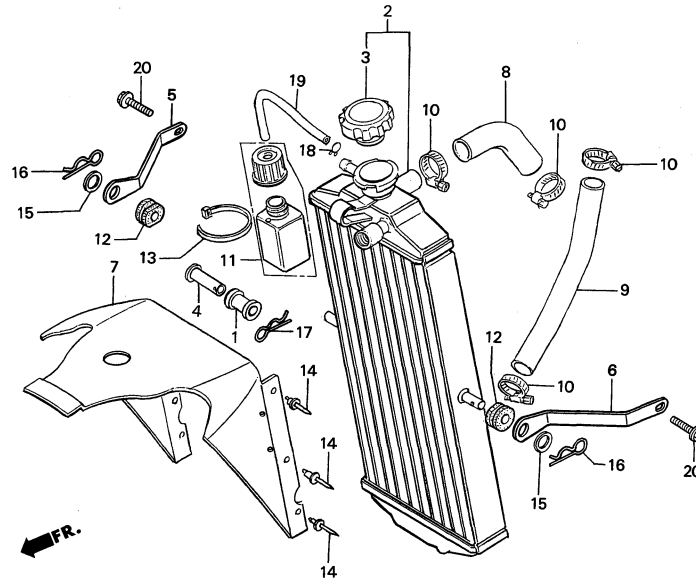
'92 RS125R



Ref. No.	Part No.	Description	Reqd. No. '91	Reqd. No. '92	Remarks	Ref. No.	Part No.	Description	Reqd. No. '91	Reqd. No. '92	Remarks
1	17521-HA7-670	RUBBER, protector .....	1	1		21	90543-273-000	PACKING, front fork drain cock .....	1	1	
• 2	30500-NF4-780	COIL, ignition .....	1	1		• 22	90651-NC8-000	TY-LAP, 3.6 x 281 .....	2	2	
• 3	30501-NF4-780	GROMMET, H/T. cord .....	1	1		• 23	90652-ND5-000	TY-LAP, 2.4 x 92 .....	1	1	
4	30700-KM9-153	CAP ASSY., noise suppressor .....	1	1		• 24	90652-NF4-000	CIR-CLIP, internal, 35 .....	1	1	
• 5	32114-NF4-780	BASE, tylap .....	1	1		• 25	91053-NF4-000	BEARING, needle .....	1	1	
• 6	50100-NF4-780	FRAME BODY COMP .....	1	1		• 26	91055-NF4-000	ROD END A, engine torque .....	1	1	
• 7	50184-NF4-750	ROD, engine torque .....	1	1		• 27	91056-NF4-000	ROD END B, engine torque .....	1	1	
• 8	50200-NF4-000	MOUNT A COMP., engine .....	2	2		• 28	92101-05028-0A	BOLT, hex., 5 x 28 .....	2	2	
• 9	50258-NF4-000	HANGER, rear engine .....	1	1		29	94002-08000-0S	NUT, hex., 8 mm .....	1	1	
• 10	50500-ND4-750	STAND, main .....	1	1		30	94012-10000-0S	NUT, castle, 10 mm .....	1	1	
• 11	80100-NF4-760	FENDER, rear .....	1	1		31	94102-08000	WASHER, plain, 8 mm .....	4	4	
• 12	90103-NF4-000	BOLT, flange, 10 x 247 .....	1	1		32	94103-05800	WASHER, plain, 5 mm .....	2	2	
• 13	90117-NF4-780	BOLT, flange, 10 x 135 .....	1	1		33	94201-25200	PIN, split, 2.5 x 20 .....	1	1	
• 14	90134-ND5-000	BOLT, flange, 6 x 10 .....	1	1		34	95801-08028-00	BOLT, flange, 8 x 28 .....	2	2	
15	90301-MG8-000	NUT, flange, 5 mm .....	2	2		35	95801-08045-00	BOLT, flange, 8 x 45 .....	2	2	
• 16	90302-NF4-000	L-NUT, 8 mm .....	1	1		36	96001-06020-00	BOLT, flange, SH, 6 x 20 .....	2	2	
17	90304-GA6-003	NUT, axle .....	1	1		37	96150-60030-10	BEARING, ball, radial, 6003 .....	2	2	
• 18	90501-NF4-750	COLLAR, 20 x 10 x 51 .....	1	1							
• 19	90502-NF4-760	COLLAR, 20 x 10 x 34 .....	1	1							
• 20	90506-NF4-000	COLLAR, bearing needle .....	1	1							

Block No.

**F-13**  
**Radiator**  
 '91 RS125R  
 '92 RS125R



3

Ref. No.	Part No.	Description	Reqd. No. '91	Reqd. No. '92	Remarks	Ref. No.	Part No.	Description	Reqd. No. '91	Reqd. No. '92	Remarks
1	18421-MK3-000	RUBBER, radiator mount .....	1	1		•	95003-17023-10	V-TUBE, 7 x 9 x 230 .....	—	1	
• 2	19010-NF4-611	RADIATOR ASSY. ....	—	1		20	95701-06016-00	BOLT, flange, 6 x 16 .....	2	2	
•	19010-NF4-781	RADIATOR ASSY. ....	1	—							
3	19045-MB0-702	CAP COMP. ....	1	1							
• 4	19051-NF4-000	COLLAR, radiator ....	1	1							
• 5	19052-NF4-770	STAY R. radiator ....	1	1							
• 6	19053-NF4-770	STAY L. radiator ....	1	1							
• 7	19112-NF4-770	SHROUD, radiator ....	1	1							
• 8	19502-NF4-000	HOSE, A. water ....	1	1							
• 9	19503-NF4-750	HOSE, B. water ....	1	1							
10	19517-MB6-000	CLAMP B, water hose .....	4	4							
• 11	19601-NF4-750	TANK, catch .....	1	1							
12	33712-KC5-003	GROMMET, taillight mount .....	2	2							
• 13	90651-NC8-000	TY-LAP, 3.6 x 281 .....	1	1							
• 14	91080-NC8-300	RIVET, 3.2 x 6.4 .....	4	4							
15	94102-10000	WASHER, plain, 10 mm .....	2	2							
16	94252-10100	PIN, lock, 10 mm .....	2	2							
17	94252-12000	PIN, lock, 12 mm .....	1	1							
18	95002-02100	CLIP, B10, tube .....	1	1							
• 19	95003-14023-10	V-TUBE, 6 x 9 x 230 .....	1	—							

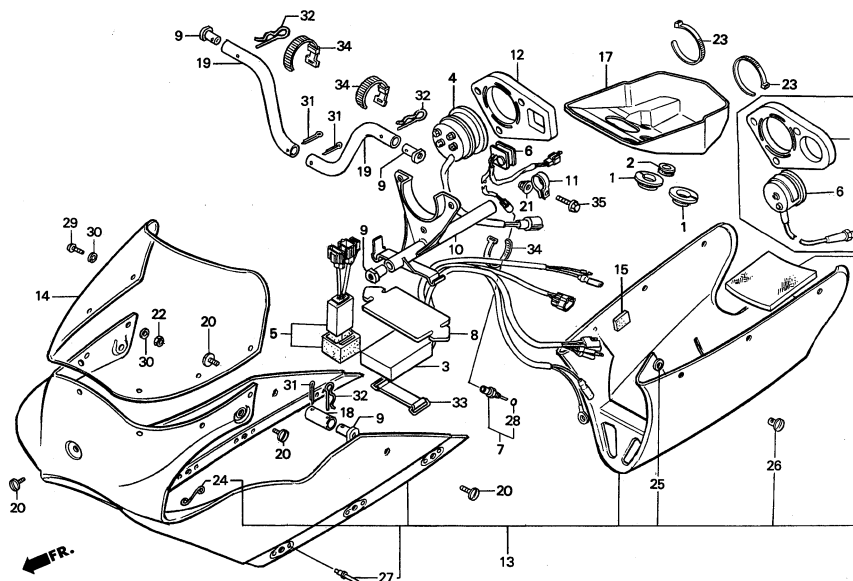
Block No.

# F-14

## Tachometer • Cowling

'91 RS125R

'92 RS125R



Ref. No.	Part No.	Description	Reqd. No. '91 '92	Remarks	Ref. No.	Part No.	Description	Reqd. No. '91 '92	Remarks
1	19114-MF9-000	RUBBER, water guide .....	2	2	•16	64109-ND5-750	SHEET, heat proof .....	1	1
2	19615-GJ5-000	RUBBER, shroud mount .....	1	1	•17	64110-NF4-780	BOX, carburetor .....	1	1
• 3	30410-NF4-611	UNIT COMP., CDI .....	—	1	•18	64210-NF4-770	STAY, front cowl side .....	2	2
• 3	30410-NF4-782	UNIT COMP., CDI .....	1	—	•19	64240-NF4-000	STAY, front cowl up .....	2	2
• 4	37250-NF4-771	TACHOMETER ASSY. ....	1	1	•20	90106-NF4-770	BOLT, cowl set, 6 x 13 .....	5	5
• 5	37260-NF4-610	TACHOMETER UNIT ASSY. ....	—	1	21	90301-473-003	NUT, U, 6 mm .....	1	1
• 5	37260-NF4-780	TACHOMETER UNIT ASSY. ....	1	—	•22	90310-NF4-000	NUT, self lock, 3 mm .....	7	7
• 6	37460-NF4-030	METER ASSY., water temp .....	1	—	•23	90651-NC8-000	TY-LAP, 3.6 x 281 .....	2	2
• 6	37460-NF4-611	METER ASSY., water temp .....	—	1	•24	90653-NC8-000	SPRING, fastener, 35 .....	6	6
• 7	37870-NF4-611	SENSOR ASSY., TW .....	—	1	•25	90654-NC8-000	GROMMET, fastener .....	6	6
8	50383-GK4-630	CUSHION, battery .....	1	1	•26	90655-NC8-000	STUD, fastener, 35 .....	6	6
• 9	50803-NF4-610	NUT, cowl stay .....	5	5	•27	91080-NC8-300	RIVET, 3.2 x 6.4 .....	12	12
•10	50810-NF4-780	STAY COMP., center front cowl .....	1	1	28	91307-PK2-005	O-RING, 9.5 x 1.5 .....	—	1
•11	50811-NF4-770	BAND, D=25.4 .....	1	1	29	93500-03010-0A	SCREW, pan, 3 x 10 .....	7	7
•12	50815-NF4-610	PANEL, meter .....	—	1	30	94101-03000	WASHER, plain, 3 mm .....	14	14
• 12	50815-NF5-710	PANEL, meter .....	1	—	31	94201-25300	PIN, split, 2.5 x 30 .....	4	4
•13	64100-NF4-610	COWLING, front .....	—	1	32	94252-16100	PIN, lock, 16 mm .....	4	4
• 13	64100-NF4-770	COWLING, front .....	1	—	33	95012-12001	BAND, B1, battery .....	1	1
•14	64101-NF4-610	SCREEN .....	—	1	34	95014-62200	BAND, B2, wire .....	3	3
• 14	64101-NF4-770	SCREEN .....	1	—	35	96001-06032-00	BOLT, flange, SH, 6 x 32 .....	1	1
•15	64105-NF4-000	RUBBER, cowling .....	1	1					

3

## '91 • '92-RS125R PART NO. INDEX

Part No.	Block	Part No.	Block	Part No.	Block	Part No.	Block
04000		13000		16013-KA3-741	E-10	17508-KN5-670	F- 6
				16014-NF4-781	E-10	17510-NF4-780	F- 6
04601-ND5-760	F- 9	13100-NF4-610	E- 7	16015-NF4-003	E-10	17512-ND5-750	F- 6
04602-ND5-760	F- 9	13100-NF4-780	E- 7	16016-HA2-004	E-10	17516-NF4-610	F- 6
04603-NF4-770	F- 9	13111-NF4-780	E- 7	16022-ND5-761	E-10	17517-NF4-610	F- 6
		13112-ML0-720	E- 7	16037-NF4-780	E-10	17520-NF4-750	F- 6
		13121-NF4-751	E- 7	16046-NF5-751	E-10	17521-HA7-670	F-12
11000		13300-NF4-780	E- 7	16050-NF5-710	E-10	17528-NF4-000	F- 6
		13331-360-000	E- 7	16100-NF4-780	E-10	17618-371-000	F- 6
11010-NF4-780	E- 6	13615-NF4-610	E- 5	16111-ND5-761	E-10	17624-430-000	F- 6
11011-NF4-780	E- 6	13615-NF4-780	E- 5	16112-NF5-710	E-10	17625-NF4-003	F- 6
11012-NF4-750	E- 6	13617-NF4-780	E- 5	16113-NF5-710	E-10	17629-NF4-000	F- 6
11191-KS6-881	E- 6			16118-166-004	E-10	17910-NF4-780	F- 1
11211-GC4-701	E- 6			16162-ND4-751	E-10		
11340-NF4-780	E- 3	14000		16185-KA3-761	E-10		
11350-KS6-701	E- 2			16196-ND5-761	E-10	18000	
11352-KS6-700	E- 2	14100-NF4-611	E- 6	16199-NF5-751	E-10		
11394-NF4-610	E- 3	14100-NF4-780	E- 6	16201-NF4-780	E-10	18305-NF4-780	F- 7
		14111-NF4-780	E- 6	16202-NF4-780	E-10	18306-NF4-780	F- 7
		14122-NF4-611	E- 6	16203-NF4-780	E-10	18307-NF4-610	F- 7
12000		14132-NF4-780	E- 6	16204-NF4-780	E-10	18307-NF4-780	F- 7
				16205-NF4-780	E-10	18310-NF4-780	F- 7
12100-NF4-610	E- 1			16206-NF4-780	E-10	18325-NF4-780	F- 7
12100-NF4-780	E- 1	15000		16220-NF4-780	E- 6	18330-NF4-771	F- 7
12191-KS6-880	E- 1			16223-KA5-690	E- 6	18331-NF4-780	E- 1
12191-NF4-610	E- 1	15611-ND5-000	E- 3	16950-ND5-750	F- 6	18332-KS6-000	F- 7
12200-NF4-610	E- 1			16958-MA2-771	F- 6	18332-NF5-760	F- 7
12200-NF4-780	E- 1					18333-ND4-760	F- 7
12212-ND5-003	E- 1	16000				18333-NF4-770	F- 7
12213-ND5-000	E- 1			17000		18336-KS6-700	F- 7
		16010-KA5-691	E-10			18336-NF5-761	F- 7
		16011-KA3-741	E-10	17370-419-700	F- 9	18355-NF4-770	F- 7
		16012-NF4-780	E-10	17505-NF4-000	F- 6	18359-961-000	F- 7

## '91 • '92-RS125R PART NO. INDEX

Part No.	Block	Part No.	Block	Part No.	Block	Part No.	Block
18360-NF4-000	F- 7	22000		23431-NF4-780	E- 8	23804-NF4-910	E- 8
18361-NF4-770	F- 7			23431-NF4-870	E- 8		
18421-MK3-000	F-13	22100-NF4-770	E- 5	23431-NF4-880	E- 8		
		22120-NF4-780	E- 5	23432-NF4-750	E- 8	24000	
		22201-NF4-000	E- 5	23441-NF4-780	E- 8		
19000		22203-NF4-761	E- 5	23441-NF4-850	E- 8	24211-NF4-770	E- 9
		22321-KF0-770	E- 5	23442-NF4-850	E- 8	24221-NF4-770	E- 9
19010-NF4-611	F-13	22351-NF4-760	E- 5	23443-NF4-850	E- 8	24231-NF4-770	E- 9
19010-NF4-781	F-13	22352-KA4-000	E- 5	23444-NF4-850	E- 8	24265-KA3-760	E- 9
19045-MB0-702	F-13	22401-KA3-710	E- 5	23445-NF4-850	E- 8	24266-KA3-760	E- 9
19051-NF4-000	F-13	22810-KS6-700	E- 6	23446-NF4-850	E- 8	24311-NF4-610	E- 9
19052-NF4-770	F-13	22815-KS6-700	E- 6	23447-NF4-850	E- 8	24311-NF4-761	E- 9
19053-NF4-770	F-13	22850-KZ4-000	E- 5	23448-NF4-850	E- 8	24312-KA3-741	E- 9
19112-NF4-770	F-13	22870-NF4-000	F- 1	23451-NF4-780	E- 8	24315-HA0-000	E- 9
19114-MF9-000	F-14			23451-NF4-850	E- 8	24320-KS6-700	E- 9
19215-KA3-740	E- 4			23451-NF4-860	E- 8	24322-HA0-000	E- 9
19221-KS6-700	E- 4	23000		23456-KA3-000	E- 8	24324-KA3-740	E- 9
19222-KS6-700	E- 4			23461-NF4-780	E- 8	24326-360-000	E- 9
19229-KS6-880	E- 4	23210-NF4-760	E- 8	23461-NF4-870	E- 8	24328-KS6-700	E- 9
19240-NF4-610	E- 4	23210-NF4-850	E- 8	23461-NF4-880	E- 8	24329-KA3-740	E- 9
19240-NF4-781	E- 4	23210-NF4-860	E- 8	23471-NF4-760	E- 8	24430-KA3-740	E- 9
19501-NF4-000	E- 4	23210-NF4-880	E- 8	23471-NF4-850	E- 8	24435-NF4-760	E- 9
19502-NF4-000	F-13	23221-NF4-760	E- 8	23471-NF4-860	E- 8	24610-KS6-700	E- 9
19503-NF4-750	F-13	23225-ND4-000	E- 8	23472-ND4-000	E- 8	24651-KV3-000	E- 9
19517-MB6-000	E- 4	23411-NF4-780	E- 8	23481-NF4-760	E- 8	24700-NF4-780	F-11
	F-13	23411-NF4-860	E- 8	23481-NF4-850	E- 8	24702-NF4-770	F-11
19601-NF4-750	F-13	23411-NF4-870	E- 8	23481-NF4-860	E- 8	24706-NF4-760	F-11
19602-NF4-810	F- 6	23411-NF4-880	E- 8	23491-NF4-780	E- 8	24711-NC8-000	F-11
19615-GJ5-000	F-14	23412-NF4-750	E- 8	23491-NF4-850	E- 8	24712-NC8-000	F-11
		23421-NF4-780	E- 8	23501-NF4-780	E- 8		
		23421-NF4-870	E- 8	23501-NF4-850	E- 8		
		23421-NF4-880	E- 8	23802-NF4-910	E- 8		
		23422-GB4-770	E- 8	23803-NF4-750	E- 8		

## '91 • '92-RS125R PART NO. INDEX

Part No.	Block	Part No.	Block	Part No.	Block	Part No.	Block
28000		33000		40533-NF4-751	F-11	42617-NF4-770	F- 8
28237-NF4-770	E- 5	33712-KC5-003	F-13	40534-NF4-611	F-11	42618-NF4-000	F- 8
				40534-NF4-751	F-11	42619-NF4-000	F- 8
				40535-NF4-611	F-11	42620-NF4-770	F- 8
				40535-NF4-632	F-11	42704-NF5-710	F- 3
30000		35000		40535-NF4-751	F-11		F- 8
30410-NF4-611	F-14	35130-NF4-000	F- 1	40535-NF4-761	F-11	42720-NC8-000	F- 3
30410-NF4-782	F-14			40543-KJ1-700	F-11		F- 8
30407-MF2-000	F- 2			40543-NF4-000	F-11	42721-NC8-000	F- 3
30500-NF4-780	F-12	37000		40544-KJ1-700	F-11		F- 8
30501-NF4-780	F-12						
30700-KM9-153	F-12	37250-NF4-771	F-14	41000		43000	
		37260-NF4-610	F-14				
		37260-NF4-780	F-14	41102-NF4-760	F- 8	43100-NF4-770	F- 9
31000		37460-NF4-030	F-14	41103-NF4-760	F- 8	43109-MA3-006	F- 4
		37460-NF4-611	F-14	41104-NF4-760	F- 8		F- 9
31100-NF4-781	E- 2	37870-NF4-611	F-14	41105-NF4-760	F- 8	43111-NF4-750	F- 9
31110-NF4-781	E- 2			41106-NF4-760	F- 8	43122-NF4-770	F- 8
31120-NF4-771	E- 2			41107-NF4-760	F- 8	43122-NF5-760	F- 8
31901-NF4-772	E- 1	40000		41108-NF4-760	F- 8	43209-MA3-006	F- 4
31902-NF4-872	E- 1			41109-NF4-760	F- 8		F- 9
31903-NF4-872	E- 1	40530-NF4-611	F-11	41110-NF4-760	F- 8	43310-NF4-781	F- 9
31910-NF4-000	E- 1	40530-NF4-632	F-11			43352-568-003	F- 4
		40530-NF4-751	F-11			43353-461-771	F- 4
		40530-NF4-761	F-11	42000		43500-NF4-770	F- 9
32000		40531-NF4-611	F-11			43503-NF4-000	F- 9
		40531-NF4-632	F-11	42301-NF4-000	F- 8	43504-NF4-770	F- 9
32110-NF4-000	E- 6	40531-NF4-751	F-11	42304-NF4-770	F- 8	43541-ND5-750	F- 9
32114-NF4-780	F-12	40531-NF4-761	F-11	42305-NF4-750	F- 9		
		40532-NF4-611	F-11	42600-NF4-780	F- 8		
		40532-NF4-751	F-11	42615-ND5-750	F- 8		
		40533-NF4-611	F-11	42616-NF4-000	F- 8		

## '91 • '92-RS125R PART NO. INDEX

Part No.	Block	Part No.	Block	Part No.	Block	Part No.	Block
44000		45530-MN9-305	F- 4	51000		52402-NF4-881	F- 5
		45530-NF4-760	F- 4			52403-NF4-881	F- 5
44301-NF4-770	F- 3			51400-NF4-781	F- 5	52420-NF4-781	F- 5
44303-NF4-000	F- 3			51401-NF4-781	F- 5	52422-NF5-952	F-11
44600-NF4-780	F- 3	46000		51403-MA0-771	F- 5	52452-GC4-831	F- 5
44620-NF4-000	F- 3			51403-NF4-881	F- 5	52455-NF4-781	F- 5
		46182-500-013	F- 9	51404-NF4-881	F- 5	52459-NF4-781	F- 5
		46500-NF4-780	F-10	51410-NF4-781	F- 5	52469-NC8-000	F-11
45000		46501-ND4-750	F-10	51412-422-003	F- 5	52486-ND9-000	F-11
			F-11	51414-469-003	F- 5		
45105-GM9-743	F- 9			51415-KL4-951	F- 5		
45105-NF4-770	F- 4			51415-NF4-781	F- 5	53000	
45106-NF4-770	F- 4	50000		51421-NF4-771	F- 5		
45108-GM9-741	F- 9			51430-NF4-781	F- 5	53105-NF4-770	F- 1
45108-ML7-921	F- 4	50100-NF4-780	F-12	51432-NF4-781	F- 5	53111-NF4-770	F- 1
45109-GE2-006	F- 4	50184-NF4-750	F-12	51435-NF4-781	F- 5	53112-NF4-770	F- 1
45120-NF4-611	F- 3	50200-NF4-000	F-12	51437-461-003	F- 5	53122-NF4-770	F- 1
45120-NF4-771	F- 3	50252-KA4-700	F- 5	51447-KL4-951	F- 5	53141-NF4-003	F- 1
45125-NF4-611	F- 4	50252-NF4-750	F- 5	51455-NF4-781	F- 5	53165-422-000	F- 1
45125-NF4-771	F- 4	50258-NF4-000	F-12	51500-NF4-781	F- 5	53166-422-000	F- 1
45133-MA3-006	F- 9	50383-GK4-630	F-14	51521-NF4-771	F- 5	53167-KS6-000	F- 1
45200-NF4-611	F- 4	50500-ND4-750	F-12			53168-KS6-000	F- 1
45200-NF4-770	F- 4	50611-NF4-770	F-10			53169-ML3-790	F- 1
45203-MG3-016	F- 4	50630-NF4-770	F-10	52000		53170-MJ4-006	F- 4
		50640-NF4-770	F-10			53171-MJ4-006	F- 4
45209-GE2-006	F- 4	50642-NF4-770	F-10	52100-NF4-780	F-11	53172-430-003	F- 1
45215-GE2-006	F- 9	50643-NF4-770	F-10	52146-NF4-000	F-11	53172-MJ4-006	F- 4
45215-ML7-922	F- 4	50803-NF4-610	F-14	52158-HB5-003	F-10	53173-376-000	F- 1
45500-NF4-770	F- 4	50810-NF4-780	F-14	52159-467-000	F-10	53173-MJ4-006	F- 4
45513-MB4-673	F- 4	50811-NF4-770	F-14	52170-NF4-770	F-11	53174-463-770	F- 4
45517-166-006	F- 4	50815-NF4-610	F-14	52400-NF4-611	F- 5	53174-MJ4-006	F- 4
45518-MB4-671	F- 4	50815-NF5-710	F-14	52400-NF4-781	F- 5	53175-MJ4-006	F- 4
45520-MA5-672	F- 4			52401-NF4-781	F- 5	53176-MJ4-016	F- 4

## '91 • '92-RS125R PART NO. INDEX

Part No.	Block	Part No.	Block	Part No.	Block	Part No.	Block
53177-KV0-006	F- 4	64240-NF4-000	F-14	90108-NF4-000	F- 4	90321-KF0-000	F- 1
53178-399-700	F- 1			90113-HB3-000	F-10	90401-430-000	E- 6
53179-MJ4-016	F- 4			90113-ND5-761	F- 3	90401-NF4-780	E- 5
53192-KA3-700	F- 1	77000		90114-310-000	F- 1	90404-NF4-881	F- 5
53200-NF4-770	F- 2			90114-MA5-671	F- 4	90405-HA0-000	F- 6
53200-NF4-870	F- 2	77101-NF4-780	F- 6	90116-383-721	F- 5	90408-NF4-000	F- 8
53214-371-010	F- 2	77105-NF4-750	F- 6	90117-NF4-780	F-12	90409-NF4-000	F- 8
53214-430-003	F- 2	77220-NF4-760	F- 6	90121-NF4-003	F-11	90428-958-000	E- 9
53229-KN5-650	F- 2	77221-NF5-760	F- 6	90134-ND5-000	E- 3	90432-428-000	E- 5
53230-NF4-770	F- 2	77238-MR7-300	F- 6		F-12	90435-HB3-000	E- 9
53230-NF4-870	F- 2			90145-MS9-611	F- 4	90437-611-000	E- 2
53700-NF4-771	F- 2				F- 9	90437-NF5-710	E- 2
		80000		90145-NN0-000	F- 4	90441-422-000	E- 1
61000		80100-NF4-760	F-12	90178-NC8-000	F-10	90441-KS6-700	E- 6
61100-NF4-610	F- 2			90201-415-000	F- 4	90443-107-000	E- 1
61100-NF4-770	F- 2	90000		90201-KV3-700	F-11	90443-GC8-000	F- 6
61103-430-000	F- 7			90235-KA4-000	E- 5	90446-357-000	E- 8
		90001-NF4-610	E- 6	90301-473-003	F- 7	90447-KE1-000	E- 4
		90001-NF4-760	E- 6		F-10	90452-115-000	E- 8
64000		90003-MC7-000	F- 3	90301-MG8-000	F-11	90452-178-000	E- 8
		90013-430-000	E- 5	90302-NF4-000	F-14	90456-KA4-000	E- 5
64100-NF4-610	F-14	90015-KS6-700	E- 4	90304-GA6-003	F-12	90456-NF4-780	E- 5
64100-NF4-770	F-14	90016-KS6-700	E- 4		F-12	90461-444-000	E- 8
64101-NF4-610	F-14	90016-ML3-680	E- 4	90304-KA3-710	F- 5	90464-444-000	E- 8
64101-NF4-770	F-14	90022-MG8-000	E- 9	90305-GE8-003	F-12	90475-425-000	F- 9
64105-NF4-000	F- 5	90081-NC2-000	E- 6		F- 2	90501-KA3-741	E- 8
	F- 6	90103-NF4-000	F-12	90305-MC0-003	F- 3	90501-NF4-750	F-12
	F-14	90105-KR3-000	F- 8	90306-NF5-003	F- 8	90502-NF4-760	F-12
64109-ND5-750	F-14	90106-NF4-770	F- 6	90309-428-731	F-11	90503-428-870	F- 2
64110-NF4-780	F-14		F-14		F- 5	90506-430-000	F- 7
64210-NF4-770	F-14	90107-NF4-003	F- 5	90310-NF4-000	F- 7	90506-NF4-000	F-12
					F-10	90510-NF4-770	F-10
					F-14	90543-273-000	E- 1



## '91 • '92-RS125R PART NO. INDEX

Part No.	Block	Part No.	Block	Part No.	Block	Part No.	Block
	E- 3	91004-430-003	E- 6	91351-KB7-003	F- 5	94000	
	E- 4	91007-KA3-740	E- 4		F-11		
	F- 5	91008-NF5-761	E- 7	91357-964-006	F- 8	94001-06200-0S	F-11
	F-12	91011-KS6-003	E- 5			94002-08000-0S	F- 9
90544-283-000	F- 5	91012-KA3-710	E- 6				F-11
90545-300-000	F- 4	91022-KA4-740	E- 6	92000			F-12
	F- 9	91048-NC5-000	F- 9			94012-10000-0S	F-12
90601-360-000	E- 8	91052-NF4-000	F- 8	92101-05028-0A	F-12	94050-06000	F- 1
90602-360-000	E- 8	91053-ND9-000	F- 2	92900-08032-0E	E- 1	94050-08000	E- 1
90651-NC8-000	F- 1	91053-NF4-000	F-12	92900-08035-3E	E- 6		F- 9
	F- 4	91054-ND6-700	F- 2	92900-08040-3E	E- 6		F-11
	F- 6	91055-NF4-000	F-12			94050-12000	E- 2
	F- 9	91056-NF4-000	F-12			94101-03000	F-14
	F-12	91058-MG9-681	F- 6	93000		94101-03800	F- 4
	F-13	91060-NL0-000	F- 2			94101-06000	F-10
	F-14	91080-NC8-300	F-13	93300-06016-0A	E- 9		F-11
90651-NF4-000	F- 3		F-14	93404-06016-00	F- 6	94102-08000	F- 2
90652-ND5-000	F- 4	91081-NF4-003	F- 7	93404-06020-00	F- 6		F- 9
	F- 9	91201-148-003	E- 4		F-11		F-10
	F-12	91201-965-000	E- 4	93404-06020-08	E- 5		F-12
90652-NF4-000	F- 3	91201-KS6-004	E- 6	93500-03006-0A	F- 4	94102-10000	F-13
	F- 8	91201-NF4-781	E- 6	93500-03006-0H	E- 6	94103-05800	F-12
	F-12	91202-KA3-712	E- 6	93500-03008-0H	E- 6	94103-06800	F- 7
90653-NC8-000	F-14	91203-KK3-830	E- 6	93500-03010-0A	F-14	94109-12000	E- 6
90654-NC8-000	F-14	91205-166-004	E- 6	93500-04012-1A	F- 1	94111-03800	E- 6
90655-NC8-000	F-14	91211-KA3-761	E- 4	93500-05016-0A	F- 1	94111-04000	F- 1
		91255-MA6-013	F- 5	93500-05028-0A	E- 6	94201-25200	F-12
		91301-KR3-003	F- 7	93600-04012-1G	F- 4	94201-25300	F-14
		91301-KS6-003	E- 6	93600-06012-0A	E- 6	94252-10100	F- 6
		91304-MJ0-003	E- 3	93700-04010-0G	F- 1		F-13
91001-KA3-711	E- 6	91307-PK2-005	F-14	93891-06025-07	E- 2	94252-12000	F-13
91002-466-008	E- 6	91317-381-771	F- 5	93892-04016-18	E-10	94252-16100	F-14
91002-KA4-003	E- 6	91351-KA3-711	E- 8			94301-06100	E- 1

## '91 • '92-RS125R PART NO. INDEX

Part No.	Block	Part No.	Block	Part No.	Block	Part No.	Block
94301-08140	E- 3	95801-08035-00	F- 1	96211-09000	E- 5		
	E- 6		F- 2	96220-40080	E- 4		
94301-10160	E- 6		F- 9		E- 9		
94510-14000	E- 9	95801-08045-00	F-12	96300-06018-00	E- 2		
94510-30000	F- 9	95801-10040-00	F- 5	96300-06022-00	E- 6		
		95801-10050-00	F- 5	96300-08020-07	E- 8		
				96300-08040-00	F- 5		
95000				96700-06016-17	F- 7		
		96000					
95001-75295-40	F- 6						
95002-02070	E-10	96001-06010-07	E- 1	99000			
95002-02100	F-13		E- 4				
95002-02120	F- 6	96001-06018-00	F- 2	99101-357-1600	E-10		
	F- 9		F- 7	99101-357-1620	E-10		
95002-45000	F- 6	96001-06020-00	F-12	99101-357-1650	E-10		
95003-10003-31	F- 6	96001-06022-00	F- 1	99101-357-1680	E-10		
95003-10058-31	F- 6		F-10	99101-357-1700	E-10		
95003-14023-10	F-13	96001-06028-00	F- 2	99101-357-1720	E-10		
95003-17023-10	F-13		F- 7	99101-357-1750	E-10		
95012-12001	E-14		F-11	99101-357-1780	E-10		
95014-62200	F-14	96001-06032-00	F-14	99101-357-1800	E-10		
95301-08032-00	F- 2	96001-06032-07	E- 3	99101-357-1820	E-10		
95701-06016-00	F- 7	96001-06040-07	E- 3	99101-357-1850	E-10		
	F-13	96001-06045-07	E- 6	99101-357-1880	E-10		
95701-06025-00	F- 4	96001-06050-07	E- 6	99101-357-1900	E-10		
95801-06022-00	F-11	96001-06075-07	E- 6	99101-357-1920	E-10		
95801-06025-00	F-10	96001-06085-07	E- 6	99101-357-1950	E-10		
	F-11	96100-60030-00	E- 6	99101-357-1980	E-10		
95801-08022-08	F- 7	96100-60040-00	E- 6	99101-357-2000	E-10		
95801-08025-00	F-10	96140-60030-00	E- 6	99101-357-2050	E-10		
95801-08028-00	F- 4	96140-62020-10	F- 3	99103-437-0450	E-10		
	F-12		F- 8	99103-437-0480	E-10		
95801-08032-08	F- 7	96150-60030-10	F-12	99103-437-0500	E-10		



