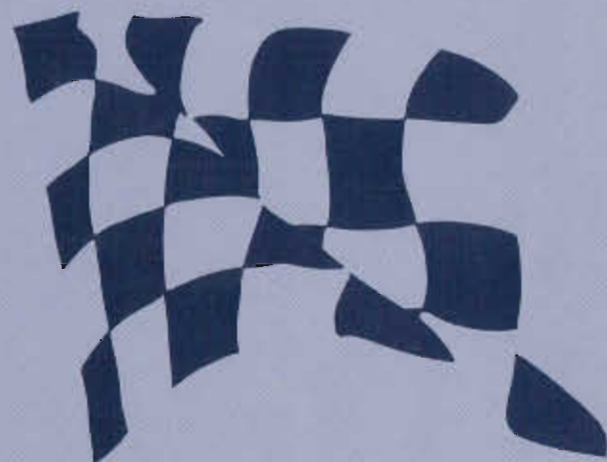




PARTS LIST

'94-RS125R



'93 · '94 RS125R PARTS LIST

CONTENTS

INSTRUCTION FOR USE OF PARTS LIST 3

ENGINE GROUP

E- 1 Cylinder · Cylinder head ('93 · '94 RS125R) 4

E- 2 L. crankcase cover · A.C. generator ('93 · '94 RS125R) 5

E- 3 R. crankcase cover ('93 · '94 RS125R) 6

E- 4 Water pump ('93 · '94 RS125R) 7

E- 5 Clutch ('93 · '94 RS125R) 8

E- 6 Crankcase ('93 · '94 RS125R) 9

E- 7 Piston · Crankshaft ('93 · '94 RS125R) 11

E- 8 Transmission ('93 · '94 RS125R) 12

E- 9 Gear shift drum ('93 · '94 RS125R) 14

E-10 Carburetor ('93 · '94 RS125R) 15

FRAME GROUP

F- 1 Steering handle · Cable ('93 · '94 RS125R) 17

F- 2 Steering stem · Steering damper · Front fender ('93 · '94 RS125R) .. 18

F- 3 Front wheel ('93 · '94 RS125R) 19

F- 4 Front caliper · Master cylinder ('93 · '94 RS125R) 20

F- 5 Front fork · Rear cushion ('93 RS125R) 22

F- 5-1 Front fork · Rear cushion ('94 RS125R) 24

F- 6 Fuel tank · Seat ('93 · '94 RS125R) 26

F- 7 Expansion chamber ('93 · '94 RS125R) 27

F- 8 Rear wheel ('93 · '94 RS125R) 28

F- 9 Rear brake · Rear master cylinder ('93 · '94 RS125R) 29

F-10 Step · Brake pedal ('93 · '94 RS125R) 30

F-11 Change pedal · Rear fork ('93 · '94 RS125R) 31

F-12 Ignition coil · Frame body ('93 · '94 RS125R) 33

F-13 Radiator ('93 · '94 RS125R) 34

F-14 Tachometer · Cowling ('93 · '94 RS125R) 35

INDEX 36

INDEX

FOREWORD INDEX

1

ENGINE GROUP

2

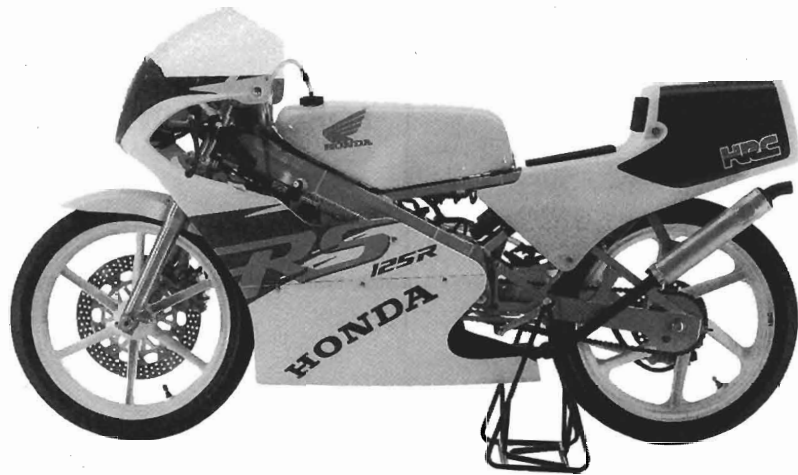
FRAME GROUP

3

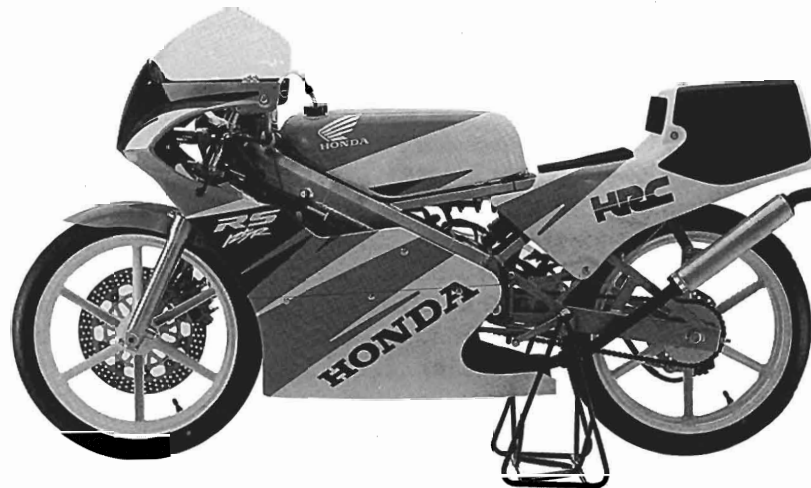
INDEX

4

1



'93 MODEL
 (RS125RF-9310001 ~)
 (RS125RE-9310001 ~)



'94 MODEL
 (RS125RF-9410001 ~)
 (RS125RE-9410001 ~)

NOTE) Picture and illustration may differ from actual vehicle.

No part of this publication may be reproduced without written permission.

注) 写真及びイラストは、実車と異なる場合があります。

HONDA RACING CORPORATION

Head Office/Nobidome 8-18-4, Niiza-shi, Saitama-ken, Japan
 TEL.048-481-2511 HRC-J TELFAX.048-477-6361
 European Office/Wijngaardveld 1,9300 Aalst, Belgium
 TEL.053-78-6131 TELEX.11063 HRCE B TELFAX.053-77-5767

株式会社 ホンダレーシング

〒352 埼玉県新座市野火止8丁目18番4号
 営業ブロック直通 TEL.048-477-9538

TEL.048-481-2511
 FAX.048-478-7531

不許複製

INSTRUCTION FOR USE OF PARTS LIST

This parts list is to be used when ordering replacement parts; it contains all parts for model '93 · '94RS125R.

I. How to order parts

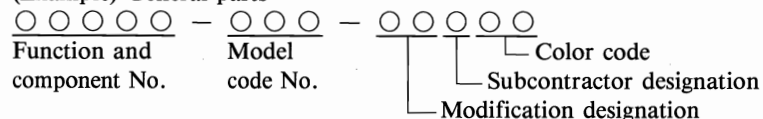
● Information required

- Replacement parts orders must contain both the part number and the stamped number(s) as described below. This is because any changes and modifications of parts are registered at HONDA with the pertinent parts and stamped numbers.
- If quantities are shown in (), the parts are optional.
- If "N" is indicated in the quantity column, the parts quantity is to be determined as required.

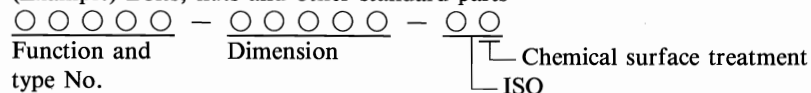
II. How to read this parts list

● Make-up of the part number

(Example) General parts



(Example) Bolts, nuts and other standard parts



● Abbreviations

The following abbreviations are used in this parts list.

A.C. Alternating current	R. Right
ASSY. Assembly	STD. Standard
COMP. Complete	T(22T) Tooth (22 Teeth)
G Gram	C.D.I. Capacitive Discharge Ignition
L. Left	T.W. Thermo Water
L(100L). Link (100 Links)	
mm. Millimeter	

● Serial number

Frame No. '93 RS125RF-9310001~, '94 RS125RF-9410001~
Engine No. '93 RS125RE-9310001~, '94 RS125RE-9410001~

Note:

- The parts which have a dot "•" on the left side of the "Ref. No." are exclusive for HRC products. To purchase these parts, consult your dealer from which you purchased your motorcycle.
- The parts which have no dot are those of the Honda products and can be purchased from your nearest Honda motorcycle dealer, or from HRC-EUROPE unless you can get the parts because of local situation.

パーツリストのご使用について

● 部品の注文、修理などの資料としてお使いください。

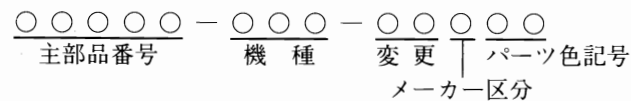
- 販売対象部品を収録してあります。
- 部品注文は部品番号でご連絡ください。
(部品は変更される場合がありますのでタイプ・色・メーカー名・号機を必要に応じて一緒にご連絡ください。)
- 使用個数に () がつけられている部品はオプション部品です。
- 使用個数が "N" と示されている部品は必要に応じて選択して使用する部品です。

● 部品に変更があったとき

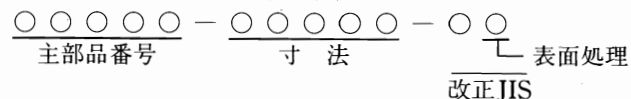
- Remarksに号機が記載されます。号機が記載されていない部品は初号機から使用しています。
- 部品名欄に部品番号が記載されているものはその部品番号に統一されたことを示します。

● 部品番号の構成

〈例〉 一般部品



〈例〉 ボルト・ナット・その他の標準部品



● 略語

・パーツリストには下記の略語が使用されています。

A.C. オルタネーティング	mm ミリメートル
カーレント (交流)	R. ライト (右)
ASSY. アッセンブリー	STD. スタンダード
COMP. コンプリート	T(22T) チョウ (歯数22)
G グラム	C.D.I. キャパシティブディスチャージ
L. レフト (左)	イグニッション (容量放電点火)
L(100L) リンク (駒数100)	T.W. サーモウォーター (水温)

● 打刻号機

フレームNo. '93 RS125RF-9310001~, '94 RS125RF-9410001~
エンジンNo. '93 RS125RE-9310001~, '94 RS125RE-9410001~

※ Ref. No. の左側に

- 印のついている部品は HRC 専用部品です。HRC サービスショップにご注文するか又は、お買い求めの HRC 販売店にご相談下さい。
- 印のついていない部品は本田技研工業(株)の量産部品を流用しています。最寄りのホンダ二輪販売店でお求め下さい。

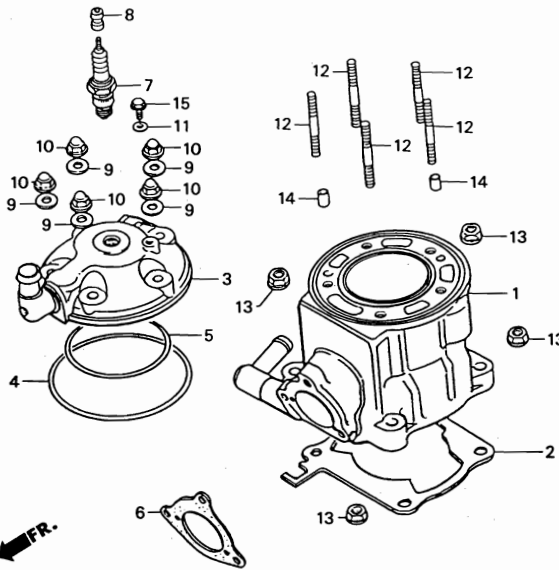
Block No.

E-1

Cylinder • Cylinder head

'93 RS125R

'94 RS125R



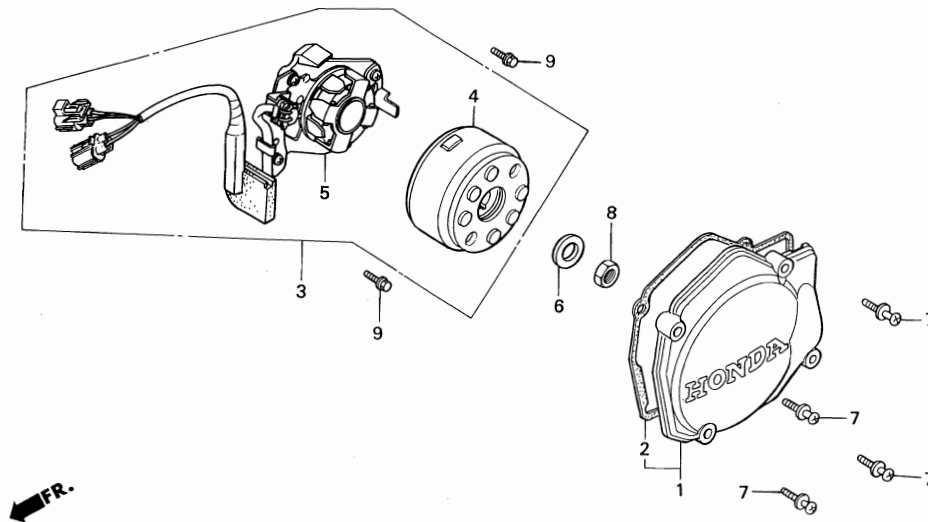
2

Ref. No.	Part No.	Description	Reqd. No.		Remarks	Ref. No.	Part No.	Description	Reqd. No.		Remarks
			'93	'94					'93	'94	
• 1	12100-NF4-651	CYLINDER COMP	1	—							
• 2	12100-NF4-900	CYLINDER COMP	—	1							
• 3	12191-NF4-610	GASKET, cylinder	1	1							
• 4	12200-NF4-650	HEAD COMP., cylinder	1	—							
• 5	12200-NF4-900	HEAD COMP., cylinder	—	1							
• 6	12212-ND5-003	O-RING, 96 x 2.4	1	1							
• 7	12213-ND5-000	O-RING, 61 x 1.9	1	1							
• 8	18331-NF4-780	GASKET, exhaust joint	1	1							
• 9	31901-NF4-651	SPARK PLUG, R6385-105P	1	1							
• 10	31902-NF4-671	SPARK PLUG, R6385-11P	(1)	(1)							
• 11	31903-NF4-671	SPARK PLUG, R6385-10P	(1)	(1)							
• 12	31910-NF4-000	NUT, spark plug	(1)	(1)							
• 13	90441-422-000	WASHER, sealing 8 mm	5	5							
• 14	90443-107-000	NUT, cap, 8 mm	5	5							
• 15	90543-273-000	PACKING, front fork drain cock ...	1	1							
• 16	92900-08032-0E	BOLT, stud II, 8 x 32	5	5							
• 17	94050-08000	NUT, flange, 8 mm	4	4							
• 18	94301-06100	PIN, dowel, 6 x 10	2	2							
• 19	96001-06010-07	BOLT, flange, SH, 6 x 10	1	1							

Block No.

E-2

**L. crankcase cover •
A.C. generator
'93 RS125R
'94 RS125R**



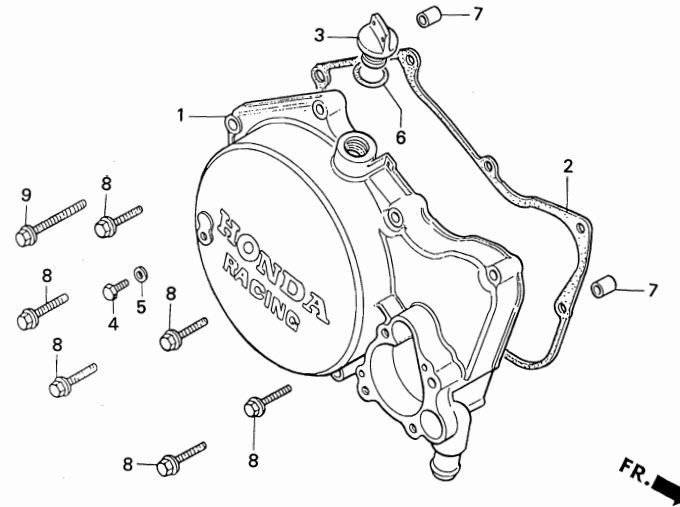
Ref. No.	Part No.	Description	Reqd. No.		Remarks	Ref. No.	Part No.	Description	Reqd. No.		Remarks
			'93	'94					'93	'94	
1	11350-KS6-701	COVER ASSY., L. case	1	1							
2	11352-KS6-700	SEAL, L cover	1	1							
• 3	31100-NF4-651	A.C. GENERATOR ASSY.	1	—							
•	31100-NF4-901	A.C. GENERATOR ASSY.	—	1							
• 4	31110-NF4-781	FLYWHEEL COMP	1	—							
•	31110-NF4-901	FLYWHEEL COMP	—	1							
• 5	31120-NF4-651	STATOR COMP	1	—							
•	31120-NF4-901	STATOR COMP	—	1							
• 6	90437-NF5-710	WASHER, plain, 12 mm	1	1							
7	93891-06025-07	SCREW WASHER, 6 x 25	4	4							
8	94001-12200-0S	NUT, hex., 12 mm	1	1							
9	96300-06018-00	BOLT, flange, DR 6 x 18	2	2							

2

Block No.

E-3

R. crankcase cover
'93 RS125R
'94 RS125R



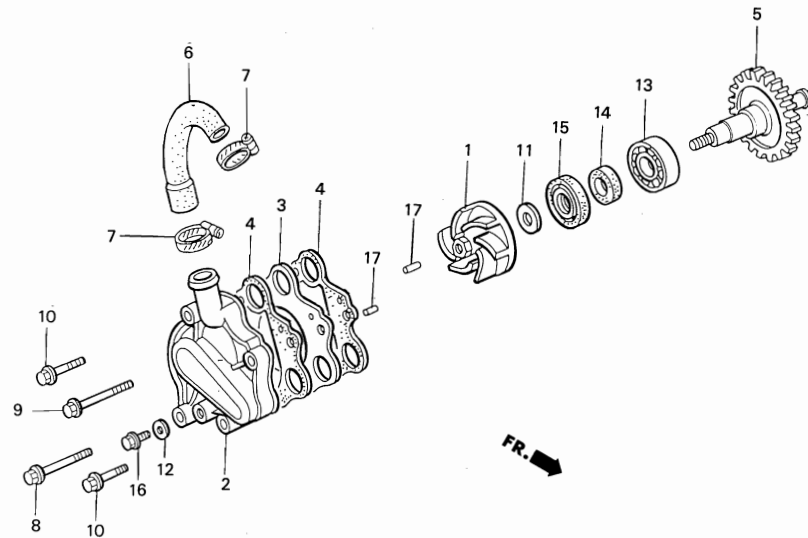
2

Ref. No.	Part No.	Description	Reqd. No.		Remarks	Ref. No.	Part No.	Description	Reqd. No.		Remarks
			'93	'94					'93	'94	
• 1	11340-NF4-780	COVER COMP., R. crank case	1	1							
• 2	11394-NF4-610	GASKET, R. cover	1	1							
• 3	15611-ND5-000	CAP, oil filler	1	—							
•	15611-NF4-900	CAP, oil filler	—	1							
• 4	90134-ND5-000	BOLT, flange, 6 x 10	1	1							
5	90543-273-000	PACKING, front fork drain cock ...	1	1							
6	91304-MJ0-003	O-RING,	1	1							
7	94301-08140	PIN, dowel, 8 x 14	2	2							
8	96001-06032-07	BOLT, flange, SH, 6 x 32	6	6							
9	96001-06040-07	BOLT, flange, SH, 6 x 40	1	1							

Block No.

E-4

Water pump '93 RS125R '94 RS125R

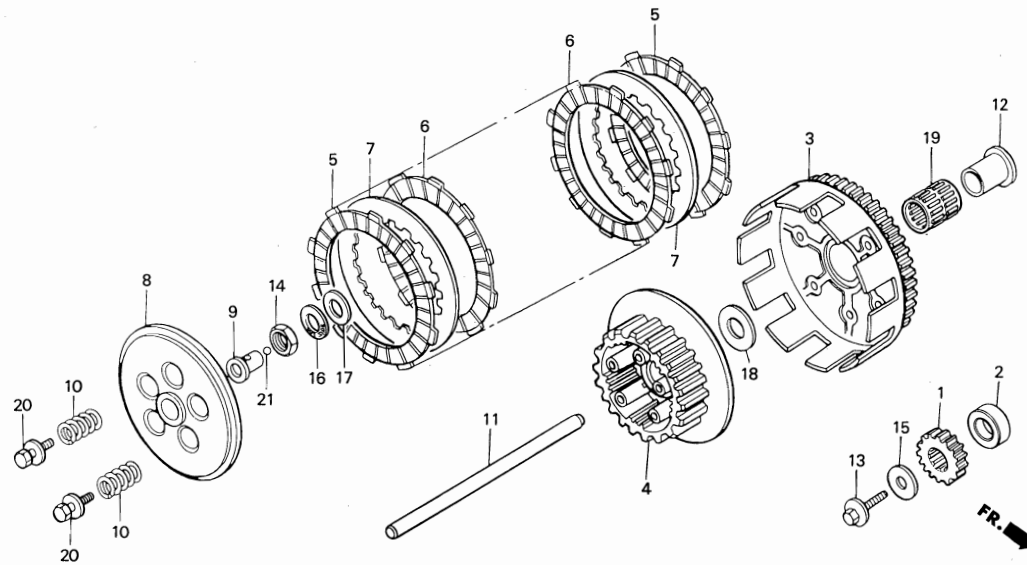


Ref. No.	Part No.	Description	Reqd. No. '93	Reqd. No. '94	Remarks	Ref. No.	Part No.	Description	Reqd. No. '93	Reqd. No. '94	Remarks
1	19215-KA3-740	IMPELLER, water pump	1	1							
2	19221-KS6-700	COVER, water pump	1	1							
3	19222-KS6-700	SEPARATER, water pump	1	1							
4	19229-KS6-880	GASKET, water pump	2	—							
•	19229-NF4-901	GASKET, water pump	—	2							
•	5	19240-NF4-650	SHAFT COMP., water pump (22T)	1	—						
•	19240-NF4-900	SHAFT COMP., water pump (22T)	—	1							
•	6	19501-NF4-000	HOSE, water	1	1						
7	19517-MB6-000	CLAMP B, water hose	2	2							
8	90015-KS6-700	BOLT, flange, 6 x 75	1	1							
9	90016-KS6-700	BOLT, flange, 6 x 80	1	1							
10	90016-ML3-680	BOLT, flange, SH, 6 x 30	2	2							
11	90447-KE1-000	WASHER, sealing 7 mm	1	1							
12	90543-273-000	PACKING, front fork drain cock ...	1	1							
13	91007-KA3-740	BEARING, ball, 12 x 24 x 6	1	1							
14	91201-965-000	OIL SEAL, 12 x 22 x 5	1	1							
15	91211-KA3-761	SEAL, water pump	1	1							
16	96001-06010-07	BOLT, flange, SH, 6 x 10	1	1							
17	96220-40080	ROLLER, 4 x 8	2	2							

2

Block No.

E-5
Clutch
 '93 RS125R
 '94 RS125R

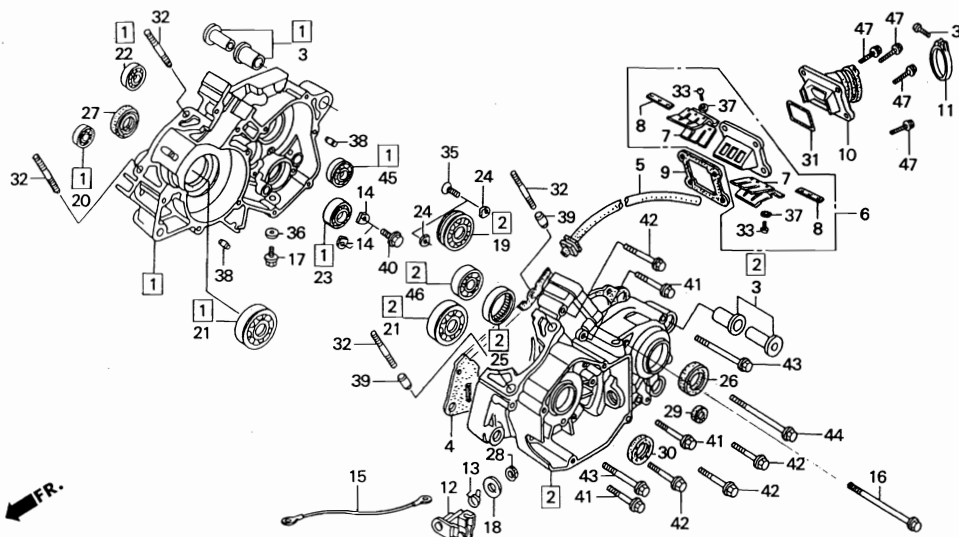


2

Ref. No.	Part No.	Description	Reqd. No. '93	Reqd. No. '94	Remarks	Ref. No.	Part No.	Description	Reqd. No. '93	Reqd. No. '94	Remarks
• 1	13615-NF4-650	GEAR, primary drive (21T)	1	1		20	93404-06020-08	BOLT WASHER, 6 x 20	5	5	
• 2	13617-NF4-780	COLLAR, driver gear	1	1		21	96211-09000	BALL, steel, #9	1	1	
• 3	22100-NF4-650	OUTER COMP., clutch (62T)	1	—							
• 4	22100-NF4-900	OUTER COMP., clutch (62T)	—	1							
• 4	22120-NF4-780	CENTER, clutch	1	1							
• 5	22201-NF4-000	DISK A, clutch friction	2	2							
• 6	22203-NF4-761	DISK C, clutch friction	5	5							
7	22321-KF0-770	PLATE, clutch	6	6							
• 8	22351-NF4-760	PLATE, clutch pressure	1	1							
9	22352-KA4-000	PIECE, clutch lifter	1	1							
10	22401-KA3-710	SPRING, clutch	5	5							
11	22850-KZ4-000	ROD, clutch lifter	1	1							
• 12	28237-NF4-770	COLLAR, distance, 20 x 25 x 25.5 ..	1	1							
13	90013-430-000	BOLT, special, 10 x 25	1	1							
14	90235-KA4-000	NUT, 18 mm	1	1							
• 15	90401-NF4-780	WASHER, 10 x 30 x 3.5	1	1							
16	90432-428-000	WASHER, lock	1	1							
17	90456-KA4-000	WASHER, thrust, 18 x 32	1	1							
• 18	90456-NF4-780	WAHSER, thrust, 20 mm	1	1							
19	91011-KS6-003	BEARING, needle, 25 x 29 x 22	1	1							

Block No.

E-6
Crankcase
'93 RS125R
'94 RS125R

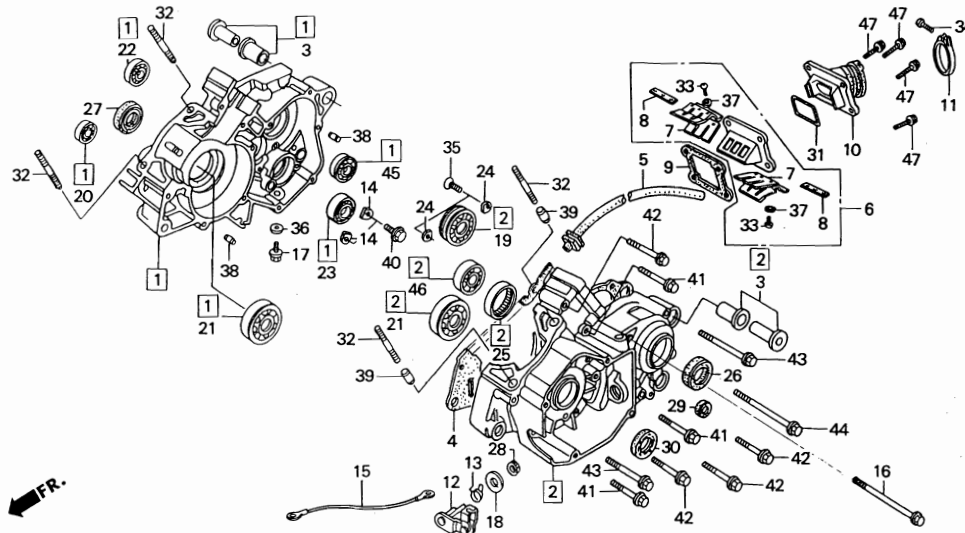


2

Ref. No.	Part No.	Description	Reqd. No. '93	Reqd. No. '94	Remarks	Ref. No.	Part No.	Description	Reqd. No. '93	Reqd. No. '94	Remarks
• 1	11010-NF4-650	CRANKCASE ASSY., R	1	1		20	91002-KA4-003	BEARING, ball, 7 x 19 x 6	1	1	
• 2	11011-NF4-650	CRANKCASE ASSY., L	1	1		• 21	04103-NF4-305	BEARING, ball, radial, 63/22	2	2	
• 3	11012-NF4-750	BUSH SET, rear engine mount	2	2		22	91004-GF9-003	BEARING, ball, radial, 6004	1	1	
• 4	11191-NF4-650	GASKET, crankcase	1	1		23	91004-430-003	BEARING, ball, radial, 6905Z	1	1	
5	11211-GC4-701	TUBE, breather	1	1		24	91012-KA3-710	PLATE, countershaft bearing	2	2	
• 6	14100-NF4-611	REED VALVE ASSY.,	1	1		25	91022-KA4-740	BEARING, shell, 33 x 38 x 8	1	1	
• 7	14111-NF4-780	REED VALVE ONLY	2	2		26	91201-KS6-004	OIL-SEAL, 26 x 37 x 7	1	1	
• 8	14122-NF4-611	SPACER, reed valve	2	2		• 27	91201-NF4-781	OIL-SEAL, 30 x 45 x 9	1	1	
• 9	14132-NF4-651	GASKET, reed valve	1	1		28	91202-KA3-712	OIL-SEAL, 10 x 17 x 4	1	1	
• 10	16220-NF4-780	INSULATOR, carburetor	1	—		29	91203-KK3-830	OIL-SEAL, 14 x 22 x 5	1	1	
• 11	16220-NF4-900	INSULATOR, carburetor	—	1		30	91205-166-004	OIL-SEAL, 20 x 32 x 7	1	1	
11	16223-KA5-690	BAND, insulator	1	1		31	91301-KS6-003	O-RING, special	1	1	
12	22810-KS6-700	LIFTER COMP., clutch	1	1		32	92900-08040-3E	BOLT, stud, (II), 8 x 40	4	4	
13	22815-KS6-700	SPRING, clutch lever	1	1		33	93500-03008-0H	SCREW, pan, 3 x 8	6	6	
14	23521-KW3-000	PLATE A, bearing set	2	2		34	93500-05028-0A	SCREW, pan, 5 x 28	1	1	
• 15	32120-NF4-900	HARNESS, sub earth	1	1		35	93600-06012-0A	SCREW, flat, 6 x 12	2	2	
• 16	90001-NF4-650	BOLT, flange, SH, 6 x 85	1	1		36	94109-12000	WASHER, plug, drain, 12 mm	1	1	
• 17	90081-NC2-000	BOLT, drain, 12 mm	1	1		37	94111-03800	WASHER, spring, 3 mm	6	6	
18	90401-430-000	WASHER, 10.2 mm	1	1		38	94301-08140	PIN, dowel, 8 x 14	2	2	
19	91001-KA3-711	BEARING, ball, 6204	1	1							

Block No.

E-6
Crankcase
'93 RS125R
'94 RS125R



2

Ref. No.	Part No.	Description	Reqd. No. '93	Reqd. No. '94	Remarks	Ref. No.	Part No.	Description	Reqd. No. '93	Reqd. No. '94	Remarks
39	94301-10160	DOWEL PIN, 10 x 16	2	2							
40	96001-06014-00	BOLT, flange, SH, 6 x 14	2	2							
41	96001-06045-07	BOLT, flange, SH, 6 x 45	3	3							
42	96001-06050-07	BOLT, flange, SH, 6 x 50	4	4							
43	96001-06075-07	BOLT, flange, SH, 6 x 75	2	2							
44	96001-06085-07	BOLT, flange, SH, 6 x 85	1	1							
45	96100-60030-00	BEARING, ball, radial, 6003	1	1							
46	96140-60030-00	BEARING, ball, radial, 6003U	1	1							
47	96300-06022-00	BOLT, flange, DR, 6 x 22	4	4							

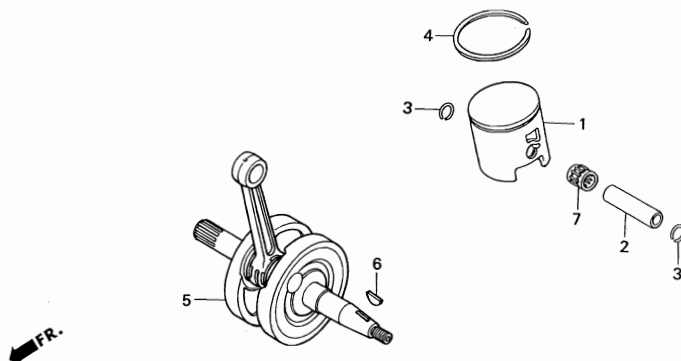
Block No.

E-7

Piston • Crankshaft

'93 RS125R

'94 RS125R



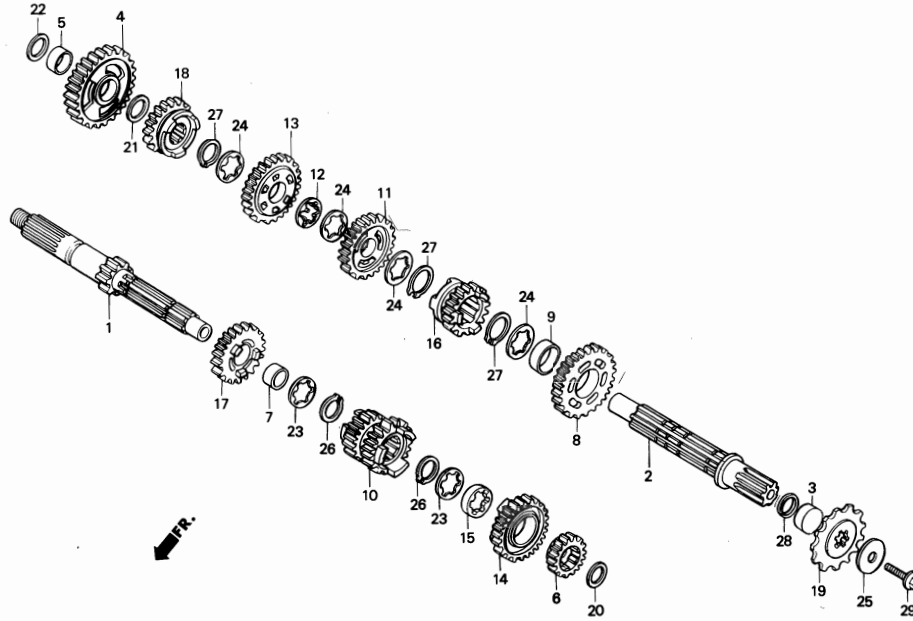
2

Ref. No.	Part No.	Description	Reqd. No. '93	Reqd. No. '94	Remarks	Ref. No.	Part No.	Description	Reqd. No. '93	Reqd. No. '94	Remarks
• 1	13100-NF4-900	PISTON COMP.	1	1							
• 2	13111-NF4-780	PIN, piston	1	—							
•	13111-NF4-900	PIN, piston	—	1							
3	13112-ML0-720	CLIP, piston, pin, 14 mm	2	2							
• 4	13121-NF4-651	RING, piston	1	1							
• 5	13300-NF4-650	CRANKSHAFT COMP.	1	—							
•	13300-NF4-900	CRANKSHAFT COMP.	—	1							
6	13331-360-000	KEY, special woodruff, 25 x 14	1	1							
• 7	91008-NF5-761	BEARING, con-rod, small end	1	1							

Block No.

E-8

Transmission
'93 RS125R
'94 RS125R



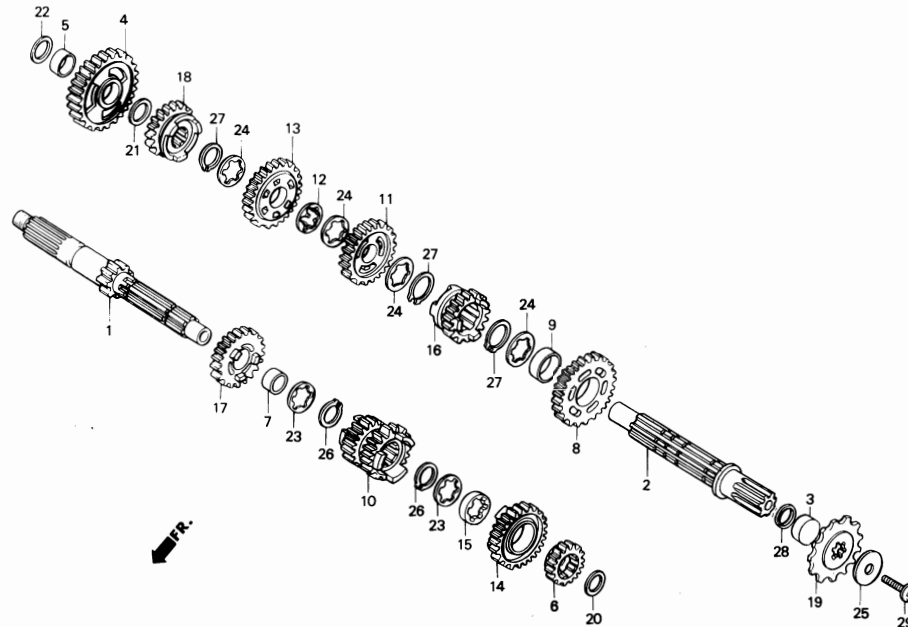
2

Ref. No.	Part No.	Description	Reqd. No. '93	Reqd. No. '94	Remarks	Ref. No.	Part No.	Description	Reqd. No. '93	Reqd. No. '94	Remarks
• 1	23210-NF4-760	SHAFT COMP., main, (17T)	1	1		•	23443-NF4-850	GEAR, M-3rd/4th, (P-2), (24T/25T)	(1)	(1)	
•	23210-NF4-850	SHAFT COMP., main, P-2, (16T) ..	(1)	(1)		•	23444-NF4-850	GEAR, M-3rd P-2/4th, P-2,(21T/25T) ...	(1)	(1)	
•	23210-NF4-860	SHAFT COMP., main, P-3, (18T) ..	(1)	(1)		•	23445-NF4-850	GEAR, M-3rd P-3/4th, P-2,(20T/25T) ...	(1)	(1)	
•	23210-NF4-880	SHAFT COMP., main, P-4, (19T) ..	(1)	(1)		•	23446-NF4-850	GEAR, M-3rd/4th(P-3), (24T/23T)	(1)	(1)	
• 2	23221-NF4-760	SHAFT, counter	1	1		•	23447-NF4-850	GEAR, M-3rd P-2/4th, P-3, (21T/23T) ..	(1)	(1)	
• 3	23225-ND4-000	COLLAR, counter shaft	1	1		•	23448-NF4-850	GEAR, M-3rd P-3/4th, P-3, (22T/23T) ..	(1)	(1)	
• 4	23411-NF4-780	GEAR, C-low, (31T)	1	1		• 11	23451-NF4-780	GEAR, C-3rd, (31T)	1	1	
•	23411-NF4-860	GEAR, C-low, P-2, (32T)	(1)	(1)		•	23451-NF4-850	GEAR, C-3rd, P-2, (28T)	(1)	(1)	
•	23411-NF4-870	GEAR, C-low, P-3, (30T)	(1)	(1)		•	23451-NF4-860	GEAR, C-3rd, P-3, (27T)	(1)	(1)	
•	23411-NF4-880	GEAR, C-low, P-4, (36T)	(1)	(1)		12	23456-KA3-000	WASHER, lock	1	1	
• 5	23412-NF4-750	COLLAR, 17 x 20 x 9	1	1		• 13	23461-NF4-780	GEAR, C-4th, (30T)	1	1	
• 6	23421-NF4-780	GEAR, M-2nd, (22T)	1	1		•	23461-NF4-870	GEAR, C-4th, P-2, (30T)	(1)	(1)	
•	23421-NF4-870	GEAR, M-2nd, P-2 (19T)	(1)	(1)		•	23461-NF4-880	GEAR, C-4th, P-3, (26T)	(1)	(1)	
•	23421-NF4-880	GEAR, M-2nd, P-3 (23T)	(1)	(1)		• 14	23471-NF4-760	GEAR, M-5th, (27T)	1	1	
7	23422-GB4-770	BUSH, 20 x 9	1	1		•	23471-NF4-850	GEAR, M-5th, P-3, (24T)	(1)	(1)	
• 8	23431-NF4-780	GEAR, C-2nd, (33T)	1	1		•	23471-NF4-860	GEAR, M-5th, P-2, (26T)	(1)	(1)	
•	23431-NF4-870	GEAR, C-2nd, P-2, (30T)	(1)	(1)		• 15	23472-ND4-000	COLLAR, M-5th gear	1	1	
•	23431-NF4-880	GEAR, C-2nd, P-3, (32T)	(1)	(1)		• 16	23481-NF4-760	GEAR, C-5th, (29T)	1	1	
• 9	23432-NF4-750	COLLAR, 22 x 25 x 9	1	1		•	23481-NF4-850	GEAR, C-5th, P-3, (25T)	(1)	(1)	
• 10	23441-NF4-780	GEAR, M-3rd/4th, (24T/26T)	1	1		•	23481-NF4-860	GEAR, C-5th, P-2, (29T)	(1)	(1)	
•	23441-NF4-850	GEAR, M-3rd(P-2)/4th, (21T/26T) ..	(1)	(1)		• 17	23491-NF4-780	GEAR, M-6th, (24T)	1	1	
•	23442-NF4-850	GEAR, M-3rd(P-3)/4th, (22T/26T) ..	(1)	(1)							

Block No.

E-8

**Transmission
'93 RS125R
'94 RS125R**

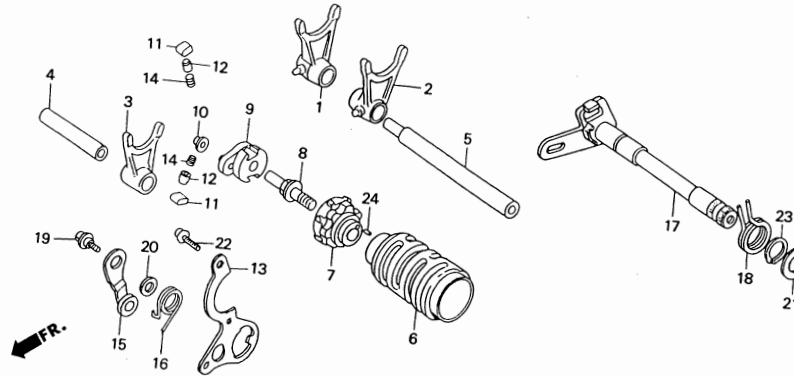


Ref. No.	Part No.	Description	Reqd. No. '93	Reqd. No. '94	Remarks	Ref. No.	Part No.	Description	Reqd. No. '93	Reqd. No. '94	Remarks
•	23491-NF4-850	GEAR, M-6th, P-3, (28T)	(1)	(1)							
•18	23501-NF4-780	GEAR, C-6th, (24T)	1	1							
•	23501-NF4-850	GEAR, C-6th, P-3, (27T)	(1)	(1)							
•19	23802-NF4-650	SPROCKET, drive (15T)	(1)	(1)							
•	23803-NF4-650	SPROCKET, drive (16T)	1	1							
•	23804-NF4-650	SPROCKET, drive (17T)	(1)	(1)							
20	90446-357-000	WASHER, thrust, 17.2 mm	1	1	(t 1.0)						
21	90452-115-000	WASHER, 17 mm	1	1	(t 1.0)						
22	90452-178-000	WASHER, thrust, 17 mm	1	1	(t 1.5)						
23	90461-444-000	WASHER, spline, 20 mm	2	2	(t 1.5)						
24	90464-444-000	WASHER, spline, 22 mm	4	4	(t 1.5)						
25	90501-KA3-741	WASHER, spring, 8 x 40	1	1							
26	90601-360-000	SET RING, 20 mm	2	2	(t 1.2)						
27	90602-360-000	SET RING, 22 mm	3	3	(t 1.2)						
28	91351-KA3-711	O-RING, 20 mm	1	1							
29	96300-08020-07	BOLT, flange, DR, 8 x 20	1	1							

Block No.

E-9

Gear shift drum '93 RS125R '94 RS125R

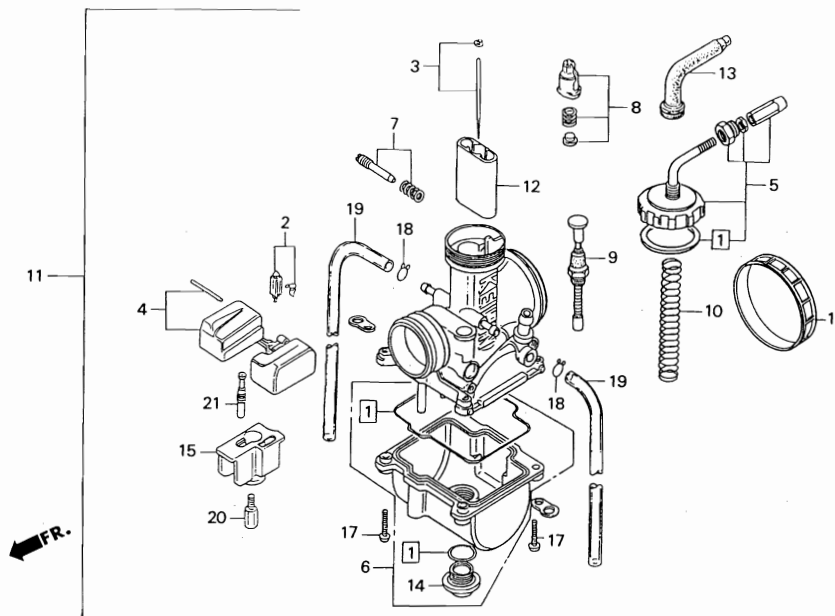


Ref. No.	Part No.	Description	Reqd. No.		Remarks	Ref. No.	Part No.	Description	Reqd. No.		Remarks
			'93	'94					'93	'94	
• 1	24211-NF4-770	FORK, R, gear shift	1	1		20	90435-HB3-000	WASHER, 6.1 mm	1	1	
• 2	24221-NF4-770	FORK, L, gear shift	1	1		21	90451-155-000	WASHER, 14 mm	1	1	
• 3	24231-NF4-770	FORK, C, gear shift	1	1		22	93300-06016-0A	BOLT, hex., 6 x 16	3	3	
4	24265-KA3-760	SHAFT, shift fork (M)	1	1		23	94510-14000	CIRCLIP, external, 14 mm	1	1	
5	24266-KA3-760	SHAFT, shift fork (C)	1	—		24	96220-40080	ROLLER, 4 x 8	1	1	
•	24266-NF4-900	SHAFT, shift fork (C)	—	1							
• 6	24311-NF4-650	DRUM, gear shift	1	1							
7	24312-KA3-741	CENTER, shift drum	1	1							
8	24315-HA0-000	PIN, shifter	1	1							
9	24320-KS6-700	SHIFTER COMP., drum	1	1							
10	24322-HA0-000	COLLAR, shifter	1	1							
11	24324-KA3-740	PAWL, ratchet	2	2							
12	24326-360-010	PLUNGER, pawl	2	2							
13	24328-KS6-700	PLATE., guide	1	1							
14	24329-KA3-740	SPRING, pawl plunger	2	2							
15	24430-KA3-740	STOPPER COMP., drum	1	1							
• 16	24435-NF4-760	SPRING, drum stopper	1	1							
17	24610-KS6-700	SPINDLE COMP., shift	1	—							
•	24610-NF4-900	SPINDLE COMP., shift	—	1							
18	24651-KV3-000	SPRING, shift return	1	1							
19	90022-MG8-000	PIVOT, shift drum stopper arm	1	1							

Block No.

E-10

Carburetor
'93 RS125R
'94 RS125R

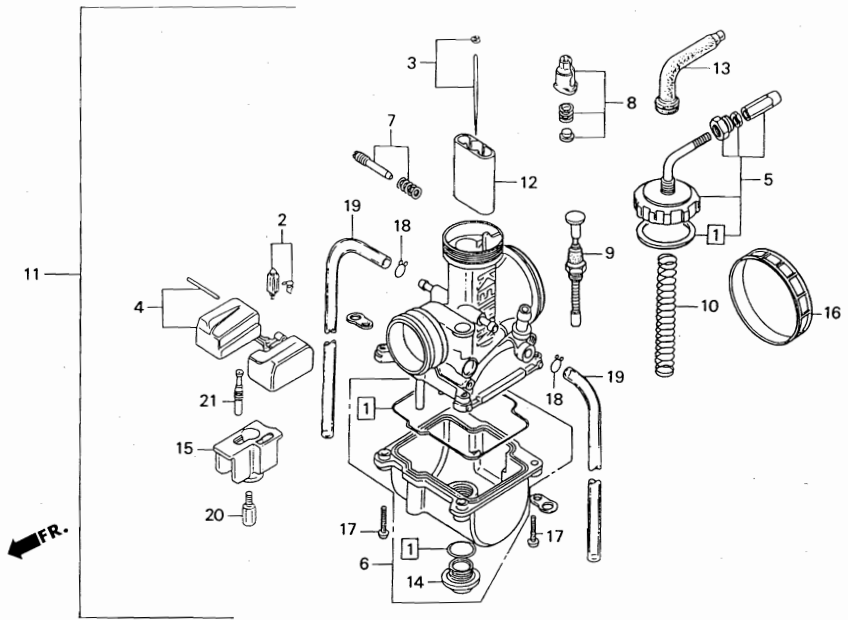


Ref. No.	Part No.	Description	Reqd. No. '93	Reqd. No. '94	Remarks	Ref. No.	Part No.	Description	Reqd. No. '93	Reqd. No. '94	Remarks
1	16010-KA5-691	GASKET SET	1	1		•	16112-NF5-710	VALVE, throttle, # 4.5	(1)	—	
2	16011-KA3-741	FLOAT VALVE SET	1	1		•	16112-NF4-900	VALVE, throttle, # 4.5	—	(1)	
• 3	16012-NF4-650	NEEDLE SET, jet (R1469JA)	1	(1)		•	16113-NF5-710	VALVE, throttle, # 5.5	(1)	—	
•	16201-NF4-650	NEEDLE SET, jet (R1465JA)	(1)	(1)		•	16113-NF4-900	VALVE, throttle, # 5.5	—	(1)	
•	16202-NF4-650	NEEDLE SET, jet (R1466JA)	(1)	(1)		13	16118-121-014	CAP, cable sealing	1	1	
•	16203-NF4-650	NEEDLE SET, jet (R1467JA)	(1)	(1)		• 14	16162-ND4-751	DRAIN BOLT	1	1	
•	16204-NF4-650	NEEDLE SET, jet (R1468JA)	(1)	1		15	16185-KA3-761	PLATE, buffer	1	1	
•	16205-NF4-650	NEEDLE SET, jet (R1470JA)	(1)	(1)		• 16	16196-ND5-761	CAP, rubber	1	1	
•	16206-NF4-650	NEEDLE SET, jet (R1471JA)	(1)	(1)		17	93892-04016-18	SCREW WASHER, 4 mm	4	4	
•	16207-NF4-650	NEEDLE SET, jet (R1472JA)	(1)	(1)		18	95002-02070	CLIP, B7, tube	2	2	
4	16013-KA3-741	FLOAT SET	1	1		19	95003-07120-31	TUBE	2	2	
• 5	16014-NF4-781	TOP SET	1	1		20	99101-357-1500	JET, main # 150	(1)	(1)	
• 6	16015-NF4-003	CHAMBER SET, float	1	1			99101-357-1520	JET, main # 152	(1)	(1)	
7	16016-HA2-004	SCREW SET, A	1	1			99101-357-1550	JET, main # 155	(1)	(1)	
• 8	16037-NF4-780	SPRING SET, throttle	1	1			99101-357-1580	JET, main # 158	(1)	(1)	
• 9	16046-NF5-751	VALVE SET, starter	1	1			99101-357-1600	JET, main # 160	(1)	(1)	
10	16050-KA5-691	SPRING, compression coil	1	1			99101-357-1620	JET, main # 162	(1)	(1)	
• 11	16100-NF4-651	CARBURETOR ASSY.	1	—			99101-357-1650	JET, main # 165	(1)	(1)	
•	16100-NF4-900	CARBURETOR ASSY.	—	1			99101-357-1680	JET, main # 168	(1)	(1)	
• 12	16111-ND5-761	VALVE, throttle, # 5.0	1	—			99101-357-1700	JET, main # 170	(1)	(1)	
•	16111-NF4-900	VALVE, throttle, # 5.0	—	1			99101-357-1720	JET, main # 172	(1)	(1)	
							99101-357-1750	JET, main # 175	(1)	(1)	

Block No.

E-10

Carburetor
'93 RS125R
'94 RS125R



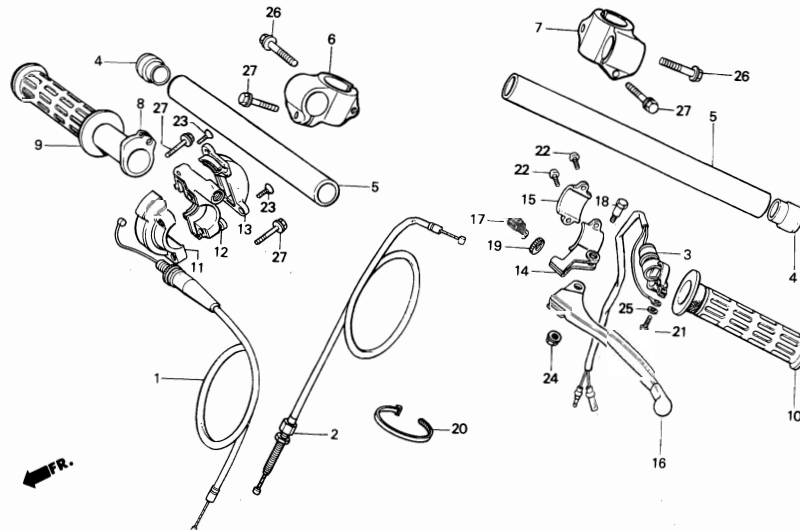
2

Ref. No.	Part No.	Description	Reqd. No.		Remarks	Ref. No.	Part No.	Description	Reqd. No.		Remarks
			'93	'94					'93	'94	
	99101-357-1780	JET, main # 178	(1)	(1)							
	99101-357-1800	JET, main # 180	1	(1)							
	99101-357-1820	JET, main # 182	(1)	1							
	99101-357-1850	JET, main # 185	(1)	(1)							
	99101-357-1880	JET, main # 188	1	(1)							
	99101-357-1900	JET, main # 190	(1)	1							
	99101-357-1920	JET, main # 192	(1)	(1)							
	99101-357-1950	JET, main # 195	(1)	(1)							
	99101-357-1980	JET, main # 198	(1)	(1)							
	99101-357-2000	JET, main # 200	(1)	(1)							
21	99103-437-0450	JET, slow # 45	(1)	(1)							
	99103-437-0480	JET, slow # 48	1	1							
	99103-437-0500	JET, slow # 50	(1)	(1)							

Block No.

F-1

Steering handle • Cable
'93 RS125R
'94 RS125R

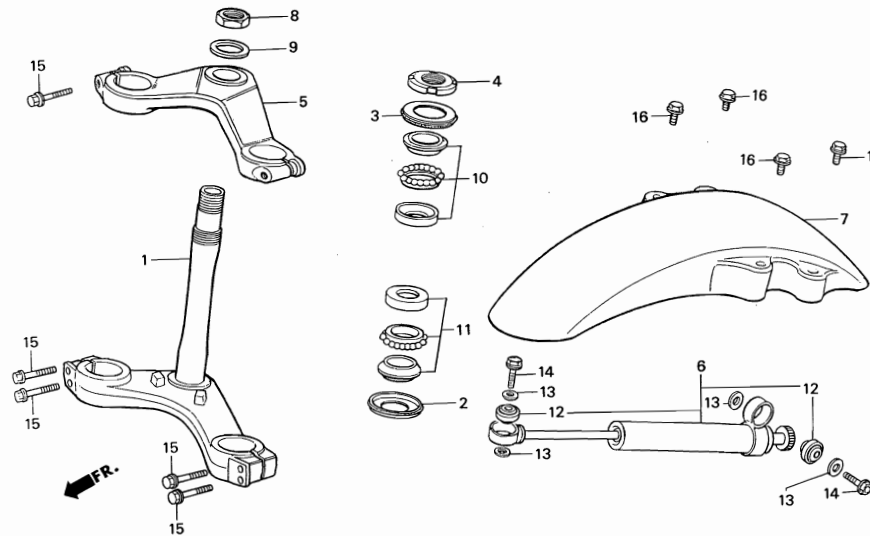


Ref. No.	Part No.	Description	Reqd. No. '93	Reqd. No. '94	Remarks	Ref. No.	Part No.	Description	Reqd. No. '93	Reqd. No. '94	Remarks
• 1	17910-NF4-780	CABLE COMP., throttle	1	1		21	93500-04012-1A	SCREW, pan, 4 x 12	1	1	
• 2	22870-NF4-000	CABLE COMP., clutch	1	1		22	93500-05016-0A	SCREW, pan, 5 x 16	2	2	
• 3	35130-NF4-000	SWITCH ASSY., engine stop	1	1		23	93700-04010-0G	SCREW, oval, 4 x 10	2	2	
• 4	53105-NF4-770	CAP, handle pipe	2	2		24	94050-06000	NUT, flange, 6 mm	1	1	
• 5	53111-NF4-770	PIPE, handle	2	2		25	94111-04000	WASHER, spring, 4 mm	1	1	
• 6	53112-NF4-770	HOLDER, R. handle	1	1		26	95801-08035-00	BOLT, flange 8 x 35	2	2	
• 7	53122-NF4-770	HOLDER, L. handle	1	1		27	96001-06022-00	BOLT, flange, SH, 6 x 22	4	4	
• 8	53141-NF4-003	PIPE, throttle grip	1	1							
9	53165-422-000	GRIP, R. handle	1	1							
10	53166-422-000	GRIP, L. handle	1	1							
11	53167-KS6-000	HOUSING, A, grip	1	1							
12	53168-KS6-000	HOUSING, B, grip	1	1							
13	53169-ML3-790	COVER, housing B	1	1							
14	53172-430-003	BRACKET., L. handle lever	1	1							
15	53173-376-000	HOLDER, lever bracket	1	1							
16	53178-399-700	LEVER, L. steering handle	1	1							
17	53192-KA3-700	BOLT, wire adjust	1	1							
18	90114-310-000	BOLT, handle lever pivot	1	1							
19	90321-KF0-000	NUT, fixing	1	1							
• 20	90651-NC8-000	TY-LAP 3.6 x 281	1	1							

Block No.

F-2

Steering stem • Steering
damper • Front fender
'93 RS125R
'94 RS125R



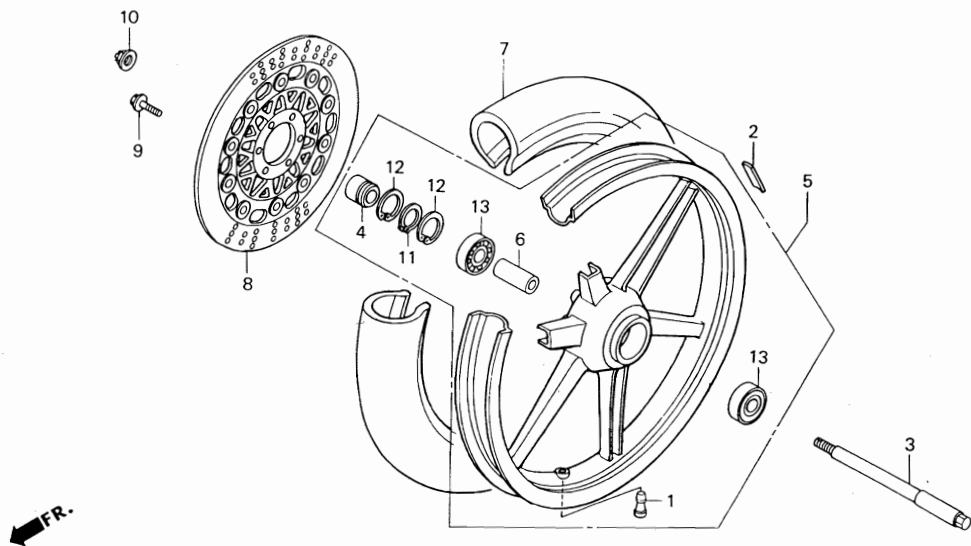
Ref. No.	Part No.	Description	Reqd. No. '93	Reqd. No. '94	Remarks	Ref. No.	Part No.	Description	Reqd. No. '93	Reqd. No. '94	Remarks
• 1	53200-NF4-770	STEM COMP., steering, 35	1	—							
•	53200-NF4-900	STEM COMP., steering, 35	—	1							
• 2	53214-371-010	DUST-SEAL, steering head	1	1							
• 3	53214-430-003	DUST-SEAL, steering head	1	1							
• 4	53229-KN5-650	THREAD, steering (head top)	1	1							
• 5	53230-NF4-770	BRIDGE, fork top, 35	1	1							
• 6	53700-NF4-771	DAMPER ASSY., steering	1	—							
•	53700-NF4-900	DAMPER ASSY., steering	—	1							
• 7	61100-NF4-610	FENDER COMP., front	1	1							
• 8	90304-KA3-710	NUT, steering stem	1	1							
• 9	90503-428-870	WASHER, steering stem	1	1							
• 10	91053-ND9-000	BEARING, head pipe up	1	1							
• 11	91054-ND6-700	BEARING, head pipe lower	1	1							
• 12	91060-NL0-003	BEARING, spherical, 8 mm	2	2							
• 13	94102-08000	WASHER, plain, 8 mm	4	4							
• 14	95301-08032-00	BOLT, hex., 8 x 32	2	2							
• 15	95801-08035-00	BOLT, flange, 8 x 35	6	6							
• 16	96001-06018-00	BOLT, flange, SH, 6 x 18	4	4							

3

Block No.

F-3

**Front wheel
'93 RS125R
'94 RS125R**



Ref. No.	Part No.	Description	Reqd. No. '93	Reqd. No. '94	Remarks	Ref. No.	Part No.	Description	Reqd. No. '93	Reqd. No. '94	Remarks
• 1	42704-NF5-710	VALVE, WHEEL	(1)	(1)							
	42753-ML7-004	VALVE, rim	1	1							
• 2	42720-NC8-000	WEIGHT, balancer, 10G	N	N							
•	42721-NC8-000	WEIGHT, balancer, 20G	N	N							
• 3	44301-NF4-770	AXLE, front wheel	1	1							
• 4	44303-NF4-000	COLLAR, front wheel side	1	1							
• 5	44600-NF4-650	WHEEL SET, front, 2.50 x 17	1	1							
•	44600-NF4-780	WHEEL SET, front, 2.15 x 17	(1)	(1)							
• 6	44620-NF4-000	COLLAR, front axle distance	1	1							
7		TIRE, front 90/575R17									
		(YOKOHAMA)	1	1	(NO SALE)						
• 8	45120-NF4-611	DISK COMP., front brake	1	—							
•	45120-NF4-901	DISK COMP., front brake	—	1							
9	90003-MC7-000	BOLT, flange, 6 x 20	6	6							
•	90113-ND5-761	BOLT, flange, 6 x 20	(6)	(6)	WITH WIRE LOCK HOLE						
10	90305-GE8-003	NUT, U, 14 mm	1	1							
•11	90651-NF4-000	CIRCLIP, external, 26	1	1							
•12	90652-NF4-000	CIRCLIP, internal, 35	2	2							
13	96140-62020-10	BEARING, ball radial, 6202U	2	2							

3

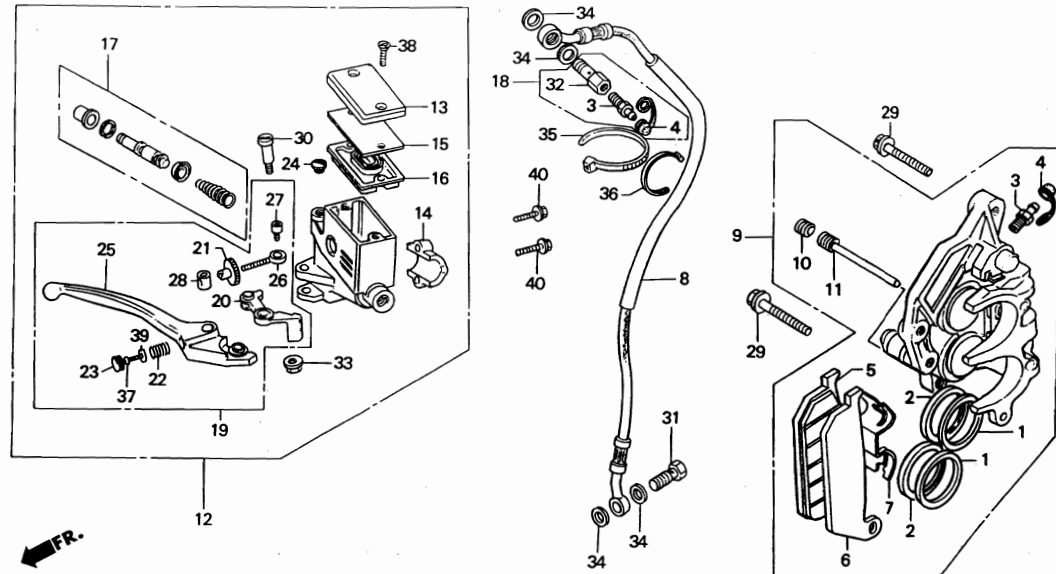
Block No.

F-4

Front caliper • Master cylinder '93 RS125R '94 RS125R

MEMO

- Brake fluid: DOT 4



Ref. No.	Part No.	Description	Reqd. No. '93	Reqd. No. '94	Remarks	Ref. No.	Part No.	Description	Reqd. No. '93	Reqd. No. '94	Remarks
1	43109-MA3-006	DUST-SEAL	2	2		16	45520-MA5-672	DIAPHRAGM	1	1	
	45109-GE2-006	DUST-SEAL	(2)	(2)	FOR 770 CALIPER	17	45530-MN9-305	CYLINDER SET, master	1	1	
2	43209-MA3-006	SEAL, piston	2	2		• 18	45530-NF4-650	BOLT ASSY., oil bleeder	1	1	
	45209-GE2-006	SEAL, piston	(2)	(2)	FOR 770 CALIPER	19	53170-MJ4-006	LEVER ASSY., R. handle	1	1	
3	43352-568-003	SCREW, bleeder	2	2		20	53171-MJ4-006	KNOCKER, master cylinder	1	1	
4	43353-461-771	CAP, bleeder	2	2		21	53172-MJ4-006	ADJUSTER, handle lever, R.	1	1	
• 5	45105-NF4-671	PAD COMP., A front	(1)	(1)	(Z22W)	22	53173-MJ4-006	SPRING, handle lever	1	1	
•	45105-NF4-770	PAD COMP., A front	1	1	(TT2501)	23	53174-MJ4-006	CAP, handle lever	1	1	
• 6	45106-NF4-671	PAD COMP., B front	(1)	(1)	(Z22W)	24	53174-463-770	PLUG, handle lever bracket	1	1	
•	45106-NF4-770	PAD COMP., B front	1	1	(TT2501)	25	53175-MJ4-006	LEVER, handle, R.	1	1	
7	45108-ML7-922	SPRING, pad	1	1		26	53176-MJ4-016	BOLT, adjust	1	1	
• 8	45125-NF4-611	HOSE, front brake	1	1		27	53177-KV0-006	BOLT, lever socket, 5 x 5	1	1	
•	45125-NF4-771	HOSE, front brake	(1)	(1)		28	53179-MJ4-016	JOINT, lever	1	1	
• 9	45200-NF4-651	CALIPER ASSY., R. front brake ...	1	1		• 29	90108-NF4-000	BOLT, flange, 8 x 28	(2)	(2)	WITH WIRE LOCK HOLE
•	45200-NF4-770	CALIPER ASSY., R. front brake ...	(1)	(1)	770 CALIPER		95801-08028-00	BOLT, flange, 8 x 28	2	2	
10	45203-MG3-016	PLUG, pin	1	1		30	90114-MA5-671	BOLT, handle lever	1	1	
11	45215-ML7-922	PIN, hanger	1	1		31	90145-MS9-611	OIL BOLT, 10 x 22	1	1	
• 12	45500-NF4-770	CYLINDER ASSY., front brake master ..	1	1		• 32	90145-NF4-650	BOLT, oil, bleeder	1	1	
13	45513-MB4-673	CAP, master cylinder	1	1		33	90201-415-000	NUT, cap, 6 mm	1	1	
14	45517-166-006	HOLDER, master cylinder	1	1							
15	45518-MB4-671	PLATE, diaphragm	1	1							

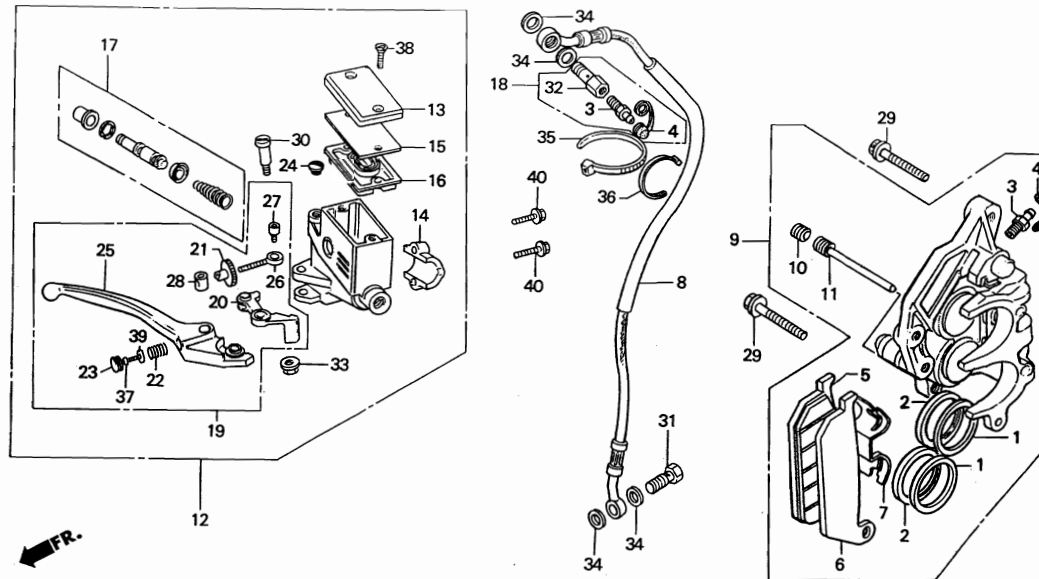
Block No.

F-4

Front caliper • Master cylinder '93 RS125R '94 RS125R

MEMO

- Brake fluid: DOT 4

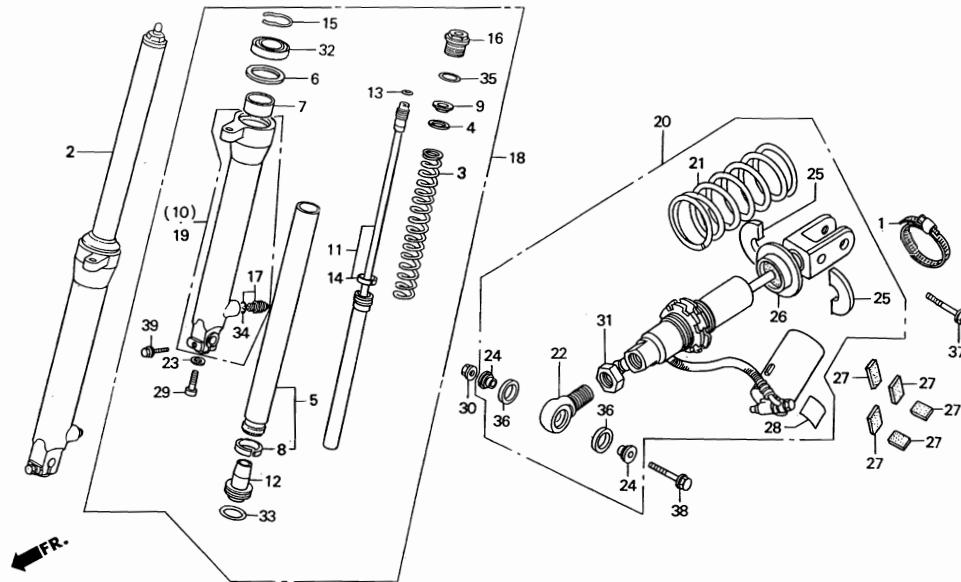


Ref. No.	Part No.	Description	Reqd. No. '93	Reqd. No. '94	Remarks	Ref. No.	Part No.	Description	Reqd. No. '93	Reqd. No. '94	Remarks
34	90601-ZE1-000	WASHER, plug drain 10 mm	4	4							
•35	90651-NC8-000	TY-LAP, 3.6 x 281	1	1							
•36	90652-ND5-000	TY-LAP, 2.4 x 92	1	1							
37	93500-03006-0A	SCREW, pan, 3 x 6	1	1							
38	93600-04012-1G	SCREW, flat, 4 x 12	2	2							
39	94101-03800	WASHER, plain, 3 mm	1	1							
40	95701-06025-00	BOLT, flange, 6 x 25	2	2							

Block No.

F-5

Front fork • Rear cushion '93 RS125R



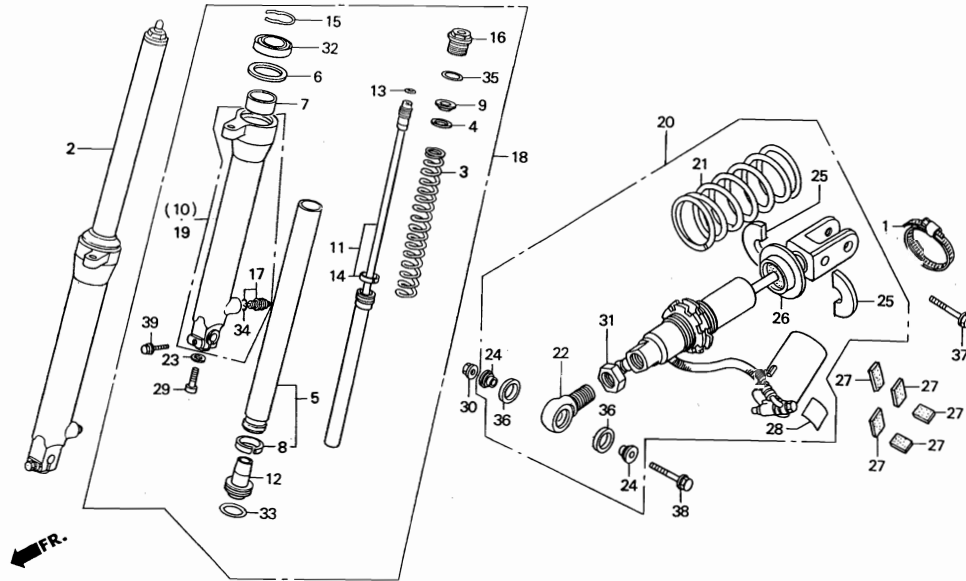
Ref. No.	Part No.	Description	Reqd. No. '93	Reqd. No. '94	Remarks	Ref. No.	Part No.	Description	Reqd. No. '93	Reqd. No. '94	Remarks
1	50252-KA4-700	BAND, sub tank	1	—		• 19	51521-NF4-651	CASE COMP. L. bottom	1	—	
• 2	51400-NF4-651	FORK ASSY., R. front	1	—		• 20	52400-NF4-651	CUSHION ASSY., rear	1	—	JAPANESE SPEC.
• 3	51401-NF4-781	SPRING, front fork (0.65)	2	—	STD	•	52400-NF4-661	CUSHION ASSY., rear	1	—	EXPORT SPEC.
•	51403-NF4-881	SPRING, H, front fork (0.70)	(2)	—	HARD	• 21	52401-NF4-781	SPRING, rear cushion (6.4)	1	—	STD
•	51404-NF4-881	SPRING, S, front fork (0.60)	(2)	—	SOFT	•	52402-NF4-881	SPRING, H, rear cushion (6.8)	(1)	—	HARD
4	51403-MA0-771	SEAT, spring	2	—		•	52403-NF4-881	SPRING, S, rear cushion (6.0)	(1)	—	SOFT
• 5	51410-NF4-651	PIPE COMP., front fork	2	—		• 22	52420-NF4-781	JOINT COMP., upper	1	—	
6	51412-422-003	RING, back up	2	—		23	52442-KA3-711	WASHER, special, 10 mm	2	—	
7	51414-469-003	BUSH, guide	2	—		24	52452-GC4-831	BUSH, damper up	2	—	
8	51415-KL4-951	BUSH, slider	2	—		• 25	52455-NF4-781	STOPPER, spring seat	2	—	
• 9	51415-NF4-781	SEAT, spring	2	—		• 26	52459-NF4-781	SEAT, spring	1	—	
• 10	51421-NF4-651	CASE COMP., R. bottom	1	—		• 27	64105-NF4-000	RUBBER, cowling	5	—	
• 11	51430-NF4-651	DAMPER COMP., front	2	—		28	87516-KS7-831	LABEL, rear damper warning	1	—	JAPANESE SPEC.
• 12	51432-NF4-651	PIECE, oil lock	2	—			87516-KZ1-600	LABEL, rear damper	1	—	EXPORT SPEC.
• 13	51435-NF4-781	O-RING, 11.8 x 2.4	2	—		29	90126-MR7-003	BOLT, socket, 10 x 35	2	—	
14	51437-461-003	RING, piston	2	—		30	90304-GA6-003	NUT, axle	1	—	
15	51447-KL4-951	RING, oil seal stopper	2	—		• 31	90306-NF5-003	NUT, lock	1	—	
• 16	51455-NF4-781	BOLT, front fork	2	—		32	91255-KBH-003	SEAL, oil, 35 x 48 x 11	2	—	
• 17	51490-NF4-651	BOLT COMP., plug	2	—		33	91304-MA6-003	O-RING, 31.5 x 2	2	—	
• 18	51500-NF4-651	FORK ASSY., L. front	1	—		34	91311-MR7-003	O-RING, 2.4 x 13.8	2	—	

3

Block No.

F-5

**Front fork • Rear cushion
'93 RS125R**

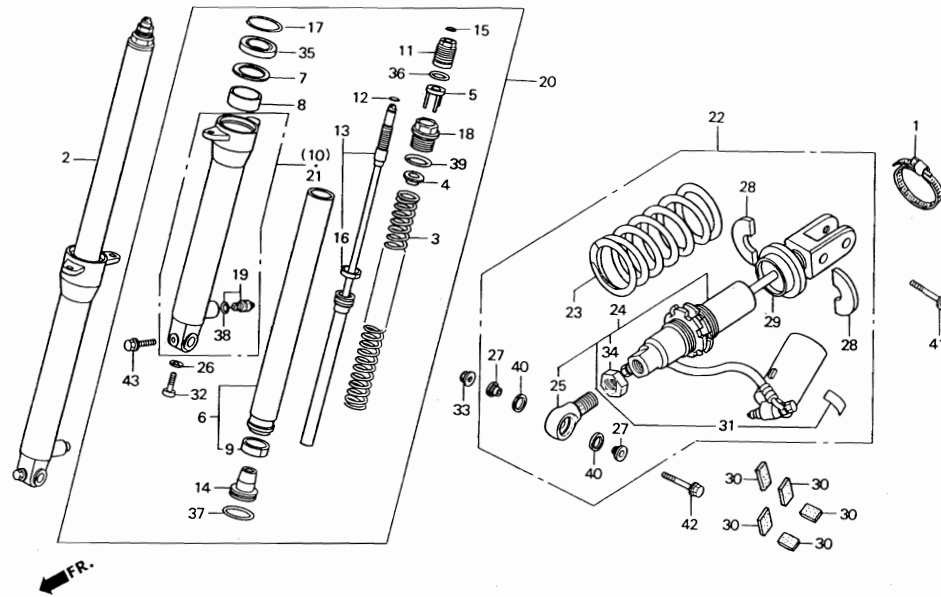


Ref. No.	Part No.	Description	Reqd. No. '93	Reqd. No. '94	Remarks	Ref. No.	Part No.	Description	Reqd. No. '93	Reqd. No. '94	Remarks
35	91317-381-771	O-RING, 27.7 x 2.4	2	—							
36	91351-KB7-003	SEAL B, dust	2	—							
37	95801-10040-00	BOLT, flange, 10 x 40	1	—							
38	95801-10050-00	BOLT, flange, 10 x 50	1	—							
39	96300-08040-00	BOLT, flange, DR, 8 x 40	2	—							

Block No.

F-5-1

Front fork • Rear cushion '94 RS125R



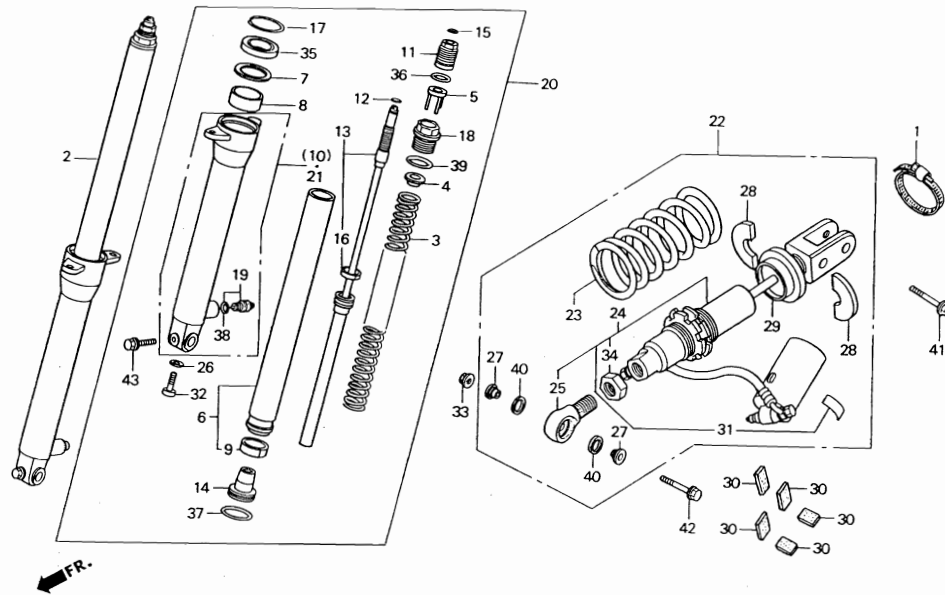
Ref. No.	Part No.	Description	Reqd. No. '93	Reqd. No. '94	Remarks	Ref. No.	Part No.	Description	Reqd. No. '93	Reqd. No. '94	Remarks
1	50252-KA4-700	BAND, sub tank	—	1		• 18	51455-NF4-901	BOLT, front fork	—	2	
• 2	51400-NF4-901	FORK ASSY., R. front	—	1		• 19	51490-NF4-651	BOLT COMP., plug	—	2	
• 3	51401-NF4-781	SPRING, front fork (0.65)	—	2	STD	• 20	51500-NF4-901	FORK ASSY., L. front	—	1	
• 4	51403-NF4-881	SPRING, H, front fork (0.70)	—	(2)	HARD	• 21	51521-NF4-651	CASE COMP. L. bottom	—	1	
• 5	51404-NF4-881	SPRING, S, front fork (0.60)	—	(2)	SOFT	• 22	52400-NF4-901	CUSHION ASSY., rear	—	1	JAPANESE SPEC.
4	51403-MB2-003	VALVE, oil lock	—	2		• 23	52400-NF4-911	CUSHION ASSY., rear	—	1	EXPORT SPEC.
• 5	51404-NF4-901	PLATE COMP., spring adjuster	—	2		• 24	52401-NF4-781	SPRING, rear cushion (6.4)	—	1	STD
• 6	51410-NF4-651	PIPE COMP., front fork	—	2		• 25	52402-NF4-881	SPRING, H, rear cushion (6.8)	—	(1)	HARD
7	51412-422-003	RING, back up	—	2		• 26	52403-NF4-881	SPRING, S, rear cushion (6.0)	—	(1)	SOFT
8	51414-469-003	BUSH, guide	—	2		• 27	52410-NF4-901	DAMPER COMP., rear	—	1	JAPANESE SPEC.
9	51415-KL4-951	BUSH, slider	—	2		• 28	52410-NF4-911	DAMPER COMP., rear	—	1	EXPORT SPEC.
• 10	51421-NF4-651	CASE COMP., R. bottom	—	1		• 29	52420-NF4-901	JOINT COMP., upper	—	1	
11	51422-NF4-901	ADJUSTER, spring	—	2		26	52442-KA3-711	WASHER, special, 10 mm	—	2	
12	51423-NF4-901	RING, stopper	—	2		27	52452-GC4-831	BUSH, damper up	—	2	
• 13	51430-NF4-901	DAMPER COMP., front	—	2		• 28	52455-NF4-781	STOPPER, spring seat	—	2	
• 14	51432-NF4-651	PIECE, oil lock	—	2		• 29	52459-NF4-781	SEAT, spring	—	1	
• 15	51435-NF4-781	O-RING, 11.8 x 2.4	—	2		• 30	64105-NF4-000	RUBBER, cowling	—	5	
16	51437-461-003	RING, piston	—	2		31	87516-KS7-831	LABEL, rear damper warning	—	1	JAPANESE SPEC.
17	51447-KL4-951	RING, oil seal stopper	—	2			87516-KZ1-600	LABEL, rear damper	—	1	EXPORT SPEC.
						32	90126-MR7-003	BOLT, socket, 10 x 35	—	2	

3

Block No.

F-5-1

Front fork • Rear cushion '94 RS125R



Ref. No.	Part No.	Description	Reqd. No.		Remarks	Ref. No.	Part No.	Description	Reqd. No.		Remarks
			'93	'94					'93	'94	
33	90304-GA6-003	NUT, axle	—	1							
•34	90306-NF5-003	NUT, lock	—	1							
35	91255-KBH-003	SEAL, oil, 35 x 48 x 11	—	2							
36	91256-GE2-003	O-RING, 19.8 x 2.4	—	2							
37	91304-MA6-003	O-RING, 31.5 x 2	—	2							
38	91311-MR7-003	O-RING, 2.4 x 13.8	—	2							
39	91317-381-771	O-RING, 27.7 x 2.4	—	2							
40	91351-KB7-003	SEAL B, dust	—	2							
41	95801-10040-00	BOLT, flange, 10 x 40	—	1							
42	95801-10050-00	BOLT, flange, 10 x 50	—	1							
43	96300-08040-00	BOLT, flange, DR, 8 x 40	—	2							

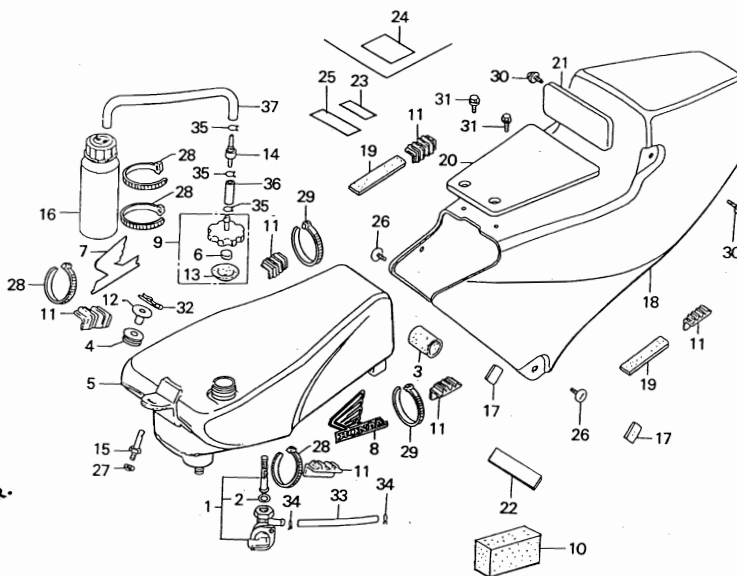
Block No.

F-6

Fuel tank • Seat
'93 RS125R
'94 RS125R

NOTE

No. 10バフレスポンジのフューエルタンク内挿入作業は、ストレーナーの折れ防止の為フューエルバルブAssy.を取外してから実施して下さい。
又、'93用タンクにはバフを3等分してご使用ください。

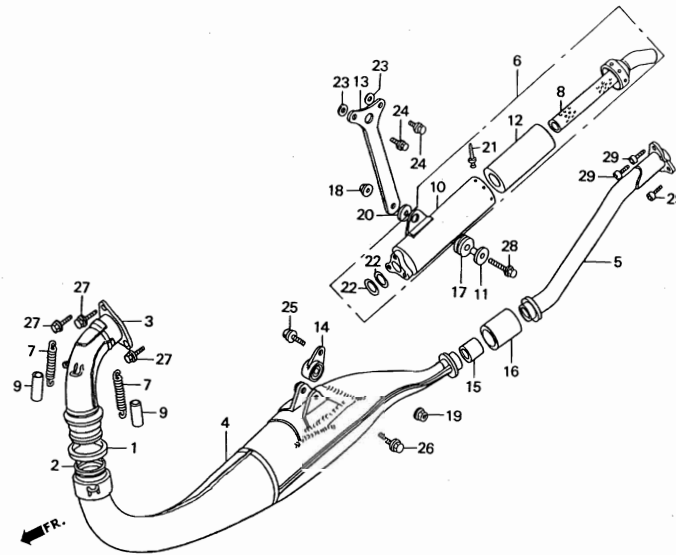


Ref. No.	Part No.	Description	Reqd. No. '93	Reqd. No. '94	Remarks	Ref. No.	Part No.	Description	Reqd. No. '93	Reqd. No. '94	Remarks
• 1	16950-ND5-750	VALVE ASSY., fuel	1	1		• 20	77220-NF4-760	RUBBER, seat	1	1	
2	16958-MA2-771	O-RING	1	1		• 21	77221-NF5-760	RUBBER, seat back	1	1	
• 3	17505-NF4-000	RUBBER, fuel tank mount	1	1		22	77238-MR7-300	TAPE	3	3	
4	17508-KN5-670	RUBBER, tank mount	1	1		• 23	87208-NC2-000	MARK, caution	1	1	EXPORT SPEC.
• 5	17510-NF4-780	TANK COMP., fuel	1	—		• 24	87208-ND4-000	MARK, caution	1	1	JAPANESE SPEC.
•	17510-NF4-900	TANK COMP., fuel	—	1		25	87560-357-671	MARK, caution	1	1	EXPORT SPEC.
• 6	17512-ND5-750	FILTER, fuel cap	1	1		• 26	90106-NF4-770	BOLT, cowl set, 6 x 13	2	2	
• 7	17516-NF4-610	WING MARK, R. side	1	1		27	90405-HA0-000	WASHER, 9 mm (t=0.8 mm)	N	N	
• 8	17517-NF4-610	WING MARK, L. side	1	1		90443-GC8-000	WASHER, thrust, 8 mm (t=1.0 mm)	N	N		
• 9	17520-NF4-750	CAP ASSY., fuel tank	1	1		• 28	90651-NC8-000	TY-LAP, 3.6 x 281	4	4	
• 10	17522-NF5-690	SPONGE, baffle	(3)	(3)		29	91058-MG9-681	BAND, self lock	2	2	
• 11	17528-NF4-000	RUBBER B, fuel tank mount	6	6		30	93404-06016-00	BOLT WASHER 6 x 16	2	2	
12	17618-371-000	COLLAR, tank set	1	1		31	93404-06020-00	BOLT WASHER 6 x 20	2	2	
13	17624-430-000	PACKING, fuel cap	1	1		32	94252-10100	PIN, lock, 10 mm	1	1	
• 14	17625-NF4-003	VALVE COMP., check	1	1		• 33	95001-75295-40	TUBE, fuel, 7.5 x 295	1	1	
• 15	17629-NF4-000	PIN, tank mount	1	1		34	95002-02120	CLIP, B12, tube	2	2	
• 16	19602-NF4-810	TANK, catch, 250	1	1		35	95002-45000	CLIP, C8, tube	3	3	
• 17	64105-NF4-000	RUBBER, cowling	2	2		• 36	95003-10003-31	V-TUBE, 5 x 8 x 30	1	1	
• 18	77101-NF4-780	SEAT COWL	1	1		• 37	95003-10058-31	V-TUBE, 5 x 8 x 580	1	1	
• 19	77105-NF4-750	RUBBER, seat rail	2	2							

Block No.

F-7

**Expansion chamber
'93 RS125R
'94 RS125R**



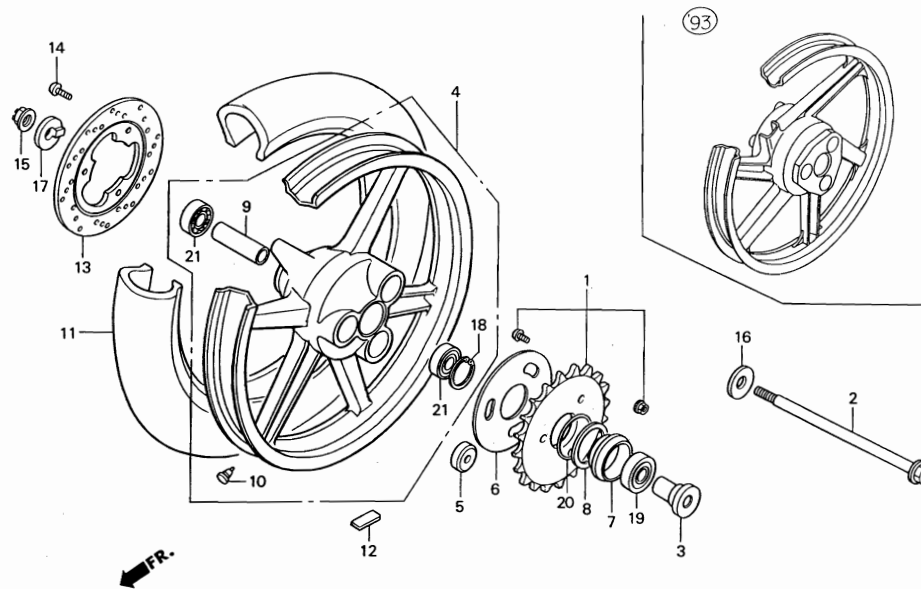
Ref. No.	Part No.	Description	Reqd. No. '93	Reqd. No. '94	Remarks	Ref. No.	Part No.	Description	Reqd. No. '93	Reqd. No. '94	Remarks
• 1	18305-NF4-780	SPACER, chamber joint	1	1		• 16	18361-NF4-770	SEAL, chamber joint	1	1	
• 2	18306-NF4-780	SEAL, exhaust joint	1	—		17	61103-430-000	RUBBER, fender mount	1	1	
• 3	18306-NF4-900	SEAL, exhaust joint	—	1		18	90301-473-003	NUT, U.6mm	1	1	
• 3	18307-NF4-610	JOINT COMP., expansion chamber ...	1	—		19	90309-428-731	NUT, flange, 8 mm	1	1	
• 3	18307-NF4-900	JOINT COMP., expansion chamber ...	—	1		20	90506-430-000	WASHER, fender mount	1	1	
• 4	18310-NF4-780	CHAMBER COMP., expansion	1	—		• 21	91081-NF4-003	RIVET, blind, 3.2	8	8	
• 4	18310-NF4-900	CHAMBER COMP., expansion	—	1		22	91301-KR3-003	O-RING, 25.5 x 2.5	2	2	
• 5	18325-NF4-780	JOINT COMP., silencer	1	1		23	94103-06800	WASHER, plan, 6 mm	2	2	
• 6	18330-NF4-771	SILENCER ASSY.	1	—		24	95701-06016-00	BOLT, flange, 6 x 16	2	2	
• 6	18330-NF4-900	SILENCER ASSY.	—	1		25	95801-08022-08	BOLT, flange, 8 x 22	1	1	
7	18332-KS6-000	SPRING, exhaust pipe	2	2		26	95801-08032-08	BOLT, flange, 8 x 32	1	1	
• 8	18332-NF5-760	INNER COMP., silencer L.	1	1		27	96001-06018-00	BOLT, flange, SH, 6 x 18	3	3	
• 9	18333-ND4-760	TUBE, spring	2	2		28	96001-06028-00	BOLT, flange, SH, 6 x 28	1	1	
• 10	18333-NF4-770	BODY, outer comp.	1	—		29	96700-06016-17	SOCKET BOLT, 6 x 16	3	3	
• 10	18333-NF4-900	BODY, outer comp.	—	1							
11	18336-KS6-700	COLLAR, silencer mount	1	1							
• 12	18336-NF5-761	GLASS WOOL	1	1							
• 13	18355-NF4-770	STAY, silencer mount	1	1							
14	18359-961-000	STAY ASSY., muffler	1	1							
• 15	18360-NF4-000	PIPE, chamber joint	1	1							

3

Block No.

F-8

Rear wheel
'93 RS125R
'94 RS125R



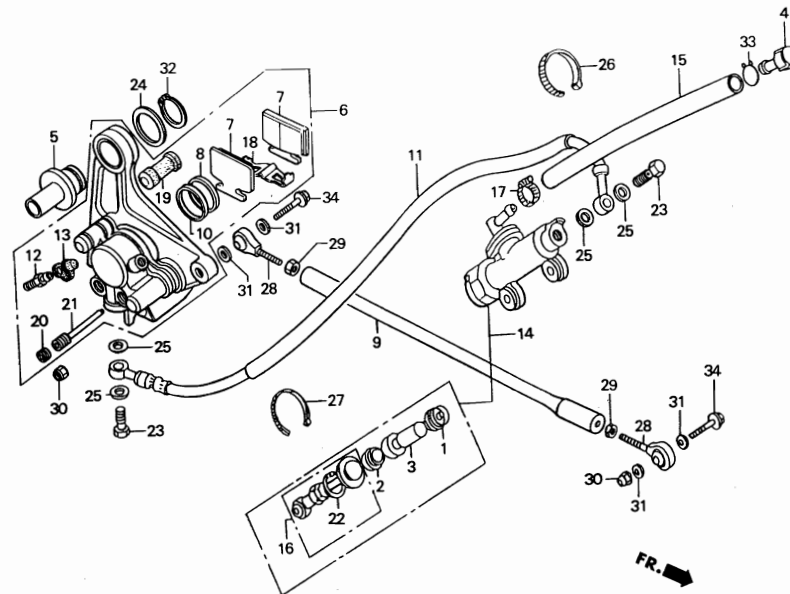
3

Ref. No.	Part No.	Description	Reqd. No. '93 '94	Remarks	Ref. No.	Part No.	Description	Reqd. No. '93 '94	Remarks
• 1	41102-NF4-760	SPROCKET ASSY., final driven 32T ..	(1) (1)		11	TIRE, rear, 105/575R17			
•	41103-NF4-760	SPROCKET ASSY., final driven 33T ..	(1) (1)			(YOKOHAMA)	1	—	(NO SALE)
•	41104-NF4-760	SPROCKET ASSY., final driven 34T ..	(1) (1)			TIRE, rear, 110/585R17			
•	41105-NF4-760	SPROCKET ASSY., final driven 35T ..	(1) (1)			(YOKOHAMA)	—	1	(NO SALE)
•	41106-NF4-760	SPROCKET ASSY., final driven 36T ..	1 1		• 12	42720-NC8-000	WEIGHT, balancer, 10G	N	N
•	41107-NF4-760	SPROCKET ASSY., final driven 37T ..	(1) (1)		•	42721-NC8-000	WEIGHT, balancer, 20G	N	N
•	41108-NF4-760	SPROCKET ASSY., final driven 38T ..	(1) (1)		• 13	43122-NF5-760	DISK, rear brake	1	1
•	41109-NF4-760	SPROCKET ASSY., final driven 39T ..	(1) (1)		14	90105-KR3-000	BOLT, front disk, 8 x 24	3	3
•	41110-NF4-760	SPROCKET ASSY., final driven 40T ..	(1) (1)		15	90305-GE8-003	NUT, U, 14 mm	1	1
• 2	42301-NF4-000	AXLE, rear wheel	1 1		• 16	90408-NF4-000	WASHER, 15 x 35	1	1
• 3	42304-NF4-770	COLLAR, rear wheel side	1 1		• 17	90409-NF4-000	WASHER, A, 15 x 35	1	1
• 4	42600-NF4-780	WHEEL SET, rear, 3.00 x 17	1 (1)		• 18	90652-NF4-000	CIRCLIP, internal, 35	1	1
•	42600-NF4-900	WHEEL SET, rear, 3.50 x 17	(1) 1		• 19	91052-NF4-000	BEARING, ball radial, 6904UU	1	1
• 5	42615-ND5-750	RUBBER, rear wheel damper	3 3		20	91357-964-006	O-RING, 31	1	1
• 6	42616-NF4-000	WASHER, sprocket	1 1		21	96140-62020-10	BEARING, ball radial, 6202U	2	2
• 7	42617-NF4-770	COLLAR, sprocket	1 1						
• 8	42618-NF4-000	WASHER, collar sprocket, 0.2	N N						
•	42619-NF4-000	WASHER, collar sprocket, 0.3	N N						
• 9	42620-NF4-770	COLLAR, rear axle distance	1 1						
• 10	42704-NF5-710	VALVE, wheel	(1) (1)						
	42753-ML7-004	VALVE, rim	1 1						

Block No.

F-9

**Rear brake •
Rear master cylinder
'93 RS125R
'94 RS125R**

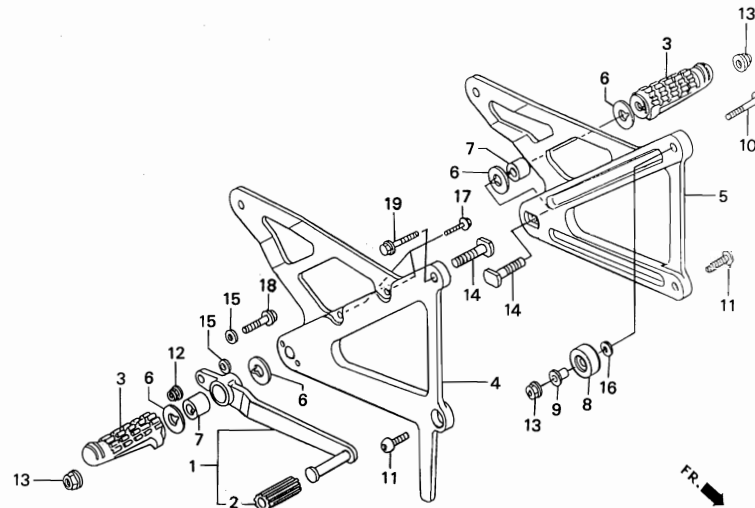


Ref. No.	Part No.	Description	Reqd. No. '93	Reqd. No. '94	Remarks	Ref. No.	Part No.	Description	Reqd. No. '93	Reqd. No. '94	Remarks
• 1	04601-ND5-760	CUP, primary	1	1		21	45215-GE2-006	HANGER PIN	2	2	
• 2	04602-ND5-760	CUP, secondary	1	1		22	46182-500-013	CIRCLIP, master cylinder	1	1	
• 3	04603-NF4-770	PISTON, rear	1	1		23	90145-MS9-611	OIL BOLT, 10 x 22	2	2	
4	17370-419-700	PLUG, breather tube	1	1		24	90475-425-000	WASHER, thrust, 30 mm	1	1	
• 5	42305-NF4-750	COLLAR, caliper bracket	1	1		25	90601-ZE1-000	WASHER, plug drain, 10 mm	4	4	
• 6	43100-NF5-611	CALIPER ASSY, rear	1	1		•26	90651-NC8-000	TY-LAP, 3.6 x 281	1	1	
• 7	43105-NF5-611	PAD COMP	2	2		•27	90652-ND5-000	TY-LAP, 2.4 x 92	1	1	
8	43109-MA3-006	DUST-SEAL	1	1		•28	91048-NC5-000	ROD END, 8 mm	2	2	
• 9	43111-NF4-750	ROD, rear brake torque	1	1		29	94002-08000-0S	NUT, hex, 8 mm	2	2	
10	43209-MA3-006	SEAL, piston	1	1		30	94050-08000	NUT, flange, 8 mm	2	2	
•11	43310-NF4-781	HOSE, rear brake	1	1		31	94102-08000	WASHER, plain, 8 mm	4	4	
12	43352-568-003	SCREW, bleeder	1	1		32	94510-30000	CIRCLIP, external, 30	1	1	
13	43353-461-771	CAP, bleeder	1	1		33	95002-02120	CLIP, B12, tube	1	1	
•14	43500-NF4-770	MASTER CYLINDER ASSY., rear .	1	1		34	95801-08035-00	BOLT, flange, 8 x 35	2	2	
•15	43503-NF4-000	V-TUBE, 9 x 13 x 240	1	1							
•16	43504-NF4-770	ROD ASSY	1	1							
•17	43541-ND5-750	CLAMP	1	1							
18	45108-GM9-741	PAD SPRING	1	1							
19	45133-MA3-006	BOOT, B	1	1							
20	45203-MG3-016	PLUT, pin	2	2							

Block No.

F-10

Step • Brake pedal
'93 RS125R
'94 RS125R



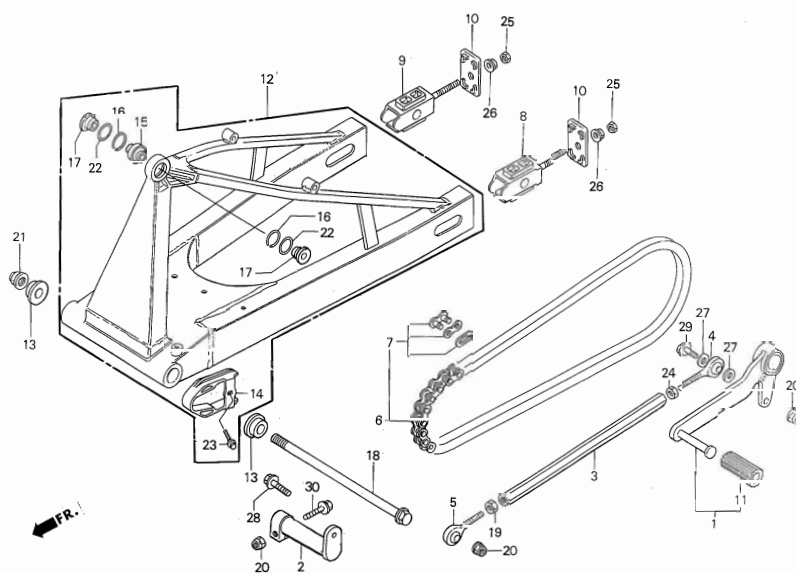
Ref. No.	Part No.	Description	Reqd. No. '93	Reqd. No. '94	Remarks	Ref. No.	Part No.	Description	Reqd. No. '93	Reqd. No. '94	Remarks
• 1	46500-NF4-780	PEDAL COMP., brake	1	1							
• 2	46501-ND4-750	RUBBER, pedal	1	1							
• 3	50611-NF4-770	ARM, step	2	2							
• 4	50630-NF4-770	HOLDER, R., step	1	1							
• 5	50640-NF4-770	HOLDER, L., step	1	1							
• 6	50642-NF4-770	WASHER, 8.2 mm	4	4							
• 7	50643-NF4-770	COLLAR, 16 x 8.2	2	2							
8	52158-HB5-003	ROLLER, chain	1	1							
9	52159-467-000	COLLAR, chain roller	1	1							
10	90113-HB3-000	BOLT, flange, DR, 8 x 62	1	1							
• 11	90178-NC8-000	SCREW, 8 x 22	2	2							
12	90301-473-003	NUT, U., 6 mm	1	1							
13	90309-428-731	NUT, flange, 8 mm	3	3							
• 14	90510-NF4-770	BOLT, M. step	2	2							
15	94101-06000	WASHER, plain, 6 mm	2	2							
16	94102-08000	WASHER, plain, 8 mm	1	1							
17	95801-06022-00	BOLT, flange, 6 x 22	2	2							
18	95801-06025-00	BOLT, flange, 6 x 25	1	1							
19	95801-08025-00	BOLT, flange, 8 x 25	1	1							

3

Block No.

F-11

Change pedal • Rear fork
'93 RS125R
'94 RS125R

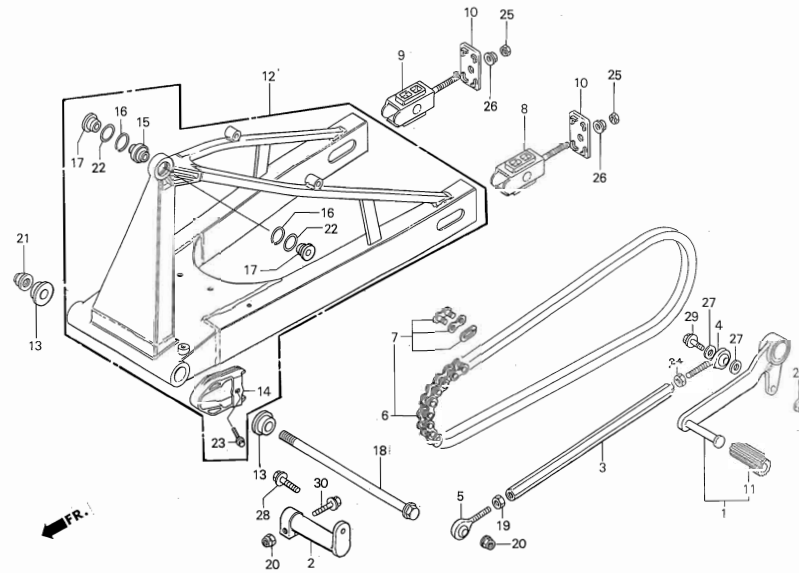


Ref. No.	Part No.	Description	Reqd. No. '93	Reqd. No. '94	Remarks	Ref. No.	Part No.	Description	Reqd. No. '93	Reqd. No. '94	Remarks
• 1	24700-NF4-780	PEDAL COMP., change	1	1		8	40543-KJ1-700	ADJUSTER, chain	1	1	
• 2	24702-NF4-770	ARM, gear change	1	1		• 9	40543-NF4-000	ADJUSTER, chain RH (18)	1	1	
• 3	24706-NF4-760	ROD, change 230	1	1		10	40544-KJ1-700	RETAINER, chain adjuster	2	2	
• 4	24711-NC8-000	ROD END, 6 mm A	1	1		• 11	46501-ND4-750	RUBBER, pedal	1	1	
• 5	24712-NC8-000	ROD END, 6 mm B	1	1		• 12	52100-NF4-780	FORK ASSY., rear	1	1	
• 6	40530-NF4-611	CHAIN, drive				• 13	52146-NF4-000	COLLAR, rear fork pivot	2	2	
		(RK 415HR x 118RJ)	1	1		• 14	52170-NF4-770	SLIDER, chain	1	1	
•	40530-NF4-632	CHAIN, drive				• 15	52422-NF5-952	BEARING, spherical	1	1	
		(DID 415ER-118RB)	(1)	(1)		• 16	52469-NC8-000	SNAP, ring, 22 mm	2	2	
•	40532-NF4-611	CHAIN, drive				• 17	52486-ND9-000	COLLAR, cushion	2	2	
		(RK 415HR x 112RJ)	(1)	(1)		• 18	90121-NF4-003	AXLE, rear fork pivot	1	1	
•	40533-NF4-611	CHAIN, drive				19	90201-KV3-700	NUT, tie-rod B	1	1	
		(RK 415HR x 114RJ)	(1)	(1)		20	90301-473-003	NUT, U, 6 mm	3	3	
•	40534-NF4-611	CHAIN, drive				21	90305-MC0-003	NUT, U, 16 mm	1	1	
		(RK 415HR x 116RJ)	(1)	(1)		22	91351-KB7-003	SEAL B, dust	2	2	
•	40535-NF4-611	CHAIN, drive				23	93404-06020-00	BOLT WASHER, 6 x 20	1	1	
		(RK 415HR x 120RJ)	(1)	(1)		24	94001-06200-0S	NUT, hex, 6 mm	1	1	
•	40535-NF4-632	CHAIN, drive (DID 415ER-120RB) .	(1)	(1)		25	94002-08000-0S	NUT, hex, 8 mm	2	2	
• 7	40531-NF4-611	JOINT SET, drive chain				26	94050-08000	NUT, flange, 8 mm	2	2	
		(RK 415HR)	1	1							
•	40531-NF4-632	JOINT SET, drive chain									
		(DID 415ER)	(1)	(1)							

Block No.

F-11

Change pedal • Rear fork
'93 RS125R
'94 RS125R



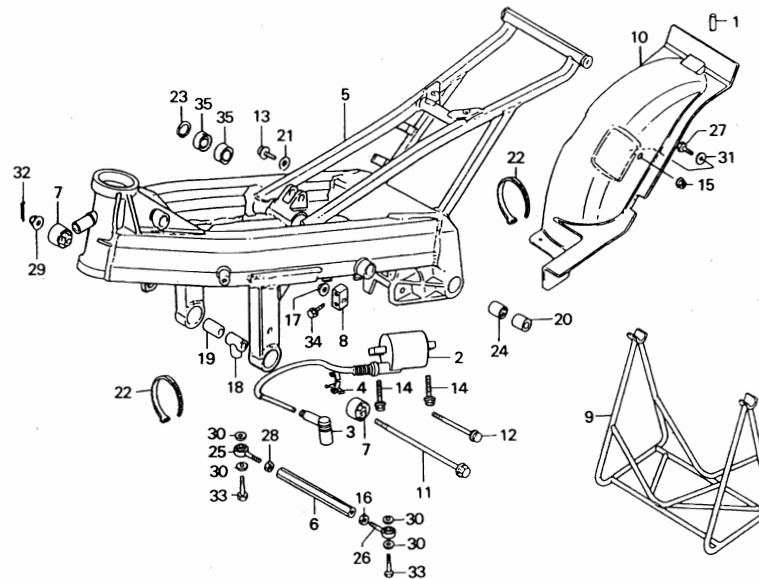
Ref. No.	Part No.	Description	Reqd. No.		Remarks	Ref. No.	Part No.	Description	Reqd. No.		Remarks
			'93	'94					'93	'94	
27	94101-06000	WASHER, plain, 6 mm	2	2							
28	95801-06022-00	BOLT, flange, 6 x 22	1	1							
29	95801-06025-00	BOLT, flange, 6 x 25	1	1							
30	96001-06028-00	BOLT, flange, SH., 6 x 28	1	1							

3

Block No.

F-12

Ignition coil • Frame body
'93 RS125R
'94 RS125R

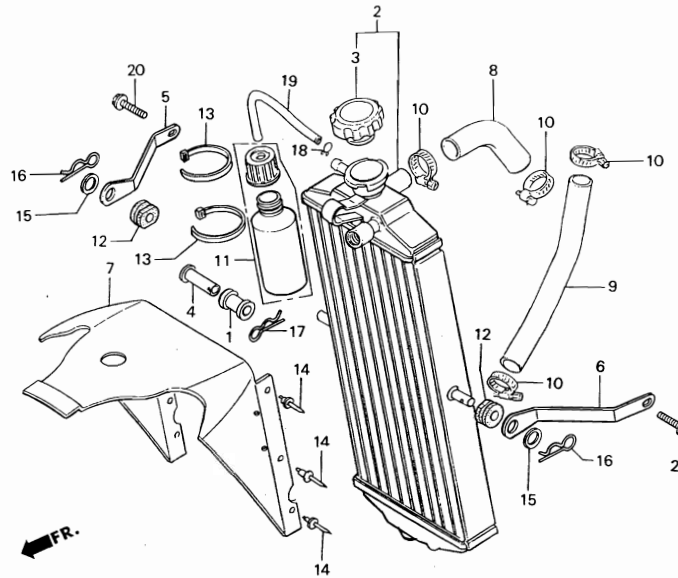


Ref. No.	Part No.	Description	Reqd. No. '93	Reqd. No. '94	Remarks	Ref. No.	Part No.	Description	Reqd. No. '93	Reqd. No. '94	Remarks
1	17521-HA7-670	RUBBER, protector	1	1		•20	90506-NF4-000	COLLAR, bearing needle	1	1	
• 2	30500-NF4-651	COIL, ignition	1	—		21	90543-273-000	PACKING, front fork drain cock ...	1	1	
• 3	30500-NF4-901	COIL, COMP., ignition	—	1		•22	90651-NC8-000	TY-LAP, 3.6 x 281	2	2	
3	30700-KM9-163	CAP ASSY., noise suppressor	1	1		•23	90652-NF4-000	CIRCLIP, internal, 35	1	1	
• 4	32114-NF4-650	CLIP, high tension cord	1	1		•24	91053-NF4-000	BEARING, needle	1	1	
• 5	50100-NF4-650	FRAME BODY COMP	1	1		•25	91055-NF4-000	ROD END A, engine torque	1	1	
• 6	50184-NF4-750	ROD, engine torque	1	1		•26	91056-NF4-000	ROD END B, engine torque	1	1	
• 7	50200-NF4-000	MOUNT A COMP., engine	2	2		27	92101-05028-0A	BOLT, hex., 5 x 28	2	2	
• 8	50258-NF4-000	ENGINE HANGER, rear	1	1		28	94002-08000-0S	NUT, hex., 8 mm	1	1	
• 9	50500-ND4-750	MAIN STAND	1	1		29	94012-10000-0S	NUT, castle, 10 mm	1	1	
•10	80100-NF4-760	FENDER, rear	1	1		30	94102-08000	WASHER, plain, 8 mm	4	4	
•11	90103-NF4-000	BOLT, flange, 10 x 247	1	1		31	94103-05800	WASHER, plain, 5 mm	2	2	
•12	90117-NF4-780	BOLT, flange, 10 x 135	1	1		32	94201-25200	PIN, split, 2.5 x 20	1	1	
•13	90134-ND5-000	BOLT, flange, 6 x 10	1	1		33	95801-08028-00	BOLT, flange, 8 x 28	2	2	
14	90197-MN5-000	BOLT, fange, 5 x 20	2	2		34	95801-08045-00	BOLT, flange, 8 x 45	2	2	
15	90301-MG8-000	NUT, flange, 5 mm	2	2		35	96150-60030-10	BEARING, ball, radial, 6003	2	2	
•16	90302-NF4-000	NUT, L, 8 mm	1	1							
17	90304-GA6-003	NUT, axle	1	1							
•18	90501-NF4-750	COLLAR, 20 x 10 x 51	1	1							
•19	90502-NF4-760	COLLAR, 20 x 10 x 34	1	1							

Block No.

F-13

Radiator
'93 RS125R
'94 RS125R



3

Ref. No.	Part No.	Description	Reqd. No. '93	Reqd. No. '94	Remarks	Ref. No.	Part No.	Description	Reqd. No. '93	Reqd. No. '94	Remarks
1	18421-MK3-000	RUBBER, radiator mount	1	1		• 19	95003-17023-10	V-TUBE, 7 x 9 x 230	1	1	
• 2	19010-NF4-651	RADIATOR ASSY.	1	—		20	95701-06016-00	BOLT, flange, 6 x 16	2	2	
• 3	19010-NF4-901	RADIATOR ASSY.	—	1							
3	19045-MY3-671	CAP COMP.	1	1							
• 4	19051-NF4-000	COLLAR, radiator	1	1							
• 5	19052-NF4-770	STAY, R. radiator	1	1							
• 6	19053-NF4-770	STAY, L. radiator	1	1							
• 7	19112-NF4-770	SHROUD, radiator	1	—							
• 8	19112-NF4-900	SHROUD, radiator	—	1							
• 8	19502-NF4-000	HOSE A, water	1	1							
• 9	19503-NF4-750	HOSE B, water	1	1							
10	19517-MB6-000	CLAMP B, water hose	4	4							
• 11	19602-NF4-810	TANK, catch, 250	1	1							
12	33712-KC5-003	GROMMET, taillight mount	2	2							
• 13	90651-NC8-000	TY-LAP, 3.6 x 281	2	2							
• 14	91080-NC8-300	RIVET, 3.2 x 6.4	4	4							
15	94102-10000	WASHER, plain, 10 mm	2	2							
16	94252-10100	PIN, lock, 10 mm	2	2							
17	94252-12000	PIN, lock, 12 mm	1	1							
18	95002-02100	CLIP, B10, tube	1	1							

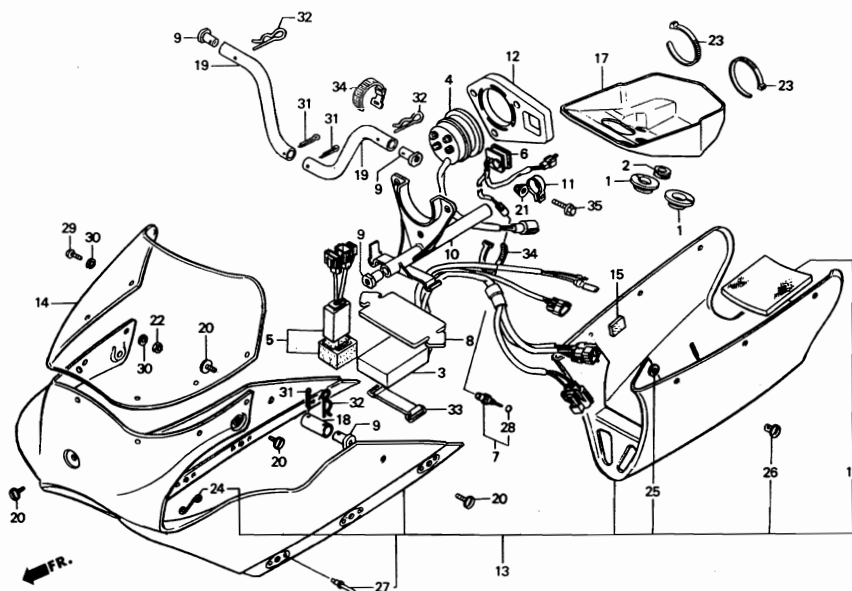
Block No.

F-14

Tachometer • Cowling

'93 RS125R

'94 RS125R



Ref. No.	Part No.	Description	Reqd. No. '93	Reqd. No. '94	Remarks	Ref. No.	Part No.	Description	Reqd. No. '93	Reqd. No. '94	Remarks
1	19114-MF9-000	RUBBER, water guide	2	2		•20	90106-NF4-770	BOLT, cowl set, 6 x 13	5	5	
2	19615-GJ5-000	RUBBER, shroud mount	1	1		21	90301-473-003	NUT, U, 6 mm	1	1	
• 3	30410-NF4-651	UNIT COMP., C.D.I.	1	—		•22	90310-NF4-000	NUT, self lock, 3 mm	7	7	
• 3	30410-NF4-901	UNIT COMP., C.D.I.	—	1		•23	90651-NC8-000	TY-LAP, 3.6 x 281	2	2	
• 4	37250-NF4-771	TACHOMETER ASSY.	1	1		•24	90653-NC8-000	SPRING, fastener, 35	6	6	
• 5	37260-NF4-610	TACHOMETER UNIT ASSY.,	1	1		•25	90654-NC8-000	GROMMET, fastener	6	6	
• 6	37460-NF4-651	METER ASSY., water temp	1	1		•26	90655-NC8-000	STUD, fastener, 35	6	6	
• 7	37870-NF4-611	SENSOR ASSY., T.W.	1	1		•27	91080-NC8-300	RIVET, 3.2 x 6.4	12	12	
8	50383-GK4-630	CUSHION, battery	1	1		28	91307-PK2-005	O-RING, 9.5 x 1.5	1	1	
• 9	50803-NF4-610	NUT, cowl stay	5	5		29	93500-03010-0A	SCREW, pan, 3 x 10	7	7	
•10	50810-NF4-780	STAY COMP., center front cowl	1	1		30	94101-03000	WASHER, plain, 3 mm	14	14	
•11	50811-NF4-770	BAND, D=25.4	1	1		31	94201-25300	PIN, split, 2.5 x 30	4	4	
•12	50815-NF4-610	PANEL, meter	1	1		32	94252-16100	PIN, lock, 16 mm	4	4	
•13	64100-NF4-610	COWLING, front	1	1		33	95012-12001	BAND, B1, battery	1	1	
•14	64101-NF4-610	SCREEN	1	1		34	95014-62200	BAND, B2, wire	2	2	
•15	64105-NF4-000	RUBBER, cowling	1	1		35	96001-06032-00	BOLT, flange, SH, 6 x 32	1	1	
•16	64109-ND5-750	SHEET, heat proof	1	1							
•17	64110-NF4-780	BOX, carburetor	1	1							
•18	64210-NF4-770	STAY, front cowl side	2	2							
•19	64240-NF4-000	STAY, front cowl up	2	2							

3

'93 • '94-RS125R PART NO. INDEX

Part No.	Block	Part No.	Block	Part No.	Block	Part No.	Block
04000		13000		16013-KA3-741	E-10	17000	
04103-NF4-305	E- 6	13100-NF4-900	E- 7	16014-NF4-781	E-10		
04601-ND5-760	F- 9	13111-NF4-780	E- 7	16015-NF4-003	E-10	17370-419-700	F- 9
04602-ND5-760	F- 9	13111-NF4-900	E- 7	16016-HA2-004	E-10	17505-NF4-000	F- 6
04603-NF4-770	F- 9	13112-ML0-720	E- 7	16037-NF4-780	E-10	17508-KN5-670	F- 6
		13121-NF4-651	E- 7	16046-NF5-751	E-10	17510-NF4-780	F- 6
		13300-NF4-650	E- 7	16050-KA5-691	E-10	17510-NF4-900	F- 6
		13300-NF4-900	E- 7	16100-NF4-651	E-10	17512-ND5-750	F- 6
11000		13331-360-000	E- 7	16100-NF4-900	E-10	17516-NF4-610	F- 6
11010-NF4-650	E- 6	13615-NF4-650	E- 5	16111-ND5-761	E-10	17517-NF4-610	F- 6
11011-NF4-650	E- 6	13617-NF4-780	E- 5	16111-NF4-900	E-10	17520-NF4-750	F- 6
11012-NF4-750	E- 6			16112-NF5-710	E-10	17521-HA7-670	F-12
11191-NF4-650	E- 6			16112-NF4-900	E-10	17522-NF5-690	F- 6
11211-GC4-701	E- 6	14000		16113-NF5-710	E-10	17528-NF4-000	F- 6
11340-NF4-780	E- 3			16113-NF4-900	E-10	17618-371-000	F- 6
11350-KS6-701	E- 2	14100-NF4-611	E- 6	16118-121-014	E-10	17624-430-000	F- 6
11352-KS6-700	E- 2	14111-NF4-780	E- 6	16162-ND4-751	E-10	17625-NF4-003	F- 6
11394-NF4-610	E- 3	14122-NF4-611	E- 6	16185-KA3-761	E-10	17629-NF4-000	F- 6
		14132-NF4-651	E- 6	16196-ND5-761	E-10	17910-NF4-780	F- 1
				16201-NF4-650	E-10		
				16202-NF4-650	E-10		
12000		15000		16203-NF4-650	E-10	18000	
12100-NF4-651	E- 1			16204-NF4-650	E-10		
12100-NF4-900	E- 1	15611-ND5-000	E- 3	16205-NF4-650	E-10	18305-NF4-780	F- 7
12191-NF4-610	E- 1	15611-NF4-900	E- 3	16206-NF4-650	E-10	18306-NF4-780	F- 7
12200-NF4-650	E- 1			16207-NF4-650	E-10	18306-NF4-900	F- 7
12200-NF4-900	E- 1			16220-NF4-780	E- 6	18307-NF4-610	F- 7
12212-ND5-003	E- 1	16000		16220-NF4-900	E- 6	18307-NF4-900	F- 7
12213-ND5-000	E- 1			16223-KA5-690	E- 6	18310-NF4-780	F- 7
		16010-KA5-691	E-10	16950-ND5-750	F- 6	18310-NF4-900	F- 7
		16011-KA3-741	E-10	16958-MA2-771	F- 6	18325-NF4-780	F- 7
		16012-NF4-650	E-10			18330-NF4-771	F- 7
						18330-NF4-900	F- 7

'93 • '94-RS125R PART NO. INDEX

Part No.	Block	Part No.	Block	Part No.	Block	Part No.	Block
		19240-NF4-900	E- 4	23210-NF4-880	E- 8	23471-NF4-850	E- 8
18331-NF4-780	E- 1	19501-NF4-000	E- 4	23221-NF4-760	E- 8	23471-NF4-860	E- 8
18332-KS6-000	F- 7	19502-NF4-000	F-13	23225-ND4-000	E- 8	23472-ND4-000	E- 8
18332-NF5-760	F- 7	19503-NF4-750	F-13	23411-NF4-780	E- 8	23481-NF4-760	E- 8
18333-ND4-760	F- 7	19517-MB6-000	E- 4	23411-NF4-860	E- 8	23481-NF4-850	E- 8
18333-NF4-770	F- 7		F-13	23411-NF4-870	E- 8	23481-NF4-860	E- 8
18333-NF4-900	F- 7	19602-NF4-810	F- 6	23411-NF4-880	E- 8	23491-NF4-780	E- 8
18336-KS6-700	F- 7		F-13	23412-NF4-750	E- 8	23491-NF4-850	E- 8
18336-NF5-761	F- 7	19615-GJ5-000	F-14	23421-NF4-780	E- 8	23501-NF4-780	E- 8
18355-NF4-770	F- 7			23421-NF4-870	E- 8	23501-NF4-850	E- 8
18359-961-000	F- 7			23421-NF4-880	E- 8	23521-KW3-000	E- 6
18360-NF4-000	F- 7	22000		23422-GB4-770	E- 8	23802-NF4-650	E- 8
18361-NF4-770	F- 7			23431-NF4-780	E- 8	23803-NF4-650	E- 8
18421-MK3-000	F-13	22100-NF4-650	E- 5	23431-NF4-870	E- 8	23804-NF4-650	E- 8
		22100-NF4-900	E- 5	23431-NF4-880	E- 8		
		22120-NF4-780	E- 5	23432-NF4-750	E- 8		
19000		22201-NF4-000	E- 5	23441-NF4-780	E- 8	24000	
		22203-NF4-761	E- 5	23441-NF4-850	E- 8		
19010-NF4-651	F-13	22321-KF0-770	E- 5	23442-NF4-850	E- 8	24211-NF4-770	E- 9
19010-NF4-901	F-13	22351-NF4-760	E- 5	23443-NF4-850	E- 8	24221-NF4-770	E- 9
19045-MY3-671	F-13	22352-KA4-000	E- 5	23444-NF4-850	E- 8	24231-NF4-770	E- 9
19051-NF4-000	F-13	22401-KA3-710	E- 5	23445-NF4-850	E- 8	24265-KA3-760	E- 9
19052-NF4-770	F-13	22810-KS6-700	E- 6	23446-NF4-850	E- 8	24266-KA3-760	E- 9
19053-NF4-770	F-13	22815-KS6-700	E- 6	23447-NF4-850	E- 8	24266-NF4-900	E- 9
19112-NF4-770	F-13	22850-KZ4-000	E- 5	23448-NF4-850	E- 8	24311-NF4-650	E- 9
19112-NF4-900	F-13	22870-NF4-000	F- 1	23451-NF4-780	E- 8	24312-KA3-741	E- 9
19114-MF9-000	F-14			23451-NF4-850	E- 8	24315-HA0-000	E- 9
19215-KA3-740	E- 4			23451-NF4-860	E- 8	24320-KS6-700	E- 9
19221-KS6-700	E- 4	23000		23456-KA3-000	E- 8	24322-HA0-000	E- 9
19222-KS6-700	E- 4			23461-NF4-780	E- 8	24324-KA3-740	E- 9
19229-KS6-880	E- 4	23210-NF4-760	E- 8	23461-NF4-870	E- 8	24326-360-010	E- 9
19229-NF4-901	E- 4	23210-NF4-850	E- 8	23461-NF4-880	E- 8	24328-KS6-700	E- 9
19240-NF4-650	E- 4	23210-NF4-860	E- 8	23471-NF4-760	E- 8	24329-KA3-740	E- 9

'93 • '94-RS125R PART NO. INDEX

Part No.	Block	Part No.	Block	Part No.	Block	Part No.	Block
24430-KA3-740	E- 9	31120-NF4-901	E- 2	40000		42305-NF4-750	F- 9
24435-NF4-760	E- 9	31901-NF4-651	E- 1			42600-NF4-780	F- 8
24610-KS6-700	E- 9	31902-NF4-671	E- 1	40530-NF4-611	F-11	42600-NF4-900	F- 8
24610-NF4-900	E- 9	31903-NF4-671	E- 1	40530-NF4-632	F-11	42615-ND5-750	F- 8
24651-KV3-000	E- 9	31910-NF4-000	E- 1	40531-NF4-611	F-11	42616-NF4-000	F- 8
24700-NF4-780	F-11			40531-NF4-632	F-11	42617-NF4-770	F- 8
24702-NF4-770	F-11			40532-NF4-611	F-11	42618-NF4-000	F- 8
24706-NF4-760	F-11	32000		40533-NF4-611	F-11	42619-NF4-000	F- 8
24711-NC8-000	F-11			40534-NF4-611	F-11	42620-NF4-770	F- 8
24712-NC8-000	F-11	32114-NF4-650	F-12	40535-NF4-611	F-11	42704-NF5-710	F- 3
		32120-NF4-900	E- 6	40535-NF4-632	F-11		F- 8
				40543-KJ1-700	F-11	42720-NC8-000	F- 3
28000				40543-NF4-000	F-11		F- 8
		33000		40544-KJ1-700	F-11	42721-NC8-000	F- 3
28237-NF4-770	E- 5						F- 8
		33712-KC5-003	F-13			42753-ML7-004	F- 3
				41000			F- 8
30000							
		35000		41102-NF4-760	F- 8		
30410-NF4-651	F-14			41103-NF4-760	F- 8	43000	
30410-NF4-901	F-14	35130-NF4-000	F- 1	41104-NF4-760	F- 8		
30500-NF4-651	F-12			41105-NF4-760	F- 8	43100-NF5-611	F- 9
30500-NF4-901	F-12			41106-NF4-760	F- 8	43105-NF5-611	F- 9
30700-KM9-163	F-12	37000		41107-NF4-760	F- 8	43109-MA3-006	F- 4
				41108-NF4-760	F- 8		F- 9
		37250-NF4-771	F-14	41109-NF4-760	F- 8	43111-NF4-750	F- 9
31000		37260-NF4-610	F-14	41110-NF4-760	F- 8	43122-NF5-760	F- 8
		37460-NF4-651	F-14			43209-MA3-006	F- 4
31100-NF4-651	E- 2	37870-NF4-611	F-14				F- 9
31100-NF4-901	E- 2			42000		43310-NF4-781	F- 9
31110-NF4-781	E- 2					43352-568-003	F- 4
31110-NF4-901	E- 2			42301-NF4-000	F- 8		F- 9
31120-NF4-651	E- 2			42304-NF4-770	F- 8	43353-461-771	F- 4

'93 • '94-RS125R PART NO. INDEX

Part No.	Block	Part No.	Block	Part No.	Block	Part No.	Block
	F- 9	45203-MG3-016	F- 4	50630-NF4-770	F-10	51421-NF4-651	F- 5
43500-NF4-770	F- 9		F- 9	50640-NF4-770	F-10		F- 5-1
43503-NF4-000	F- 9	45209-GE2-006	F- 4	50642-NF4-770	F-10	51422-NF4-901	F- 5-1
43504-NF4-770	F- 9	45215-GE2-006	F- 9	50643-NF4-770	F-10	51423-NF4-901	F- 5-1
43541-ND5-750	F- 9	45215-ML7-922	F- 4	50803-NF4-610	F-14	51430-NF4-651	F- 5
		45500-NF4-770	F- 4	50810-NF4-780	F-14	51430-NF4-901	F- 5-1
		45513-MB4-673	F- 4	50811-NF4-770	F-14	51432-NF4-651	F- 5
44000		45517-166-006	F- 4	50815-NF4-610	F-14		F- 5-1
		45518-MB4-671	F- 4			51435-NF4-781	F- 5
44301-NF4-770	F- 3	45520-MA5-672	F- 4				F- 5-1
44303-NF4-000	F- 3	45530-MN9-305	F- 4	51000		51437-461-003	F- 5
44600-NF4-650	F- 3	45530-NF4-650	F- 4				F- 5-1
44600-NF4-780	F- 3			51400-NF4-651	F- 5	51447-KL4-951	F- 5
44620-NF4-000	F- 3			51400-NF4-901	F- 5-1		F- 5-1
		46000		51401-NF4-781	F- 5	51455-NF4-781	F- 5
					F- 5-1	51455-NF4-901	F- 5-1
45000		46182-500-013	F- 9	51403-MA0-771	F- 5	51490-NF4-651	F- 5
		46500-NF4-780	F-10	51403-MB2-003	F- 5-1		F- 5-1
45105-NF4-671	F- 4	46501-ND4-750	F-10	51403-NF4-881	F- 5	51500-NF4-651	F- 5
45105-NF4-770	F- 4		F-11		F- 5-1	51500-NF4-901	F- 5-1
45106-NF4-671	F- 4			51404-NF4-881	F- 5	51521-NF4-651	F- 5
45106-NF4-770	F- 4				F- 5-1		F- 5-1
45108-GM9-741	F- 9	50000		51404-NF4-901	F- 5-1		
45108-ML7-922	F- 4			51410-NF4-651	F- 5		
45109-GE2-006	F- 4	50100-NF4-650	F-12		F- 5-1	52000	
45120-NF4-611	F- 3	50184-NF4-750	F-12	51412-422-003	F- 5		
45120-NF4-901	F- 3	50200-NF4-000	F-12		F- 5-1	52100-NF4-780	F-11
45125-NF4-611	F- 4	50252-KA4-700	F-5	51414-469-003	F- 5	52146-NF4-000	F-11
45125-NF4-771	F- 4		F- 5-1		F- 5-1	52158-HB5-003	F-10
45133-MA3-006	F- 9	50258-NF4-000	F-12	51415-KL4-951	F- 5	52159-467-000	F-10
45200-NF4-651	F- 4	50383-GK4-630	F-14		F- 5-1	52170-NF4-770	F-11
45200-NF4-770	F- 4	50500-ND4-750	F-12	51415-NF4-781	F- 5	52400-NF4-651	F- 5
		50611-NF4-770	F-10			52400-NF4-661	F- 5

'93 • '94-RS125R PART NO. INDEX

Part No.	Block	Part No.	Block	Part No.	Block	Part No.	Block
52400-NF4-901	F- 5-1	53166-422-000	F- 1	64000		87516-KS7-831	F- 5
52400-NF4-911	F- 5-1	53167-KS6-000	F- 1				F- 5-1
52401-NF4-781	F- 5	53168-KS6-000	F- 1	64100-NF4-610	F-14	87516-KZ1-600	F- 5
	F- 5-1	53169-ML3-790	F- 1	64101-NF4-610	F-14		F- 5-1
52402-NF4-881	F- 5	53170-MJ4-006	F- 4	64105-NF4-000	F- 5	87560-357-671	F- 6
	F- 5-1	53171-MJ4-006	F- 4		F- 5-1		
52403-NF4-881	F- 5	53172-MJ4-006	F- 4		F- 6		
	F- 5-1	53172-430-003	F- 1		F-14	90000	
52410-NF4-901	F- 5-1	53173-MJ4-006	F- 4	64109-ND5-750	F-14		
52410-NF4-911	F- 5-1	53173-376-000	F- 1	64110-NF4-780	F-14	90001-NF4-650	E- 6
52420-NF4-781	F- 5	53174-MJ4-006	F- 4	64210-NF4-770	F-14	90003-MC7-000	F- 3
52420-NF4-901	F- 5-1	53174-463-770	F- 4	64240-NF4-000	F-14	90013-430-000	E- 5
52422-NF5-952	F-11	53175-MJ4-006	F- 4			90015-KS6-700	E- 4
52442-KA3-711	F- 5	53176-MJ4-016	F- 4			90016-KS6-700	E- 4
	F- 5-1	53177-KV0-006	F- 4	77000		90016-ML3-680	E- 4
52452-GC4-831	F- 5	53178-399-700	F- 1			90022-MG8-000	E- 9
	F- 5-1	53179-MJ4-016	F- 4	77101-NF4-780	F- 6	90081-NC2-000	E- 6
52455-NF4-781	F- 5	53192-KA3-700	F- 1	77105-NF4-750	F- 6	90103-NF4-000	F-12
	F- 5-1	53200-NF4-770	F- 2	77220-NF4-760	F- 6	90105-KR3-000	F- 8
52459-NF4-781	F- 5	53200-NF4-900	F- 2	77221-NF5-760	F- 6	90106-NF4-770	F- 6
	F- 5-1	53214-371-010	F- 2	77238-MR7-300	F- 6		F-14
52469-NC8-000	F-11	53214-430-003	F- 2			90108-NF4-000	F- 4
52486-ND9-000	F-11	53229-KN5-650	F- 2			90113-HB3-000	F-10
		53230-NF4-770	F- 2	80000		90113-ND5-761	F- 3
		53700-NF4-771	F- 2			90114-MA5-671	F- 4
53000		53700-NF4-900	F- 2	80100-NF4-760	F-12	90114-310-000	F- 1
						90117-NF4-780	F-12
53105-NF4-770	F- 1					90121-NF4-003	F-11
53111-NF4-770	F- 1	61000		87000		90126-MR7-003	F- 5
53112-NF4-770	F- 1						F- 5-1
53122-NF4-770	F- 1	61100-NF4-610	F- 2	87208-NC2-000	F- 6	90134-ND5-000	E- 3
53141-NF4-003	F- 1	61103-430-000	F- 7	87208-ND4-000	F- 6		F-12
53165-422-000	F- 1						

'93 • '94-RS125R PART NO. INDEX

Part No.	Block	Part No.	Block	Part No.	Block	Part No.	Block
90145-MS9-611	F- 4	90435-HB3-000	E- 9		F- 9	91058-MG9-681	F- 6
	F- 9	90437-NF5-710	E- 2		F-12	91060-NL0-003	F- 2
90145-NF4-650	F- 4	90441-422-000	E- 1		F-13	91080-NC8-300	F-13
90178-NC8-000	F-10	90443-GC8-000	F- 6		F-14		F-14
90197-MN5-000	F-12	90443-107-000	E- 1	90651-NF4-000	F- 3	91081-NF4-003	F- 7
90201-KV3-700	F-11	90446-357-000	E- 8	90652-ND5-000	F- 4	91201-KS6-004	E- 6
90201-415-000	F- 4	90447-KE1-000	E- 4		F- 9	91201-NF4-781	E- 6
90235-KA4-000	E- 5	90451-155-000	E- 9	90652-NF4-000	F- 3	91201-965-000	E- 4
90301-MG8-000	F-12	90452-115-000	E- 8		F- 8	91202-KA3-712	E- 6
90301-473-003	F- 7	90452-178-000	E- 8		F-12	91203-KK3-830	E- 6
	F-10	90456-KA4-000	E- 5	90653-NC8-000	F-14	91205-166-004	E- 6
	F-11	90456-NF4-780	E- 5	90654-NC8-000	F-14	91211-KA3-761	E- 4
	F-14	90461-444-000	E- 8	90655-NC8-000	F-14	91255-KBH-003	F- 5
90302-NF4-000	F-12	90464-444-000	E- 8				F- 5-1
90304-GA6-003	F- 5	90475-425-000	F- 9			91256-GE2-003	F- 5-1
	F- 5-1	90501-KA3-741	E- 8	91000		91301-KR3-003	F- 7
	F-12	90501-NF4-750	F-12			91301-KS6-003	E- 6
90304-KA3-710	F- 2	90502-NF4-760	F-12	91001-KA3-711	E- 6	91304-MA6-003	F- 5
90305-GE8-003	F- 3	90503-428-870	F- 2	91002-KA4-003	E- 6		F- 5-1
	F- 8	90506-430-000	F- 7	91004-GF9-003	E- 6	91304-MJ0-003	E- 3
90305-MC0-003	F-11	90506-NF4-000	F-12	91004-430-003	E- 6	91307-PK2-005	F-14
90306-NF5-003	F- 5	90510-NF4-770	F-10	91007-KA3-740	E- 4	91311-MR7-003	F- 5
	F- 5-1	90543-273-000	E- 1	91008-NF5-761	E- 7		F- 5-1
90309-428-731	F- 7		E- 3	91011-KS6-003	E- 5	91317-381-771	F- 5
	F-10		E- 4	91012-KA3-710	E- 6		F- 5-1
90310-NF4-000	F-14		F-12	91022-KA4-740	E- 6	91351-KA3-711	E- 8
90321-KF0-000	F- 1	90601-ZE1-000	F- 4	91048-NC5-000	F- 9	91351-KB7-003	F- 5
90401-NF4-780	E- 5		F- 9	91052-NF4-000	F- 8		F- 5-1
90401-430-000	E- 6	90601-360-000	E- 8	91053-ND9-000	F- 2		F-11
90405-HA0-000	F- 6	90602-360-000	E- 8	91053-NF4-000	F-12	91357-964-006	F- 8
90408-NF4-000	F- 8	90651-NC8-000	F- 1	91054-ND6-700	F- 2		
90409-NF4-000	F- 8		F- 4	91055-NF4-000	F-12		
90432-428-000	E- 5		F- 6	91056-NF4-000	F-12		

'93 • '94-RS125R PART NO. INDEX

Part No.	Block	Part No.	Block	Part No.	Block	Part No.	Block
92000			F-12	95000		95801-10050-00	F- 5
		94012-10000-0S	F-12				F- 5-1
92101-05028-0A	F-12	94050-06000	F- 1	95001-75295-40	F- 6		
92900-08032-0E	E- 1	94050-08000	E- 1	95002-02070	E-10		
92900-08040-3E	E- 6		F- 9	95002-02100	F-13	96000	
			F-11	95002-02120	F- 6		
		94101-03000	F-14		F- 9	96001-06010-07	E- 1
		94101-03800	F- 4	95002-45000	F- 6		E- 4
93000		94101-06000	F-10	95003-07120-31	E-10	96001-06014-00	E- 6
			F-11	95003-10003-31	F- 6	96001-06018-00	F- 2
93300-06016-0A	E- 9		F- 2	95003-10058-31	F- 6		F- 7
93404-06016-00	F- 6	94102-08000	F- 9	95003-17023-10	F-13	96001-06022-00	F- 1
93404-06020-00	F- 6		F-10	95012-12001	E-14	96001-06028-00	F- 7
			F-12	95014-62200	F-14		F-11
93404-06020-08	E- 5		F-13	95301-08032-00	F- 2	96001-06032-00	F-14
93500-03006-0A	F- 4	94102-10000	F-12	95701-06016-00	F- 7	96001-06032-07	E- 3
93500-03008-0H	E- 6	94103-05800	F- 7		F-13	96001-06040-07	E- 3
93500-03010-0A	F-14	94103-06800	E- 6	95701-06025-00	F- 4	96001-06045-07	E- 6
93500-04012-1A	F- 1	94109-12000	E- 6	95801-06022-00	F-10	96001-06050-07	E- 6
93500-05016-0A	F- 1	94111-03800	F- 1		F-11	96001-06075-07	E- 6
93500-05028-0A	E- 6	94111-04000	F-12	95801-06025-00	F-10	96001-06085-07	E- 6
93600-04012-1G	F- 4	94201-25200	F-14		F-11	96100-60030-00	E- 6
93600-06012-0A	E- 6	94201-25300	F- 6	95801-08022-08	F- 7	96140-60030-00	E- 6
93700-04010-0G	F- 1	94252-10100	F-13	95801-08025-00	F-10	96140-62020-10	F- 3
93891-06025-07	E- 2		F-13	95801-08028-00	F- 4		F- 8
93892-04016-18	E-10	94252-12000	F-14		F-12	96150-60030-10	F-12
		94252-16100	E- 1	95801-08032-08	F- 7	96211-09000	E- 5
		94301-06100	E- 3	95801-08035-00	F- 1	96220-40080	E- 4
94000		94301-08140	E- 6		F- 2		E- 9
			E- 6		F- 9	96300-06018-00	E- 2
94001-06200-0S	F-11	94301-10160	E- 9	95801-08045-00	F-12	96300-06022-00	E- 6
94001-12200-0S	E- 2	94510-14000	F- 9	95801-10040-00	F- 5	96300-08020-07	E- 8
94002-08000-0S	F- 9	94510-30000	F- 9		F- 5-1	96300-08040-00	F- 5
	F-11						

'93 • '94-RS125R PART NO. INDEX

Part No.	Block	Part No.	Block	Part No.	Block	Part No.	Block
96700-06016-17	F- 5-1 F- 7						
99000							
99101-357-1500	E-10						
99101-357-1520	E-10						
99101-357-1550	E-10						
99101-357-1580	E-10						
99101-357-1600	E-10						
99101-357-1620	E-10						
99101-357-1650	E-10						
99101-357-1680	E-10						
99101-357-1700	E-10						
99101-357-1720	E-10						
99101-357-1750	E-10						
99101-357-1780	E-10						
99101-357-1800	E-10						
99101-357-1820	E-10						
99101-357-1850	E-10						
99101-357-1880	E-10						
99101-357-1900	E-10						
99101-357-1920	E-10						
99101-357-1950	E-10						
99101-357-1980	E-10						
99101-357-2000	E-10						
99103-437-0450	E-10						
99103-437-0480	E-10						
99103-437-0500	E-10						

