



MORIWAKI MD250H PARTS LIST

Effective February 18, 2008

Important

This machine is designed and manufactured for competition use only and is sold “as-is” with no warranty. It does not conform to federal motor vehicle safety standards, and operation on public streets, road, or highways is illegal.

State laws prohibit operation of this vehicle except in an organized racing or competitive event upon a closed course which is conducted under the auspices of a recognized sanctioning body or permit issued by the local governmental authority having jurisdiction.

First determine that operation is legal.

Operator only, no passengers.

Read this manual carefully.

This manual should be considered a permanent part of the motorcycle and should remain with the motorcycle when resold.

Ordering Procedures:

The following notation indicates which type of part and where to order them.

[M] MORIWAKI parts

These parts must be ordered through an approved Honda dealer, from Moriwaki.

Fax: +81 (0) 59-370-0152

Email: overseas-dealer@moriwaki.co.jp

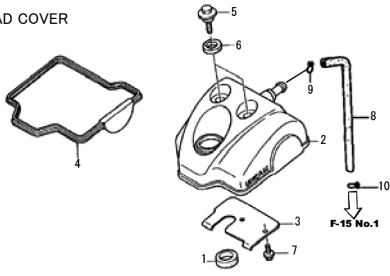
[▪] HRC parts

Use normal Honda parts ordering procedures for these parts.

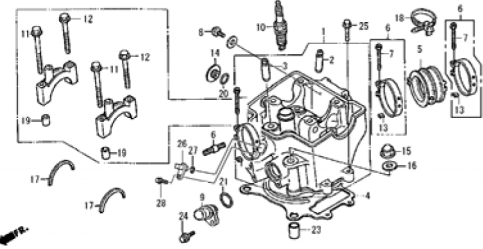
[] Honda Genuine Parts

Use normal Honda parts ordering procedures for these parts.

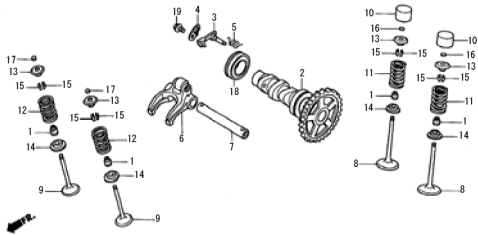
BLOCK No.
E-1
CYLINDER HEAD COVER



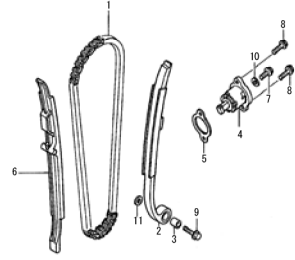
BLOCK No.
E-2
CYLINDER HEAD



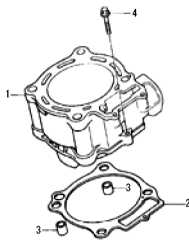
BLOCK No.
E-3
CAMSHAFT/VALVE



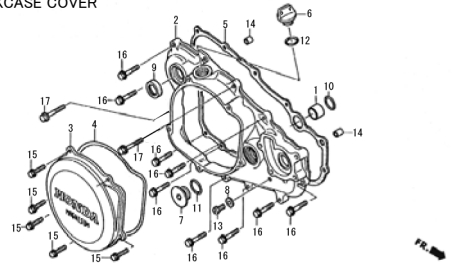
BLOCK No.
E-4
CAM CHAIN/TENSIONER



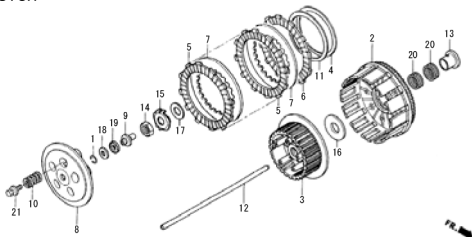
BLOCK No.
E-5
CYLINDER



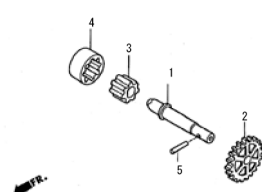
BLOCK No.
E-6
R-CRANKCASE COVER



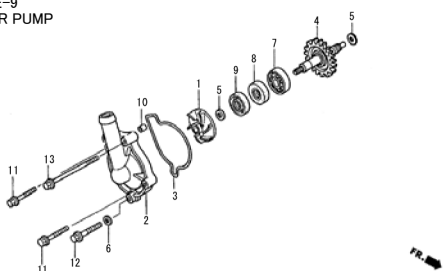
BLOCK No.
E-7
CLUTCH



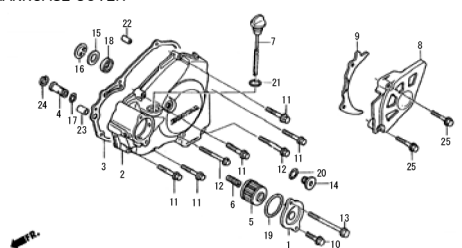
BLOCK No.
E-8
OIL PUMP



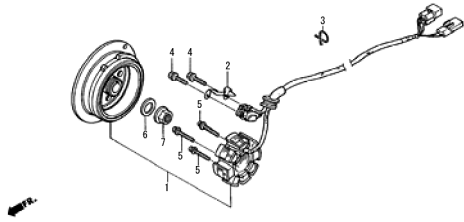
BLOCK No.
E-9
WATER PUMP



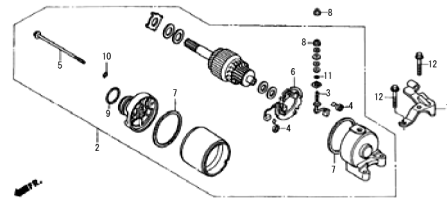
BLOCK No.
E-10
L. CRANKCASE COVER



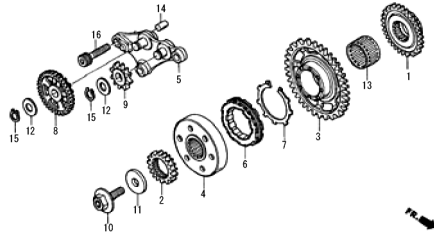
BLOCK No.
E-11
GENERATOR



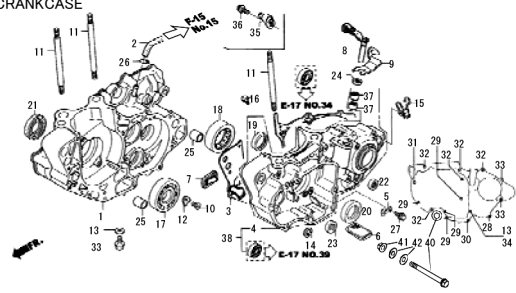
BLOCK No.
E-12
STARTING MOTOR



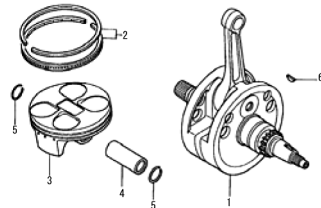
BLOCK No.
E-13
STARTING CLUTCH



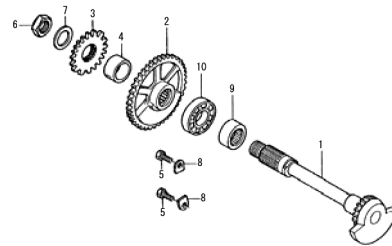
BLOCK No.
E-14
CRANKCASE



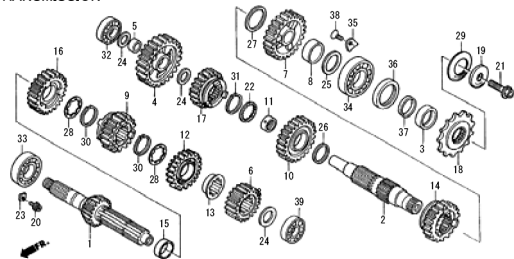
BLOCK No.
E-15
CRANKSHAFT/PISTON



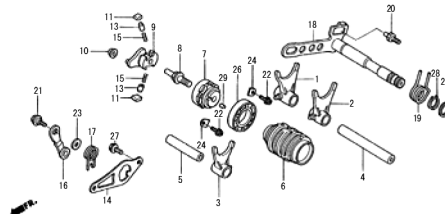
BLOCK No.
E-16
BALANCER



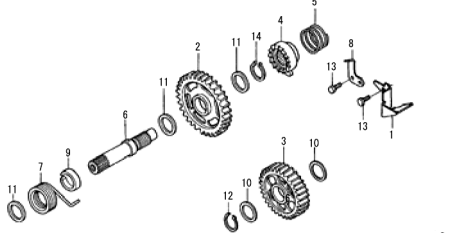
BLOCK No.
E-17
TRANSMISSION



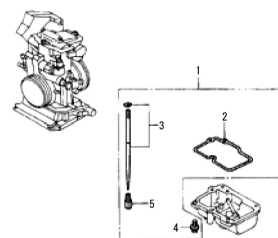
BLOCK No.
E-18
GEARSHIFT DRUM



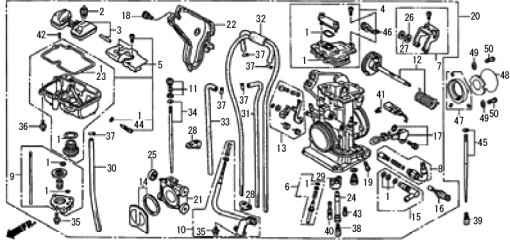
BLOCK No.
E-19
KICK STARTER SPINDLE



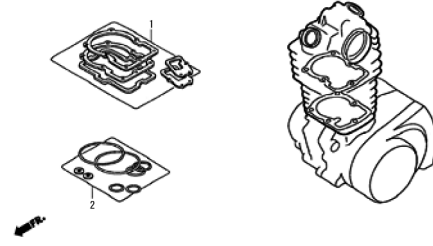
BLOCK No.
E-20
CARBURETOR, O. P. KIT



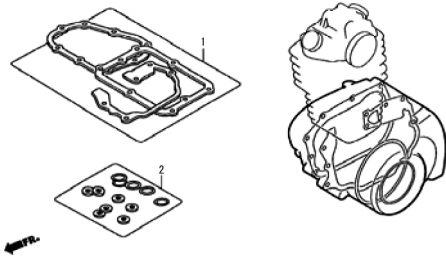
BLOCK No.
E-20
CARBURETOR



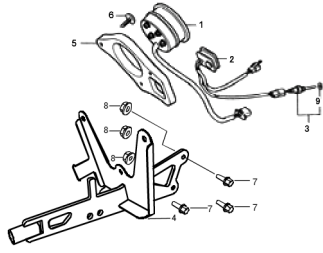
BLOCK No.
EOP-1
GASKET KIT A



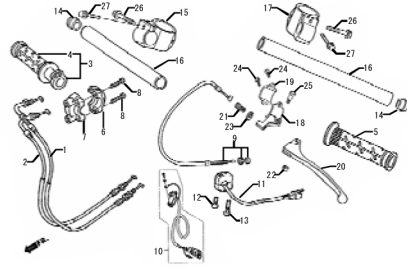
BLOCK No.
EOP-2
GASKET KIT B



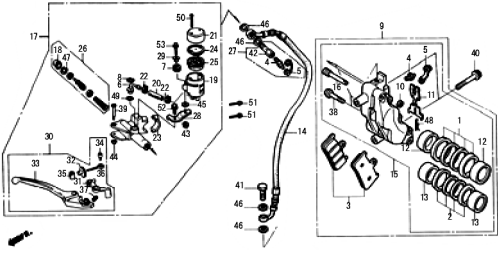
BLOCK No.
F-1
METER,
PANEL



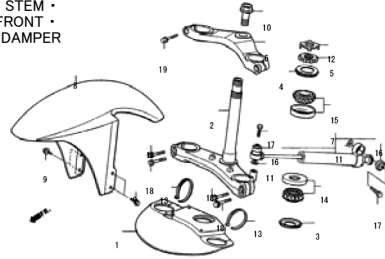
BLOCK No.
F-2
CABLE • SWICH •
HANDLE PIPE • THROTTLE



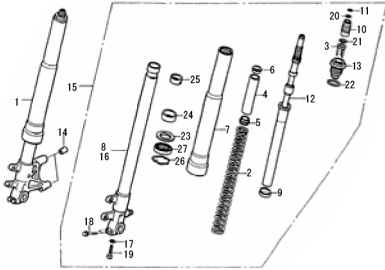
BLOCK No.
F-3
FRONT BRAKE CALIPER
FRONT BRAKE MASTER CYLINDER



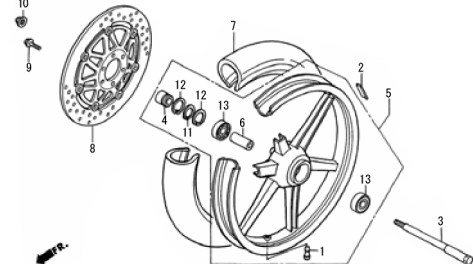
BLOCK No.
F-4
STEERING STEM •
FENDER, FRONT •
STEERING DAMPER



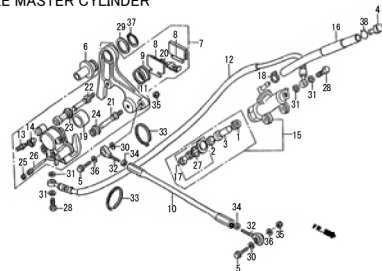
BLOCK No.
F-5
FRONT FORK



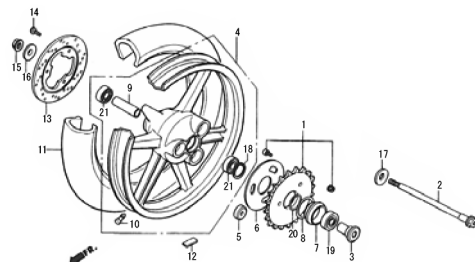
BLOCK No.
E-6
FRONT WHEEL



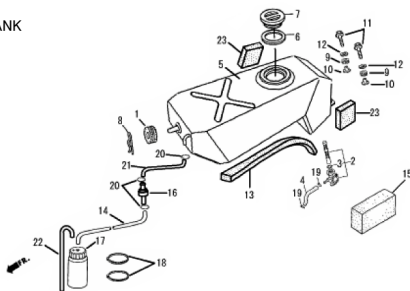
BLOCK No.
F-7
REAR CALIPER •
REAR BRAKE MASTER CYLINDER



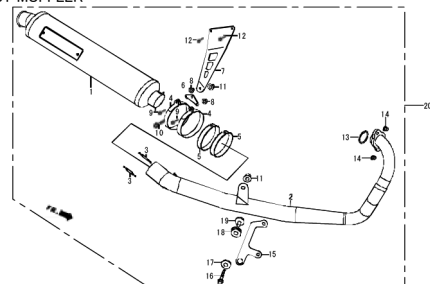
BLOCK No.
F-8
REAR WHEEL

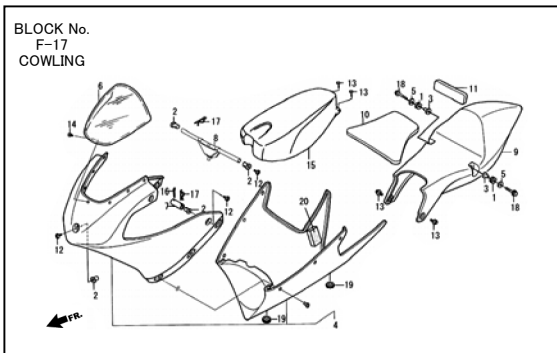
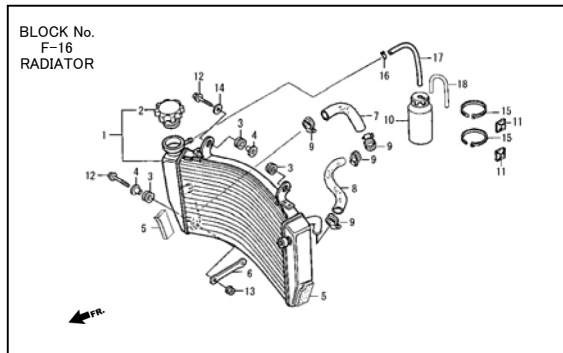
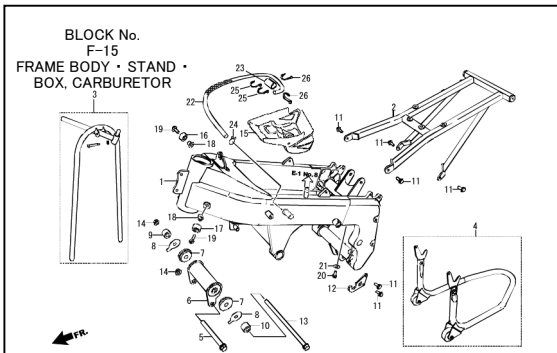
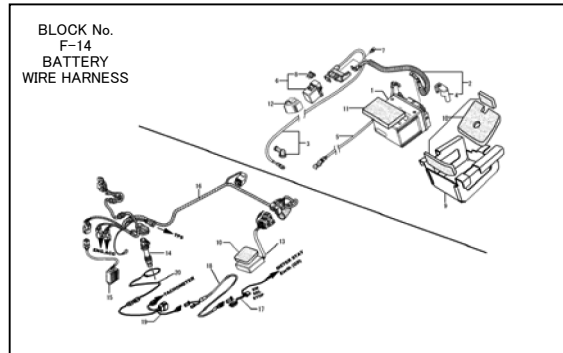
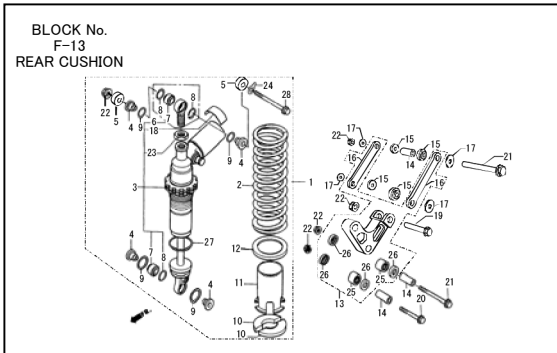
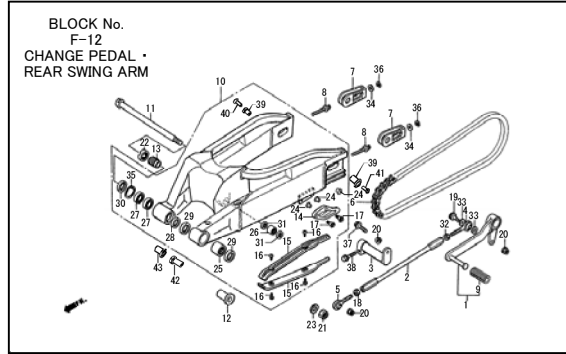
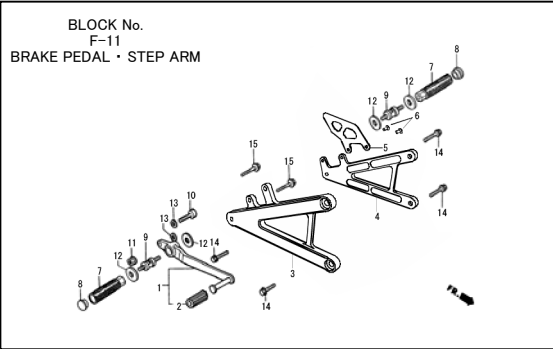


BLOCK No.
F-9
FUEL TANK

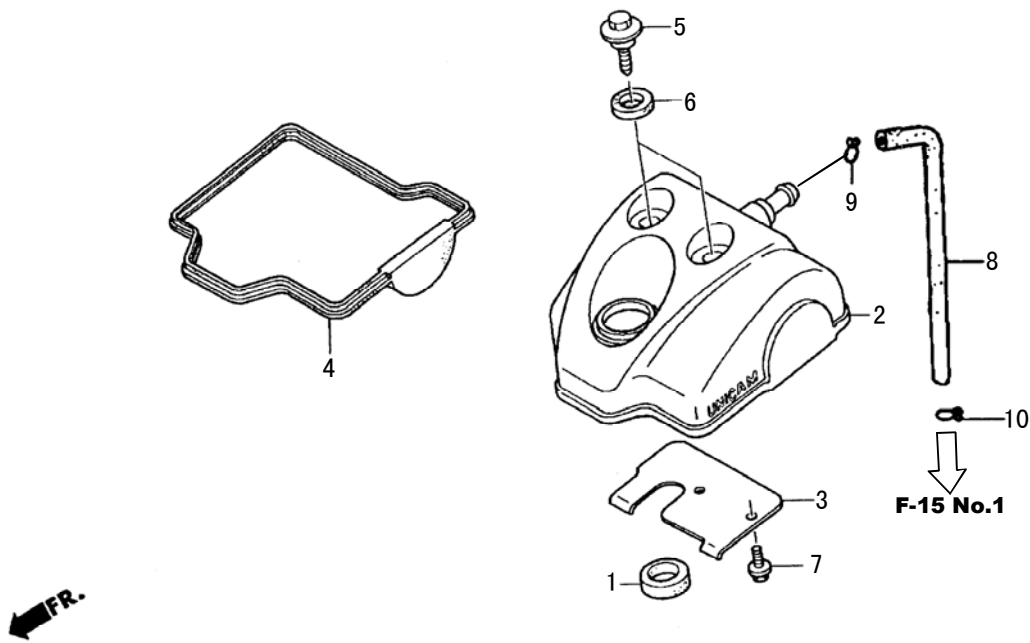


BLOCK No.
F-10
EXHAUST MUFFLER



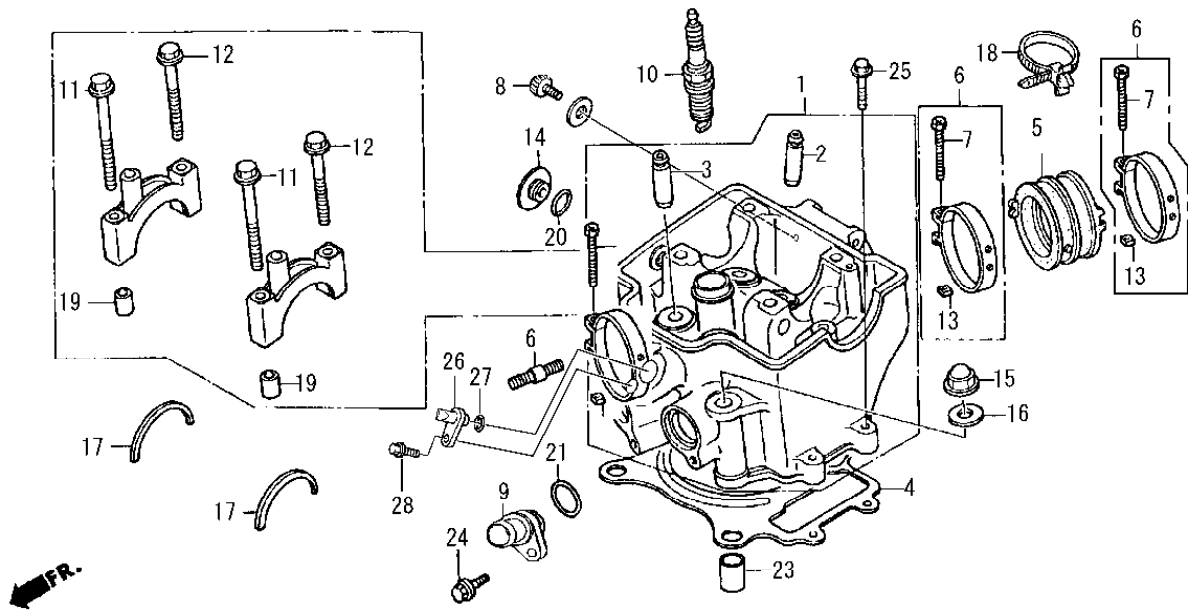


BLOCK No.
E-1
CYLINDER HEAD COVER



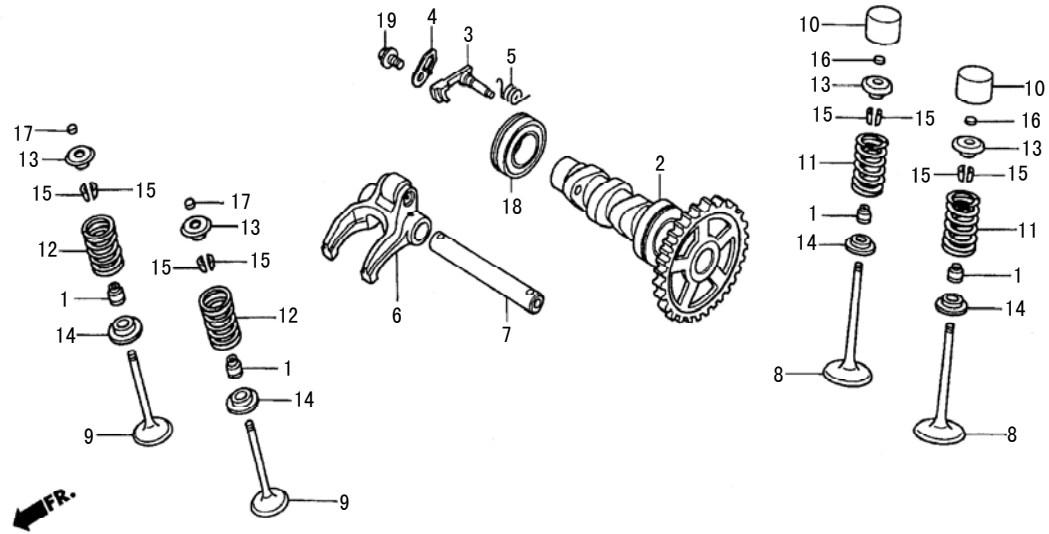
Ref. No.	Part No.	Description	Reqd. QTY	Retail Price
1	12226-MEB-670	SEAL, RING	1	
2	12310-KRN-670	COVER COMP., CYLINDER HEAD	1	
3	12316-KRN-670	PLATE, BREATHER	1	
4	12391-KRN-670	GASKET, HEAD COVER	1	
5	90017-MY9-790	BOLT, HEAD COVER	2	
6	90543-MV9-670	RUBBER, MOUNTING	2	
7	96300-06012-00	BOLT, FLANGE, 6x12	2	
8	17372-KRN-000	TUBE A, BREATHER	1	
9	15771-551-000	CLIP, OIL DRAIN TUBE	1	
10	95002-02120	CLIP, TUBE (B12)	1	

BLOCK No.
E-2
CYLINDER HEAD



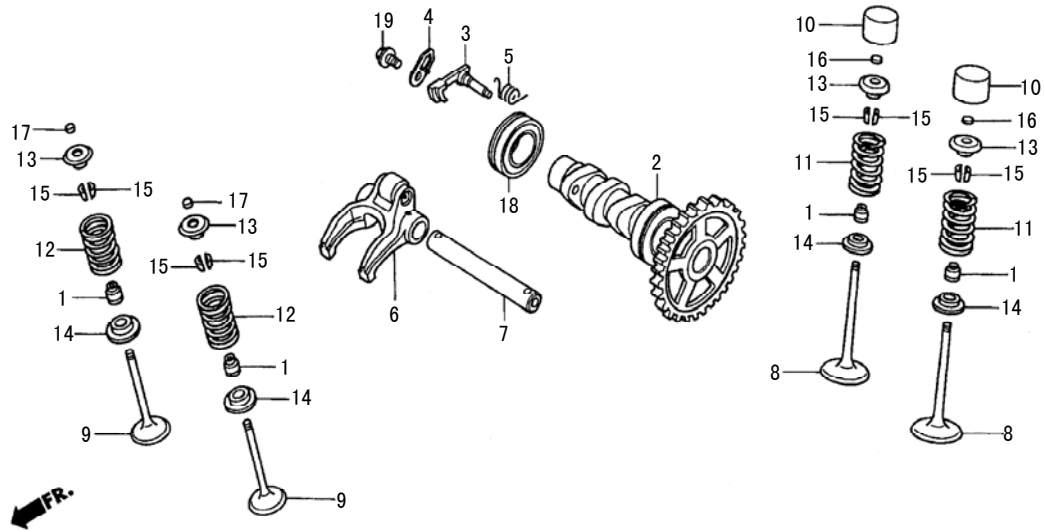
Ref. No.	Part No.	Description	Reqd. QTY	Retail Price
	1	12010-KSC-D10 HEAD ASSY., CYLINDER	1	
	2	12204-KRN-P00 GUIDE, IN. VALVE (OS)	2	
	3	12205-KRN-P00 GUIDE, EX. VALVE (OS)	2	
	4	12251-KRN-731 GASKET, CYLINDER HEAD	1	
M	5	16211-10512-85 INSULATOR, CABURETOR	1	
	6	16218-MCJ-000 BAND B, INSULATOR	2	
	7	16222-MV4-300 NUT, SQUARE, 5MM	2	
M	8	970000-05006 BOLT, CAP 5x6	1	
M	9	19523-10512-00 PIPE, WATER	1	
	10	31910-NL3-871 SPARK PLUG (R0409B-10)	1	
	11	90001-KRN-670 BOLT, FLANGE, 7x60	2	
	12	90002-KRN-670 BOLT, FLANGE, 7x50	2	
	13	90005-MCJ-000 BOLT, RECESSED, 5x28	2	
	14	90084-MEN-670 CAP, 14MM	1	
	15	90232-MB6-680 NUT, CAP, 9MM	4	
	16	90407-KRN-670 WASHER ,PLAIN, 9MM	4	
	17	90446-KRN-670 WASHER, CAMSHAFT THRUST	2	
	18	90672-SA0-003 STRAP, CABLE, 118MM(BLACK)	1	
	19	90701-MR7-000 DOWEL PIN, 9x14	2	
	20	91303-377-000 O-RING, 13.8x2.5	1	
	21	91312-KE7-003 O-RING, 19x3 (NOK)	1	
	22	92900-08022-0B BOLT, STUD, 8x22	2	
	23	94301-12200 DOWEL PIN, 12x20	2	
	24	96001-06020-00 BOLT, FLANGE, 6x20	1	
	25	96001-06028-00 BOLT, FLANGE, 6x28	2	
M	26	18640-10512-770 CAP, PLUG	1	
	27	91305-PE2-003 O-RING, 9.8X1.9	1	
	28	96001-06016-00 BOLT, FLANGE, 6X16	1	

BLOCK No.
E-3
CAMSHAFT/VALVE



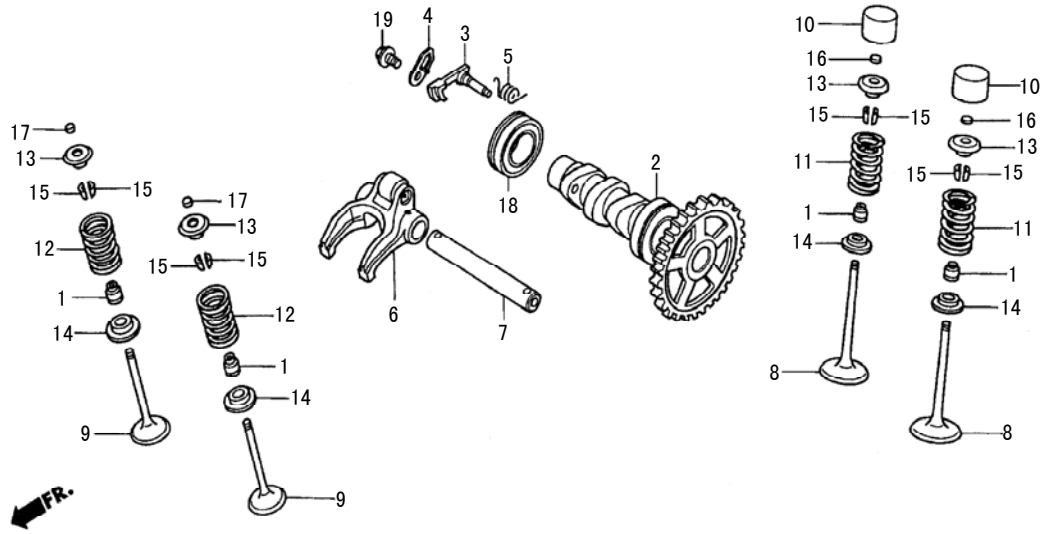
Ref. No.	Part No.	Description	Reqd. QTY	Retail Price
1	12209-GB4-681	SEAL, VALVE STEM (NOK)	4	
2	14100-KSC-670	CAMSHAFT COMP.	1	
3	14102-KRN-670	WEIGHT, DECOMPRESSION	1	
4	14105-KRN-670	PLATE, WEIGHT SETTING	1	
5	14106-KRN-A00	SPRING, DECOMPRESSION	1	
6	14440-KRN-670	ARM COMP., EX.ROCKER	1	
7	14451-KSC-671	SHAFT, EX.ROCKER ARM	1	
8	14711-KRN-670	VALVE, IN.	2	
9	14721-KRN-670	VALVE, EX.	2	
10	14731-KRN-A00	LIFTER, VALVE	2	
11	14751-KRN-670	SPRING, IN.VALVE	2	
12	14761-KRN-671	SPRING, EX.VALVE	2	
13	14771-KRN-A10	RETAINER, VALVE SPRING	4	
14	14775-KRN-670	SEAT, VALVE SPRING	4	
15	14781-MAT-000	COTTER, VALVE	8	
16	14901-KT7-013	SHIM, TAPPET (1.200)	2	
	14902-KT7-013	SHIM, TAPPET (1.225)	2	
	14903-KT7-013	SHIM, TAPPET (1.250)	2	
	14904-KT7-013	SHIM, TAPPET (1.275)	2	
	14905-KT7-013	SHIM, TAPPET (1.300)	2	
	14906-KT7-013	SHIM, TAPPET (1.325)	2	
	14907-KT7-013	SHIM, TAPPET (1.350)	2	
	14908-KT7-013	SHIM, TAPPET (1.375)	2	
	14909-KT7-013	SHIM, TAPPET (1.400)	2	
	14910-KT7-013	SHIM, TAPPET (1.425)	2	
	14911-KT7-013	SHIM, TAPPET (1.450)	2	
	14912-KT7-013	SHIM, TAPPET (1.475)	2	
	14913-KT7-013	SHIM, TAPPET (1.500)	2	
	14914-KT7-013	SHIM, TAPPET (1.525)	2	

BLOCK No.
E-3
CAMSHAFT/VALVE



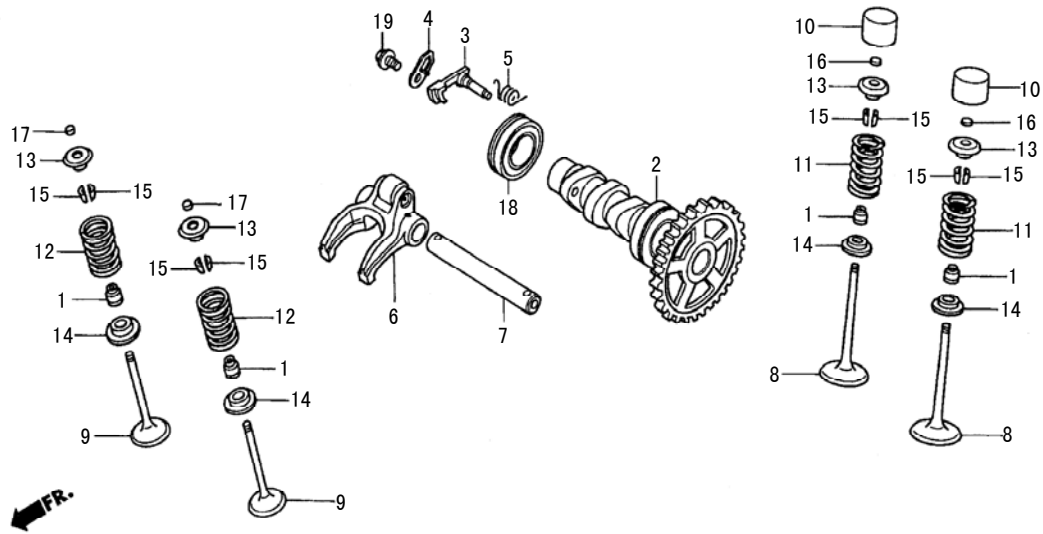
Ref. No.	Part No.	Description	Reqd. QTY	Retail Price
(16)	14915-KT7-013	SHIM, TAPPET (1.550)	2	
	14916-KT7-013	SHIM, TAPPET (1.575)	2	
	14917-KT7-013	SHIM, TAPPET (1.600)	2	
	14918-KT7-013	SHIM, TAPPET (1.625)	2	
	14919-KT7-013	SHIM, TAPPET (1.650)	2	
	14920-KT7-013	SHIM, TAPPET (1.675)	2	
	14921-KT7-013	SHIM, TAPPET (1.700)	2	
	14922-KT7-013	SHIM, TAPPET (1.725)	2	
	14923-KT7-013	SHIM, TAPPET (1.750)	2	
	14924-KT7-013	SHIM, TAPPET (1.775)	2	
	14925-KT7-013	SHIM, TAPPET (1.800)	2	
	14926-KT7-013	SHIM, TAPPET (1.825)	2	
	14927-KT7-013	SHIM, TAPPET (1.850)	2	
	14928-KT7-013	SHIM, TAPPET (1.875)	2	
	14929-KT7-013	SHIM, TAPPET (1.900)	2	
	14930-KT7-013	SHIM, TAPPET (1.925)	2	
	14931-KT7-013	SHIM, TAPPET (1.950)	2	
	14932-KT7-013	SHIM, TAPPET (1.975)	2	
	14933-KT7-013	SHIM, TAPPET (2.000)	2	
	14934-KT7-013	SHIM, TAPPET (2.025)	2	
	14935-KT7-013	SHIM, TAPPET (2.050)	2	
	14936-KT7-013	SHIM, TAPPET (2.075)	2	
	14937-KT7-013	SHIM, TAPPET (2.100)	2	
	14938-KT7-013	SHIM, TAPPET (2.125)	2	
	14939-KT7-013	SHIM, TAPPET (2.150)	2	
	14940-KT7-013	SHIM, TAPPET (2.175)	2	
	14941-KT7-013	SHIM, TAPPET (2.200)	2	
	14942-KT7-013	SHIM, TAPPET (2.225)	2	
	14943-KT7-013	SHIM, TAPPET (2.250)	2	

BLOCK No.
E-3
CAMSHAFT/VALVE



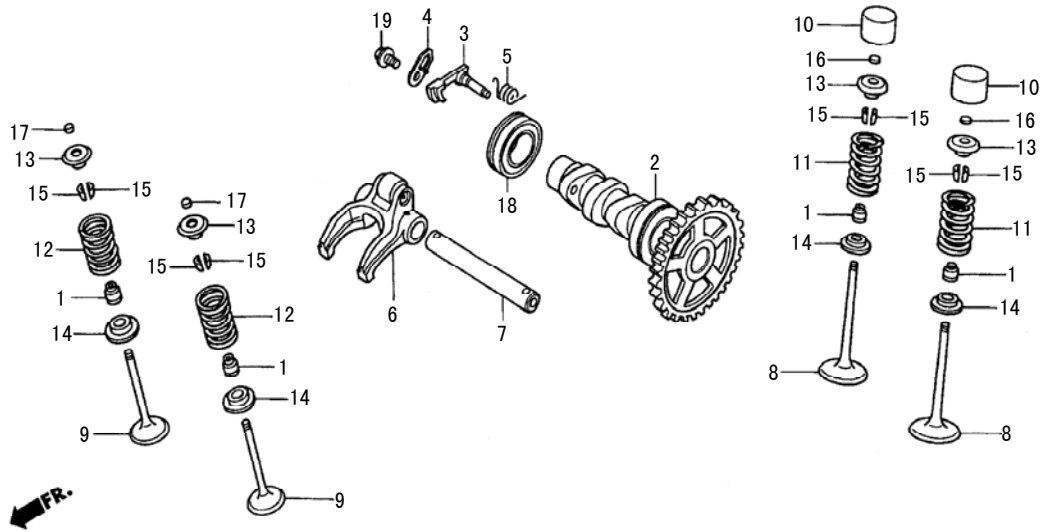
Ref. No.	Part No.	Description	Reqd. QTY	Retail Price
(16)	14944-KT7-013	SHIM, TAPPET (2.275)	2	
	14945-KT7-013	SHIM, TAPPET (2.300)	2	
	14946-KT7-013	SHIM, TAPPET (2.325)	2	
	14947-KT7-013	SHIM, TAPPET (2.350)	2	
	14948-KT7-013	SHIM, TAPPET (2.375)	2	
	14949-KT7-013	SHIM, TAPPET (2.400)	2	
	14950-KT7-013	SHIM, TAPPET (2.425)	2	
	14951-KT7-013	SHIM, TAPPET (2.450)	2	
	14946-KT7-013	SHIM, TAPPET (2.325)	2	
	14947-KT7-013	SHIM, TAPPET (2.350)	2	
	14948-KT7-013	SHIM, TAPPET (2.375)	2	
	14949-KT7-013	SHIM, TAPPET (2.400)	2	
	14950-KT7-013	SHIM, TAPPET (2.425)	2	
	14951-KT7-013	SHIM, TAPPET (2.450)	2	
17	14901-KT7-013	SHIM, TAPPET (1.200)	2	
	14902-KT7-013	SHIM, TAPPET (1.225)	2	
	14903-KT7-013	SHIM, TAPPET (1.250)	2	
	14904-KT7-013	SHIM, TAPPET (1.275)	2	
	14905-KT7-013	SHIM, TAPPET (1.300)	2	
	14906-KT7-013	SHIM, TAPPET (1.325)	2	
	14907-KT7-013	SHIM, TAPPET (1.350)	2	
	14908-KT7-013	SHIM, TAPPET (1.375)	2	
	14909-KT7-013	SHIM, TAPPET (1.400)	2	
	14910-KT7-013	SHIM, TAPPET (1.425)	2	
	14911-KT7-013	SHIM, TAPPET (1.450)	2	
	14912-KT7-013	SHIM, TAPPET (1.475)	2	
	14913-KT7-013	SHIM, TAPPET (1.500)	2	
	14914-KT7-013	SHIM, TAPPET (1.525)	2	
	14915-KT7-013	SHIM, TAPPET (1.550)	2	

BLOCK No.
E-3
CAMSHAFT/VALVE



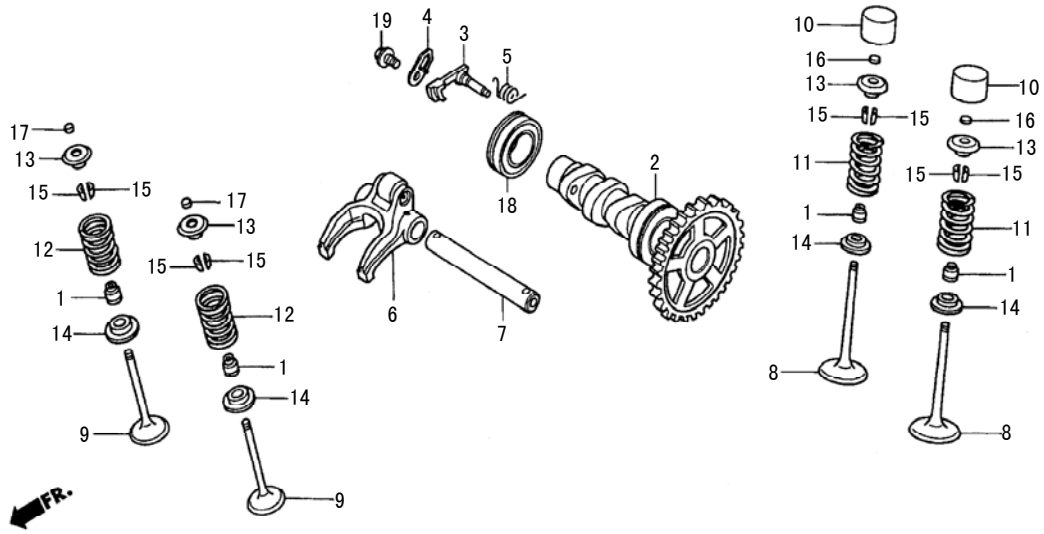
Ref. No.	Part No.	Description	Reqd. QTY	Retail Price
(17)	14916-KT7-013	SHIM, TAPPET (1.575)	2	
	14917-KT7-013	SHIM, TAPPET (1.600)	2	
	14918-KT7-013	SHIM, TAPPET (1.625)	2	
	14919-KT7-013	SHIM, TAPPET (1.650)	2	
	14920-KT7-013	SHIM, TAPPET (1.675)	2	
	14921-KT7-013	SHIM, TAPPET (1.700)	2	
	14922-KT7-013	SHIM, TAPPET (1.725)	2	
	14923-KT7-013	SHIM, TAPPET (1.750)	2	
	14924-KT7-013	SHIM, TAPPET (1.775)	2	
	14925-KT7-013	SHIM, TAPPET (1.800)	2	
	14926-KT7-013	SHIM, TAPPET (1.825)	2	
	14927-KT7-013	SHIM, TAPPET (1.850)	2	
	14928-KT7-013	SHIM, TAPPET (1.875)	2	
	14929-KT7-013	SHIM, TAPPET (1.900)	2	
	14930-KT7-013	SHIM, TAPPET (1.925)	2	
	14931-KT7-013	SHIM, TAPPET (1.950)	2	
	14932-KT7-013	SHIM, TAPPET (1.975)	2	
	14933-KT7-013	SHIM, TAPPET (2.000)	2	
	14934-KT7-013	SHIM, TAPPET (2.025)	2	
	14935-KT7-013	SHIM, TAPPET (2.050)	2	
	14936-KT7-013	SHIM, TAPPET (2.075)	2	
	14937-KT7-013	SHIM, TAPPET (2.100)	2	
	14938-KT7-013	SHIM, TAPPET (2.125)	2	
	14939-KT7-013	SHIM, TAPPET (2.150)	2	
	14940-KT7-013	SHIM, TAPPET (2.175)	2	
	14941-KT7-013	SHIM, TAPPET (2.200)	2	
	14942-KT7-013	SHIM, TAPPET (2.225)	2	
	14943-KT7-013	SHIM, TAPPET (2.250)	2	
	14944-KT7-013	SHIM, TAPPET (2.275)	2	

BLOCK No.
E-3
CAMSHAFT/VALVE



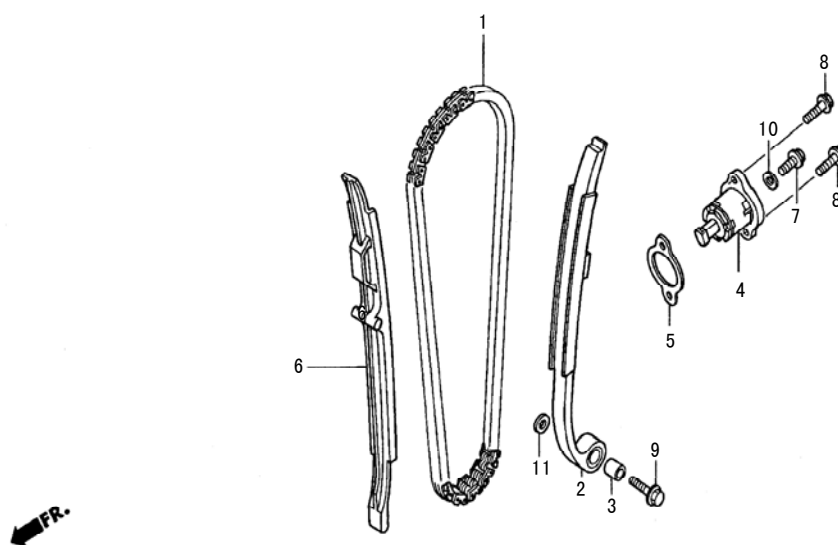
Ref. No.	Part No.	Description	Reqd. QTY	Retail Price
(17)	14945-KT7-013	SHIM, TAPPET (2.300)	2	
	14946-KT7-013	SHIM, TAPPET (2.325)	2	
	14947-KT7-013	SHIM, TAPPET (2.350)	2	
	14948-KT7-013	SHIM, TAPPET (2.375)	2	
	14949-KT7-013	SHIM, TAPPET (2.400)	2	
	14950-KT7-013	SHIM, TAPPET (2.425)	2	
	14951-KT7-013	SHIM, TAPPET (2.450)	2	
	14946-KT7-013	SHIM, TAPPET (2.325)	2	
	14947-KT7-013	SHIM, TAPPET (2.350)	2	
	14948-KT7-013	SHIM, TAPPET (2.375)	2	
	14949-KT7-013	SHIM, TAPPET (2.400)	2	
	14950-KT7-013	SHIM, TAPPET (2.425)	2	
	14951-KT7-013	SHIM, TAPPET (2.450)	2	
	14952-KT7-013	SHIM, TAPPET (2.475)	2	
	14953-KT7-013	SHIM, TAPPET (2.500)	2	
	14954-KT7-013	SHIM, TAPPET (2.525)	2	
	14955-KT7-013	SHIM, TAPPET (2.550)	2	
	14956-KT7-013	SHIM, TAPPET (2.575)	2	
	14957-KT7-013	SHIM, TAPPET (2.600)	2	
	14958-KT7-013	SHIM, TAPPET (2.625)	2	
	14959-KT7-013	SHIM, TAPPET (2.650)	2	
	14960-KT7-013	SHIM, TAPPET (2.675)	2	
	14961-KT7-013	SHIM, TAPPET (2.700)	2	
	14962-KT7-013	SHIM, TAPPET (2.725)	2	
	14963-KT7-013	SHIM, TAPPET (2.750)	2	
	14964-KT7-013	SHIM, TAPPET (2.775)	2	
	14965-KT7-013	SHIM, TAPPET (2.800)	2	
	14966-KT7-013	SHIM, TAPPET (2.825)	2	
	14967-KT7-013	SHIM, TAPPET (2.850)	2	

BLOCK No.
E-3
CAMSHAFT/VALVE



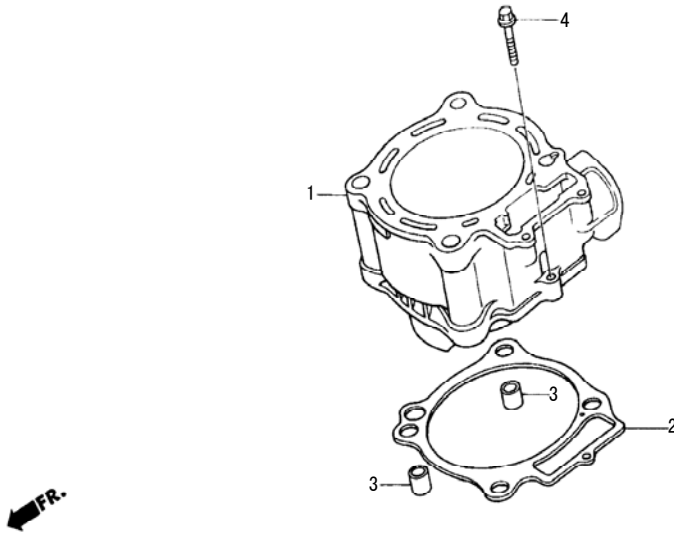
Ref. No.	Part No.	Description	Reqd. QTY	Retail Price
(17)	14968-KT7-013	SHIM, TAPPET (2.875)	2	
	14969-KT7-013	SHIM, TAPPET (2.900)	2	
18	91007-KRN-671	BEARING, BALL, RADIAL, 6905	1	
19	96001-06012-00	BOLT, FLANGE, 6x12	1	

BLOCK No.
E-4
CAM CHAIN/TENSIONER



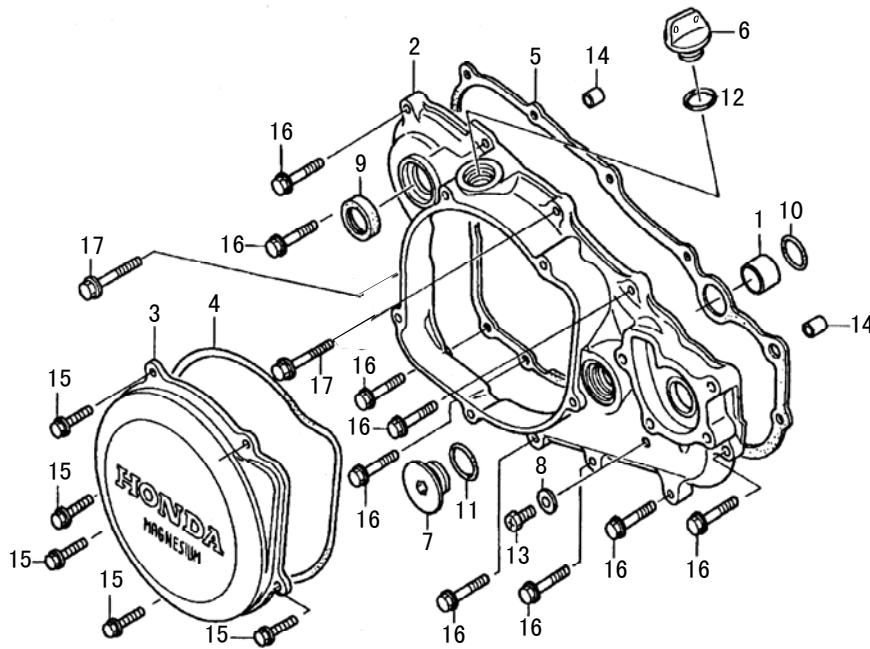
Ref. No.	Part No.	Description	Reqd. QTY	Retail Price
1	14401-KRN-671	CHAIN, CAM (104L)	1	
2	14510-KRN-670	TENSIONER COMP., CAM CHAIN	1	
3	14515-KF0-000	COLLAR, TENSIONER, 6x9	1	
4	14520-KRN-671	LIFTER ASSY., TENSIONER	1	
5	14560-MEN-671	GASKET, TENSIONER LIFTER	1	
6	14620-KRN-670	GUIDE, CAM CHAIN	1	
7	90004-GHB-600	BOLT, FLANGE, 6x10 (NSHF)	1	
8	90004-GHB-630	BOLT, FLANGE, 6x16 (NSHF)	2	
9	90088-MEB-670	BOLT, FLANGE, 6x25	1	
10	90442-397-000	WASHER, SEALING, 6MM	1	
11	90482-567-000	WASHER, SPECIAL, 6MM	1	

BLOCK No.
E-5
CYLINDER



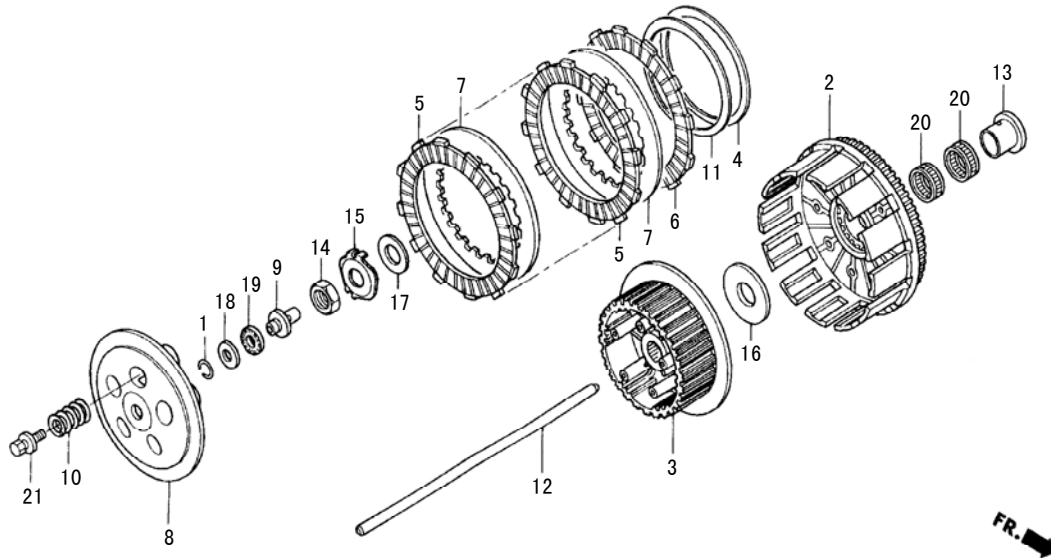
Ref. No.	Part No.	Description	Reqd. QTY	Retail Price
1	12100-KRN-730	CYLINDER	1	
2	12191-KRN-731	GASKET, CYLINDER	1	
3	94301-12200	DOWEL PIN, 12x20	2	
4	96001-06028-00	BOLT, FLANGE, 6x28	1	

BLOCK No.
E-6
R-CRANKCASE COVER



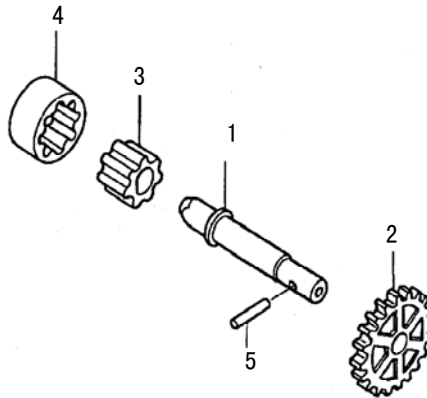
Ref. No.	Part No.	Description	Reqd. QTY	Retail Price
	1	11102-KRN-670	COLLAR, WATER PASS, 16MM	1
	2	11331-KSC-670	COVER, R. CRANKCASE	1
	3	11351-KSC-670	COVER, CLUTCH	1
	4	11352-KRN-671	GASKET, CLUTCH COVER	1
	5	11394-KRN-A00	GASKET, R. COVER	1
M	6	15611-KA3-710W	CAP, OIL FILLER	1
	7	90087-KW3-000	CAP, 30MM	1
	8	90463-ML7-000	WASHER, SEALING, 6.5MM	1
	9	91205-KA3-7121	OIL SEAL, 16.5x25x5 (NOK)	1
	10	91304-MJ0-003	O-RING, 15.8x2.4 (SHOWA)	1
	11	91305-KF0-003	O-RING, 27x2 (ARAI)	1
	12	91370-461-000	O-RING, 11.9x2.2	1
	13	90004-GHB-600	BOLT, FLANGE, 6x10 (NSHF)	1
	14	94301-08140	DOWEL PIN, 8x14	2
	15	96001-06020-00	BOLT, FLANGE, 6x20	5
	16	96001-06028-00	BOLT, FLANGE, 6x28	9
	17	96001-06035-00	BOLT, FLANGE, 6x35	2

BLOCK No.
E-7
CLUTCH



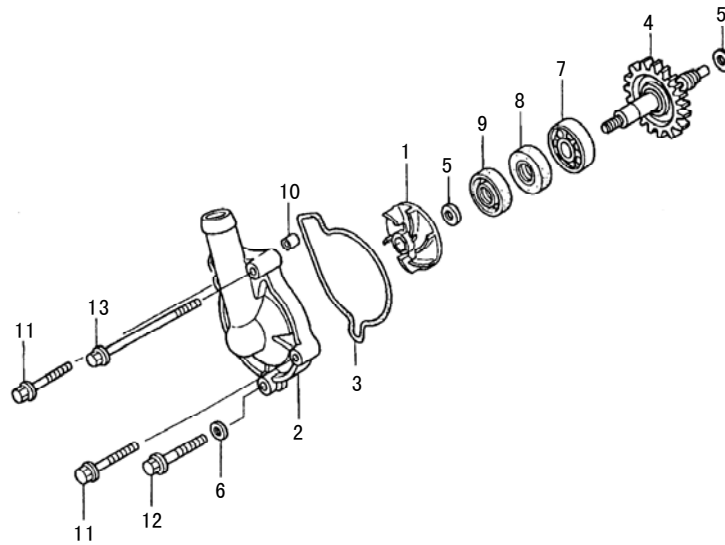
Ref. No.	Part No.	Description	Reqd. QTY	Retail Price
1	13115-147-000	CLIP, PISTON PIN, 10MM	1	
2	22100-KRN-A00	OUTER COMP., CLUTCH	1	
3	22120-KRN-A00	CENTER, CLUTCH	1	
4	22125-435-000	SEAT, JUDDER SPRING	1	
5	22201-KSC-670	DISK A, CLUTCH FRICTION	7	
6	22202-KSC-670	DISK B, CLUTCH FRICTION	1	
7	22321-KF0-770	PLATE, CLUTCH	7	
8	22351-KZ4-A90	PLATE, CLUTCH PRESSURE	1	
9	22352-KZ4-A90	PIECE, CLUTCH LIFTER	1	
10	22401-KSC-670	SPRING, CLUTCH	5	
11	22402-435-000	SPRING, JUDDER	1	
12	22851-KZ3-J20	ROD, CLUTCH LIFTER	1	
13	28237-KSC-670	COLLAR, CLUTCH OUTER	1	
14	90235-KA4-000	NUT, 18MM	1	
15	90441-KSC-670	WASHER, LOCK, 18MM	1	
16	90456-KS6-000	WASHER, THRUST, 20MM	1	
17	90501-ML3-910	WASHER, 18x32x2	1	
18	90608-072-000	WASHER, 12MM	1	
19	91001-147-003	BEARING, NEEDLE, 12MM(NTN)	1	
20	91012-P68-003	BEARING, NEEDLE, 27x31x16.8	2	
21	93404-06020-08	BOLT-WASHER, 6x20	5	

BLOCK No.
E-8
OIL PUMP



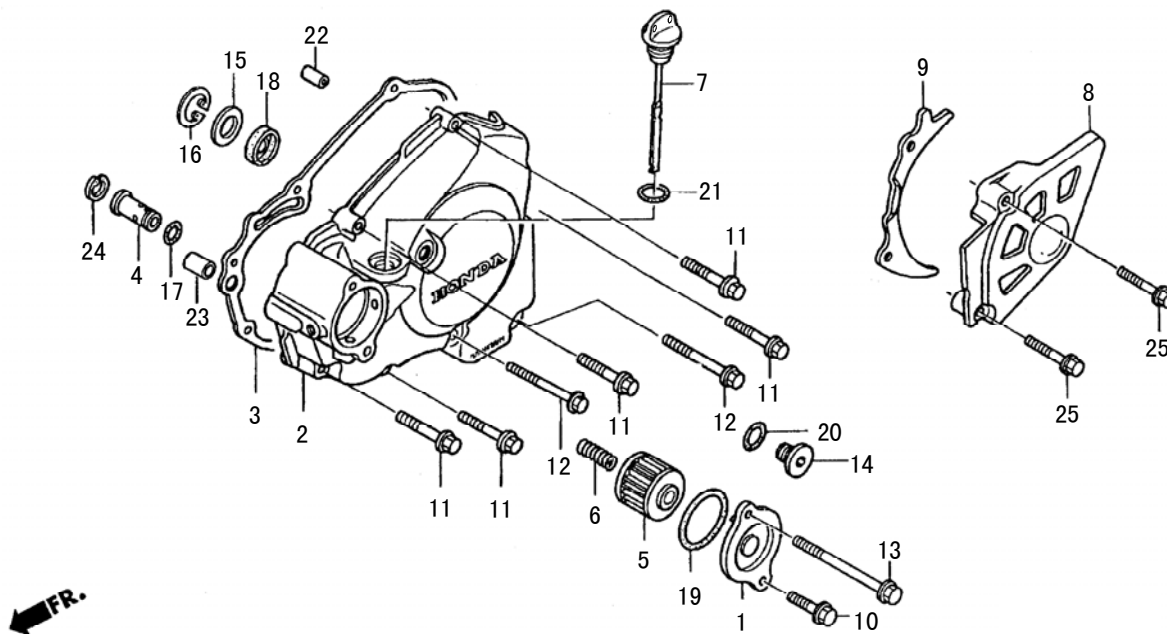
Ref. No.	Part No.	Description	Reqd. QTY	Retail Price
1	15111-KRN-670	SHAFT, OIL PUMP	1	
2	15133-KRN-670	GEAR, OIL PUMP DRIVEN (18T)	1	
3	15331-324-000	ROTOR, OIL PUMP INNER	1	
4	15332-324-000	ROTOR, OIL PUMP OUTER	1	
5	96220-30178	ROLLER, 3x17.8	1	

BLOCK No.
E-9
WATER PUMP



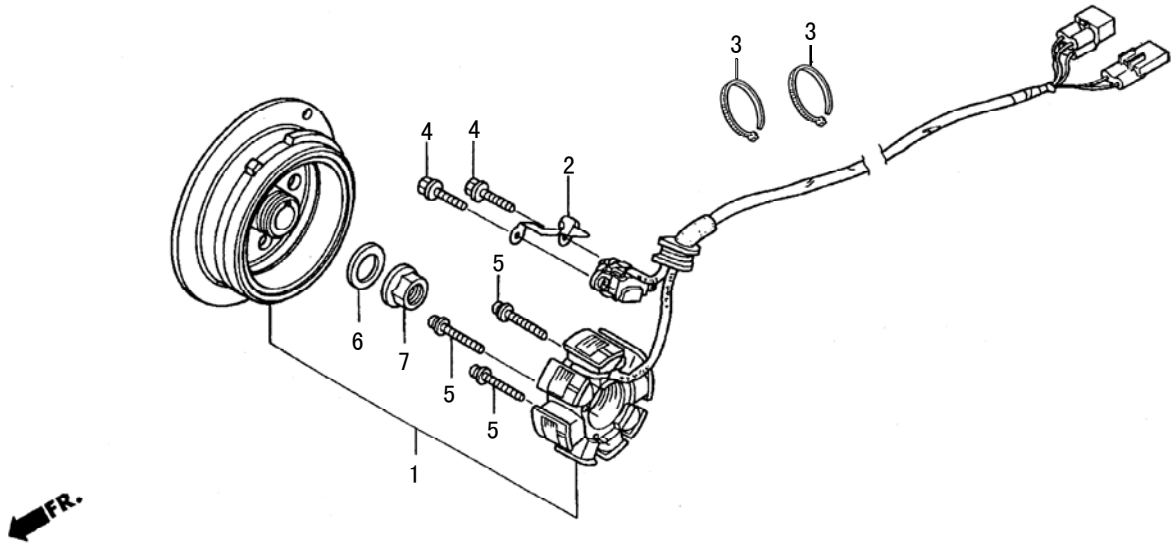
Ref. No.	Part No.	Description	Reqd. QTY	Retail Price
1	19215-KRN-A00	IMPELLER, WATER PUMP	1	
2	19221-KRN-A00	COVER, WATER PUMP	1	
3	19226-KRN-670	GASKET, WATER PUMP	1	
4	19240-KSC-670	GEAR COMP., WATER PUMP (22T)	1	
5	90447-KE1-000	WASHER, SEALING, 7MM	1	
6	90463-ML7-000	WASHER, SEALING, 6.5MM	1	
7	91001-KA4-003	BEARING, RADIAL BALL, 12x28x7 (NTN)	1	
8	91201-148-003	OIL SEAL, 12x22x5 (ARAI)	1	
9	91211-KSE-671	SEAL, WATER PUMP	1	
10	94301-08100	DOWEL PIN, 8x10	1	
11	96001-06028-00	BOLT, FLANGE, 6x28	2	
M 12	96001-06028-00W	BOLT, FLANGE, 6x28	1	
13	96001-06085-00	BOLT, FLANGE, 6x85	1	

BLOCK No.
E-10
L.CRANKCASE COVER



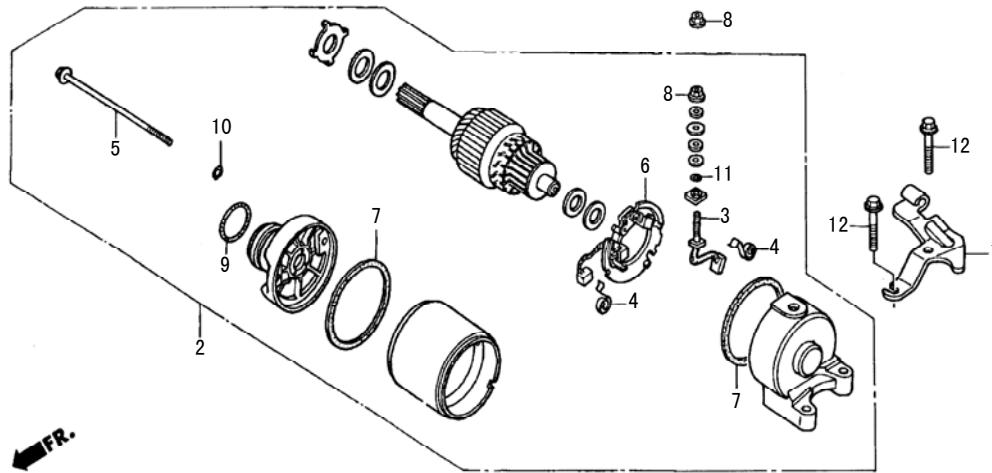
Ref. No.	Part No.	Description	Reqd. QTY	Retail Price
	1	11333-KRN-670	COVER, OIL FILTER	1
	2	11340-KRN-670	COVER COMP., L.CRANKCASE	1
	3	11395-KRN-670	GASKET, L.COVER	1
	4	15220-MEB-770	VALVE ASSY., RELIEF	1
	5	15412-MEN-671	FILTER COMP., ENGINE OIL	1
	6	15414-MEB-670	SPRING, OIL FILTER	1
M	7	15650-KRN-670W	GAUGE, OIL LEVEL	1
M	8	23810-10512-670	COVER COMP., DRIVE SPROCKET	1
M	9	23812-10512-670	GUIDE, DRIVECHAIN	1
M	10	90004-GHB-630W	BOLT, FLANGE, 6x16 (NSHF)	1
	11	90004-GHB-690	BOLT, FLANGE, 6x32 (NSHF)	5
	12	90004-GHB-710	BOLT, FLANGE, 6x40 (NSHF)	2
M	13	90004-GHB-780W	BOLT, FLANGE, 6x75 (NSHF)	1
	14	90084-MEN-670	CAP, 14MM	1
	15	90451-459-770	WASHER, THRUST, 13MM	1
	16	90602-MEB-670	CIRCLIP, 24MM	1
	17	90751-GK1-003	O-RING, 8.5x1.7	1
	18	91204-HP1-601	OIL SEAL, 10x21x5	1
	19	91302-PA9-003	O-RING, 39.8x2.2 (ARAI)	1
	20	91303-377-000	O-RING, 13.8x2.5	1
	21	91307-035-000	O-RING, 18x3	1
	22	94301-08140	DOWEL PIN, 8x14	1
	23	94301-10160	DOWEL PIN, 10x16	1
	24	94520-14000	CIRCLIP, 14MM	1
	25	96001-06030-07	BOLT, FLANGE, 6x30	2

BLOCK No.
E-11
GENERATOR



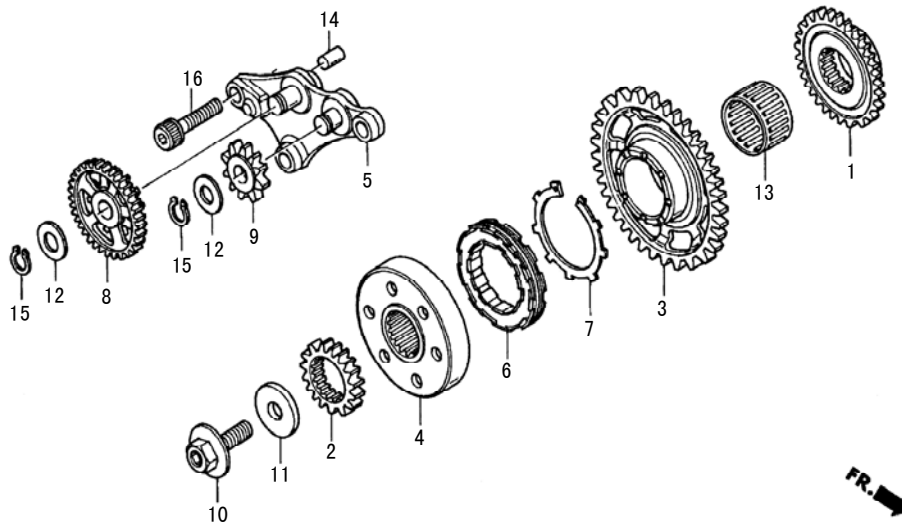
Ref. No.	Part No.	Description	Reqd. QTY	Retail Price
1	31100-KSC-A11	GENERATOR ASSY., FLYWHEEL TYPE A.C.	1	
2	32112-KRN-670	BRACKET, CORD	1	
3	90650-25100-10	BAND, SELF LOCK 2.5x100 BK	3	
4	90005-896-000	BOLT, FLANGE, 5x16	2	
5	90010-MEB-670	SCREW-WASHER, 4x24	3	
6	90437-611-000	WASHER, PLAIN, 12MM	1	
7	94050-12000	NUT, FLANGE, 12MM	1	

BLOCK No.
E-12
STARTING MOTOR



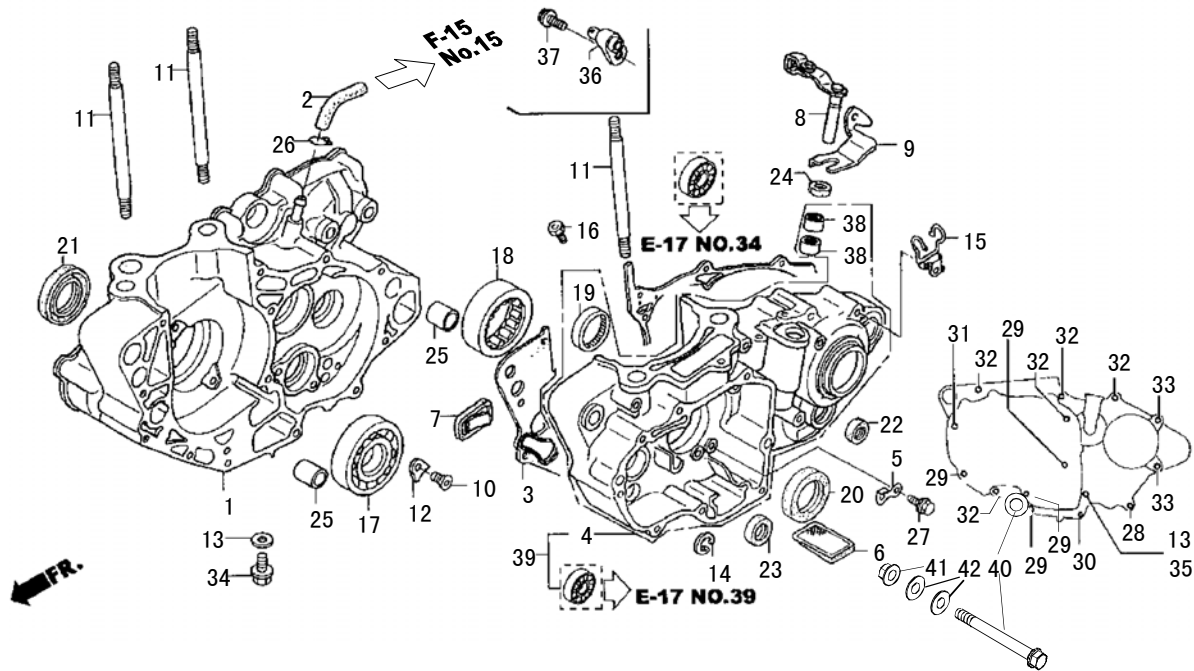
Ref. No.	Part No.	Description	Reqd. QTY	Retail Price
1	22838-KSC-670	RECEIVER, CLUTCH CABLE	1	
2	31200-KSC-671	MOTOR ASSY., STARTING	1	
3	31201-MBE-008	TERMINAL SET, BRUSH	1	
4	31204-KS5-901	SPRING, CARBON BRUSH	2	
5	31205-MBE-008	BOLT, SETTING	2	
6	22838-KSC-671	HOLDER SET, BRUSH	1	
7	31200-KSC-672	RING	2	
8	31201-MBE-009	NUT-WASHER, 6MM	2	
9	31204-KS5-902	O-RING, 24.4x3.1 (ARAI)	1	
10	31205-MBE-009	O-RING	2	
11	22838-KSC-672	BOLT, FLANGE 6x28	2	

BLOCK No.
E-13
STARTING CLUTCH



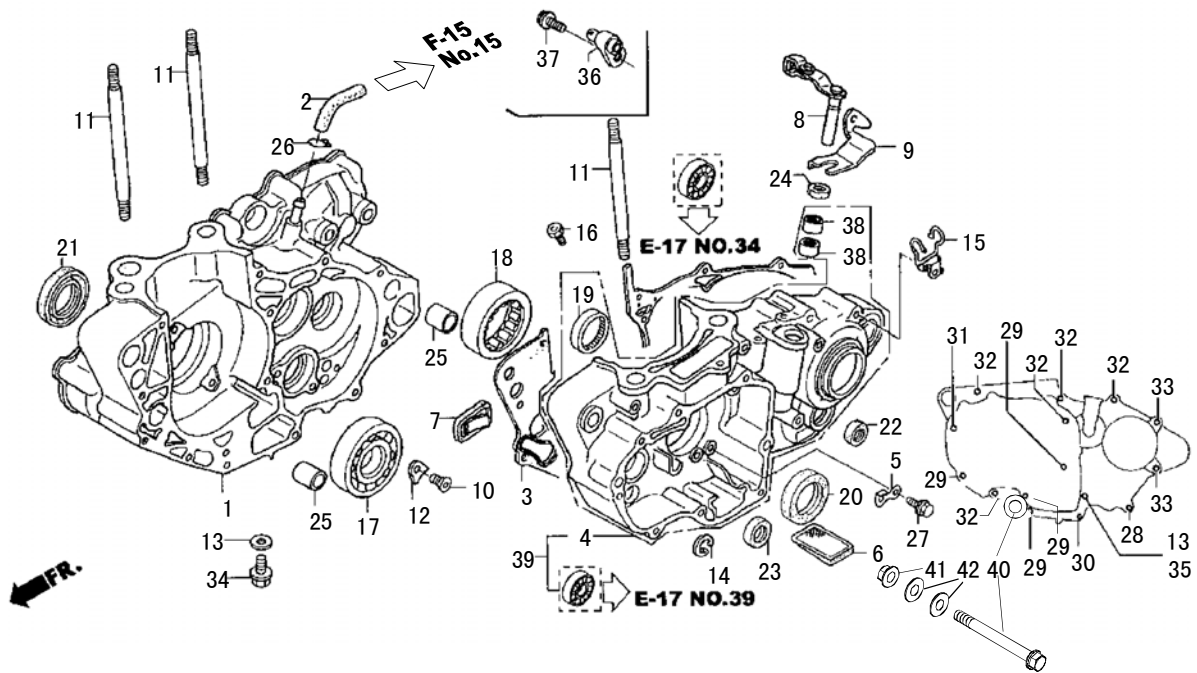
Ref. No.	Part No.	Description	Reqd. QTY	Retail Price
1	13415-KRN-670	GEAR, BALANCER DRIVE (32T)	1	
2	23121-KSC-670	GEAR, PRIMARY DRIVE (18T)	1	
3	28110-KSC-670	GEAR COMP., STARTING DRIVEN (38T)	1	
4	28115-KSC-670	OUTER, STARTING CLUTCH	1	
5	28120-KSC-670	HOLDER COMP., STARTER GEAR	1	
6	28125-MT7-004	CLUTCH, ONE WAY	1	
7	28127-MS2-612	RING, FRICTION	1	
8	28131-KSC-670	GEAR, STARTING REDUCTION (53T/10T)	1	
9	28141-KSC-670	GEAR, STARTING IDLE (10T)	1	
10	90013-MEB-670	BOLT, SPECIAL, 12x28	1	
11	90402-KW6-960	WASHER, PLAIN, 12MM	1	
12	90452-166-600	WASHER, THRUST, 12MM	2	
13	91025-KT7-003	BEARING, NEEDLE, 30x35x20	1	
14	94303-08140	DOWEL PIN, 8x14	1	
15	94510-12000	CIRCLIP, EXTERNAL, 12MM	2	
16	96600-08028-00	BOLT, SOCKET, 8x28	3	

BLOCK No.
E-14
CRANKCASE



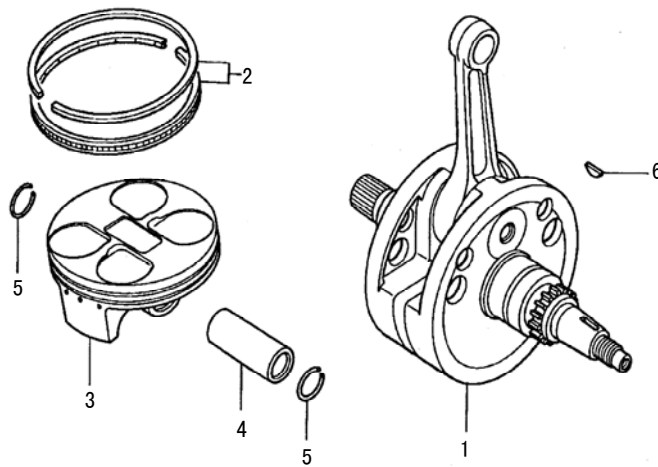
Ref. No.	Part No.	Description	Reqd. QTY	Retail Price
1	11100-10512-A20	CRANKCASE COMP., R.	1	
2	11105-KSC-670	TUBE A, BREATHER	1	
3	11191-KRN-A10	GASKET, CRANKCASE	1	
4	11200-10512-A20	CRANKCASE COMP., L.	1	
5	11206-KRN-670	PLATE, CAM CHAIN GUIDE	1	
6	15421-KK0-000	SCREEN, OIL FILTER	1	
7	18601-MBW-003	VALVE COMP., REED	1	
8	22810-KSC-A10	LEVER COMP., CLUTCH LIFTER	1	
9	22813-KRN-670	PLATE, CLUTCH LEVER	1	
10	90001-MEN-850	SCREW, SPECIAL FLAT, 6x17	2	
11	90031-KRN-670	BOLT, STUD, 10x135	4	
12	90441-KRN-670	PLATE, BEARING HOLDER	2	
13	90474-333-000	WASHER, SEALING, 8MM	2	
14	90604-MEB-670	CIRCLIP, SPECIAL, 33MM	1	
15	90610-MEB-670	GUIDE COMP., TUBE	1	
16	90901-KRN-A00	ORIFICE, #170	1	
17	91001-KRN-671	BEARING, RADIAL BALL, 30x72x16	1	
18	91002-KRN-851	BEARING, SPECIAL ROLLER	1	
19	91022-KA4-740	BEARING, SHELL, 33x38x8 (NTN)	1	
20	91201-MEB-671	OIL SEAL, 38x52x7(ARAI)	1	
21	91202-MEY-671	OIL SEAL, 39x56x7.5(ARAI)	1	
22	91203-KA4-771	OIL SEAL, 14x22x5(NOK)	1	
23	91203-MEB-671	OIL SEAL, 20x33x5(ARAI)	1	
24	91205-MEB-671	OIL SEAL, 12x18x3(ARAI)	1	
25	94301-14200	DOWEL PIN, 14x20	2	
26	95002-02100	CLIP, TUBE (B10)	1	
27	96001-06012-00	BOLT, FLANGE, 6x12	1	
28	96001-06040-00	BOLT, FLANGE, 6x40	1	
29	96001-06045-00	BOLT, FLANGE, 6x45	4	

BLOCK No.
E-14
CRANKCASE



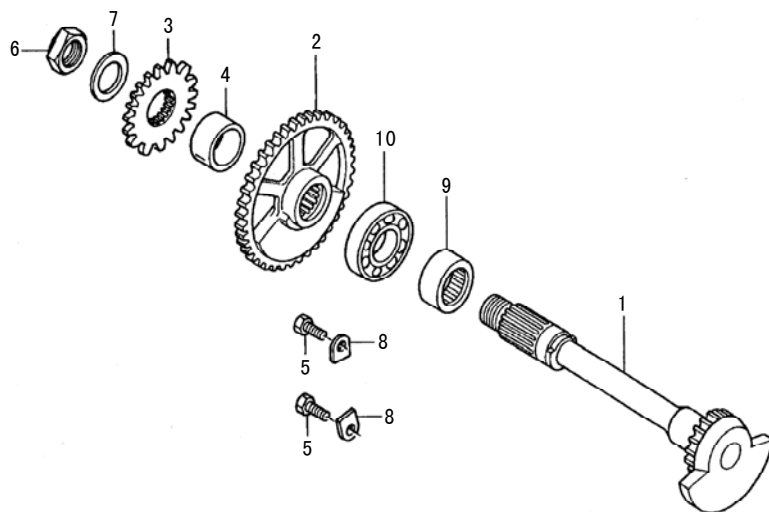
Ref. No.	Part No.	Description	Reqd. QTY	Retail Price
M 30	96001-06045-00W	BOLT, FLANGE, 6x45	1	
	31	96001-06060-00	1	
	32	96001-06070-00	5	
	33	96001-06075-00	2	
M 34	96300-08025-00W	BOLT, FLANGE, 8x25	1	
M 35	96300-08070-00W	BOLT, FLANGE, 8x70	1	
	36	11210-KRN-730	1	
	37	96001-06012-00	1	
	38	91053-719-005	2	
	39	11200-KSC-315	1	
M 40	9170-10125-1610	BOLT, FLANGE, 10x125	1	
	41	90304-GA6-003	1	
M 42	94103-10026-90	WASHER, 10	2	

BLOCK No.
E-15
CRANKSHAFT/PISTON



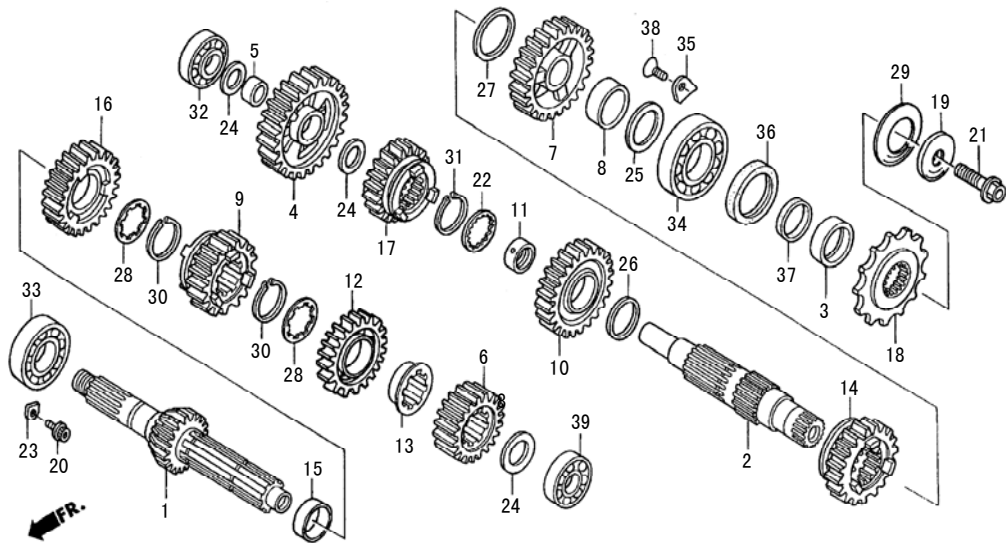
Ref. No.	Part No.	Description	Reqd. QTY	Retail Price
1	13000-KSC-A10	CRANKSHAFT COMP.	1	
2	13011-KRN-850	RING SET, PISTON (STD.)	1	
3	13101-KRN-850	PISTON	1	
4	13111-KRN-850	PIN, PISTON	1	
5	13115-KM7-700	CLIP, PISTON PIN, 16MM	2	
6	13331-360-000	KEY, SPECIAL WOODRUFF, 25x14	1	

BLOCK No.
E-16
BALANCER



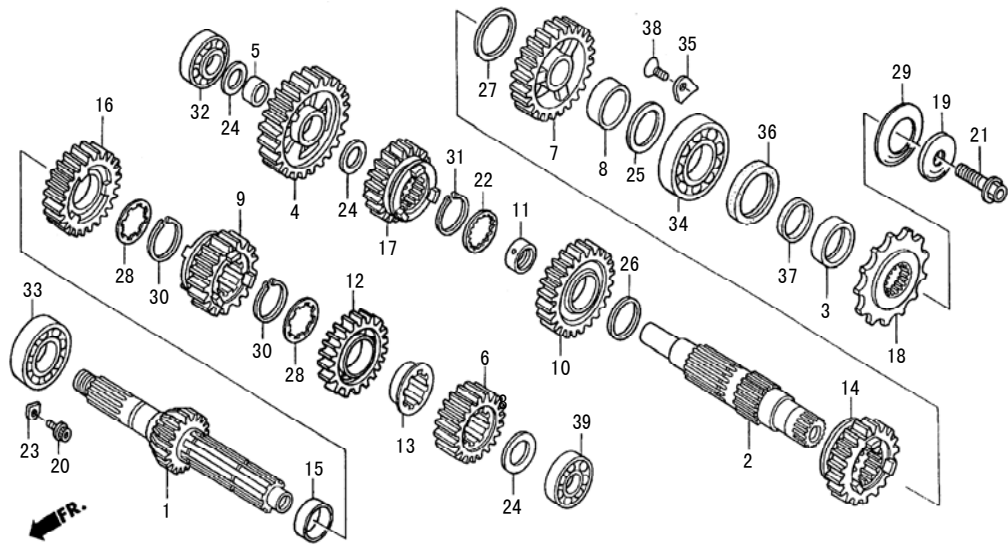
Ref. No.	Part No.	Description	Reqd. QTY	Retail Price
1	13420-KSC-A10	SHAFT COMP., BALANCER	1	
2	13422-KRN-A00	GEAR, BALANCER DRIVEN (32T)	1	
3	19245-KRN-671	GEAR, WATER PUMP DRIVE (19T)	1	
4	19246-KSC-670	COLLAR, WATER PUMP GEAR	1	
5	90038-KY4-900	BOLT, HEX., 6x16	2	
6	90204-MN5-000	NUT, HEX., 14MM	1	
7	90433-KE1-000	WASHER, 14MM	1	
8	90441-KA4-700	PLATE, BEARING HOLDER	2	
9	91004-MEB-671	BEARING, SPECIAL ROLLER, 20x32x14	1	
10	91005-MEB-671	BEARING, RADIAL BALL, TMB 6003	1	

BLOCK No.
E-17
TRANSMISSION



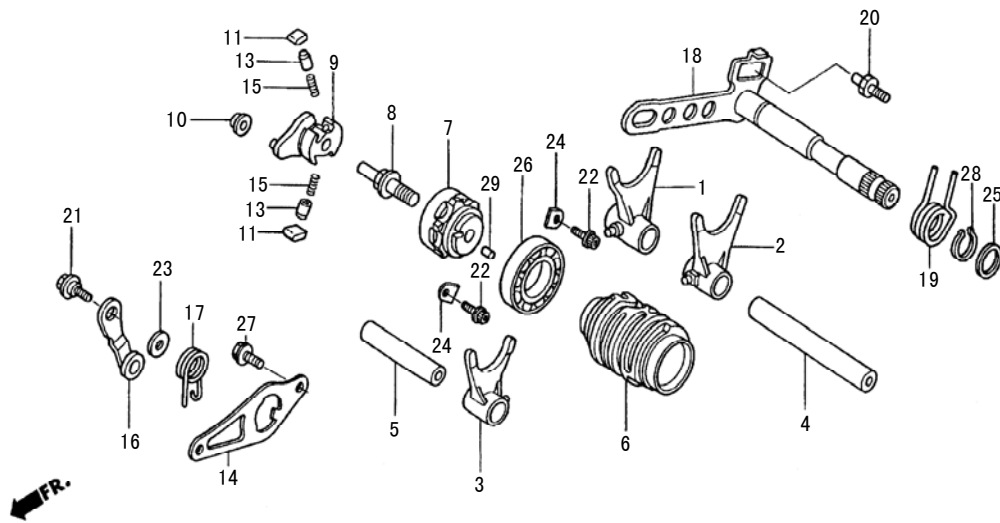
Ref. No.	Part No.	Description	Reqd. QTY	Retail Price
1	23210-KSC-A10	SHAFT COMP., MAIN (13T)	1	
2	23221-KSC-A10	COUNTERSHAFT COMP.	1	
3	23225-KSC-670	COLLAR, COUNTERSHAFT	1	
4	23411-KSC-670	GEAR, COUNTERSHAFT LOW (31T)	1	
5	23413-KSC-670	COLLAR, 17MM	1	
6	23421-KSC-670	GEAR, MAINSHAFT SECOND (16T)	1	
7	23431-KSC-670	GEAR, COUNTERSHAFT SECOND (28T)	1	
8	23432-KSC-670	COLLAR, 24MM	1	
9	23441-KSC-670	GEAR, MAINSHAFT THIRD (21T)	1	
10	23451-KSC-670	GEAR, COUNTERSHAFT THIRD (28T)	1	
11	23452-KSC-670	COLLAR, COUNTERSHAFT THIRD GEAR	1	
12	23461-KSC-670	GEAR, MAINSHAFT FOURTH (24T)	1	
13	23462-KSC-670	COLLAR, MAINSHAFT FOURTH GEAR	1	
14	23471-KSC-670	GEAR, COUNTERSHAFT FOURTH (25T)	1	
15	23472-KZ4-000	COLLAR, 20MM	1	
16	23481-KSC-670	GEAR, MAINSHAFT FIFTH (27T)	1	
17	23491-KSC-670	GEAR, COUNTERSHAFT FIFTH (22T)	1	
M 18	23804-10512-00	SPROCKET, DRIVE (17T)	1	
M 18	23805-10512-00	SPROCKET, DRIVE (18T)	(1)	
19	23802-KSC-670	COLLAR, DRIVE SPROCKET	1	
20	90071-MF5-000	BOLT, FLANGE SOCKET, 6x14	2	
21	90112-413-000	BOLT, UBS, 8x33	1	
22	90404-KW3-000	WASHER, THRUST, 22x21x1	1	
23	90441-KA4-700	PLATE, BEARING HOLDER	2	
24	90446-357-000	WASHER, THRUST, 17.2MM	3	
25	90452-KSR-A00	WASHER, 24x32x1	1	
26	90452-KZ4-000	WASHER, THRUST, 22x30x1	1	
27	90453-KSR-A00	WASHER, 22x32x1.5	1	

BLOCK No.
E-17
TRANSMISSION



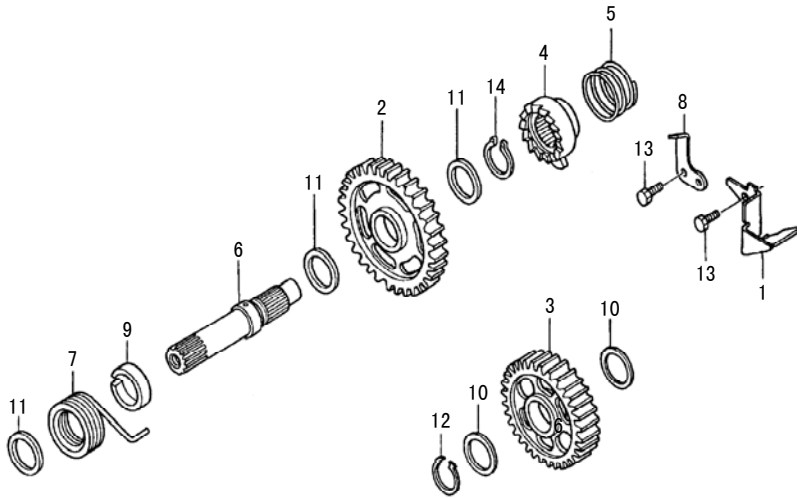
Ref. No.	Part No.	Description	Reqd. QTY	Retail Price
28	90455-HM8-A40	WASHER, SPLINE, 20MM	2	
29	90501-KSC-670	WASHER, SPRING, 24MM	1	
30	90601-360-000	SET RING, 20MM	2	
31	90602-360-000	SET RING, 22MM	1	
32	91001-KZ4-J11	BEARING, RADIAL, BALL, 17x35x10	1	
33	91004-KSC-671	BEARING, RADIAL, BALL, 22x47x14	1	
34	91005-KRN-A01	BEARING, RADIAL, BALL, 22x52x14	1	
35	91012-KA3-710	PLATE, COUNTERSHAFT BEARING	2	
36	91201-KSR-A01	OIL SEAL, 28x37x7	1	
37	91301-KSR-A01	D-RING, 22MM	1	
38	93600-06010-0H	SCREW, FLAT, 6x10	2	
39	91006-KRN-A01	BEARING, RADIAL, BALL, 17x38x10	1	

BLOCK No.
E-18
GEARSHIFT DRUM



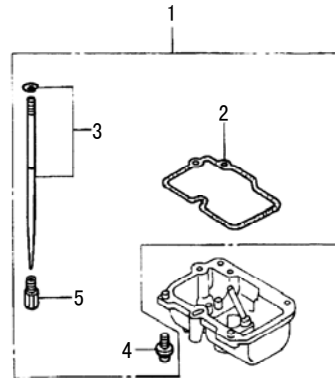
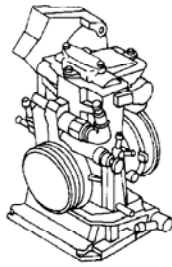
Ref. No.	Part No.	Description	Reqd. QTY	Retail Price
1	24211-KSC-670	FORK, R. GEARSHIFT	1	
2	24221-KSC-670	FORK, L. GEARSHIFT	1	
3	24231-KSC-670	FORK C, GEARSHIFT	1	
4	24241-KSC-670	SHIFT A, SHIFT FORK	1	
5	24242-KSC-670	SHIFT B, SHIFT FORK	1	
6	24311-KRN-A00	DRUM, GEARSHIFT	1	
7	24312-KA3-741	CENTER, GEARSHIFT DRUM	1	
8	24315-HA0-000	PIN, SHIFTER	1	
9	24321-KZ4-620	SHIFTER, DRUM	1	
10	24322-MM4-000	COLLAR, SHIFTER	1	
11	24324-KA3-711	PAWL A, RATCHET	1	
12	24325-KA3-711	PAWL B, RATCHET	1	
13	24326-KBH-901	PLUNGER, PAWL	2	
14	24328-KRN-670	PLATE, GUIDE	1	
15	24329-KA3-740	SPRING, PAWL PLUNGER	2	
16	24430-KA3-740	STOPPER COMP., DRUM	1	
17	24435-KZ4-690	SPRING, DRUM STOPPER	1	
18	24610-KRN-730	SPINDLE COMP., GEARSHIFT	1	
19	24651-MEB-670	SPRING, GEARSHIFT RETURN	1	
20	24652-HA0-000	PIN, GEARSHIFT RETURN SPRING	1	
21	90022-MG8-000	PIVOT, SHIFT DRUM STOPPER ARM	1	
22	90071-MF5-000	BOLT, FLANGE SOCKET, 6x14	2	
23	90435-HB3-000	WASHER, 6.1MM	1	
24	90441-KA4-700	PLATE, BEARING HOLDER	2	
25	90451-155-000	WASHER, 14MM	1	
26	91004-KY4-900	BEARING, RADIAL BALL, 6905U	1	
27	93301-06016-0A	BOLT, HEX., 6x16	2	
28	94510-14000	CIRCLIP, EXTERNAL, 14MM	1	
29	96220-40080	ROLLER, 4x8	1	

BLOCK No.
E-19
KICK STARTER SPINDLE



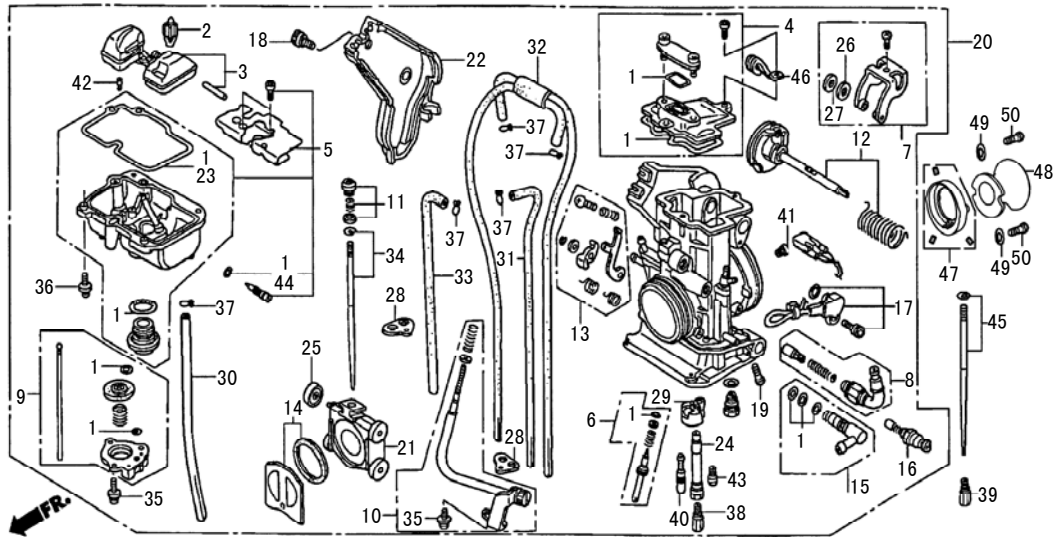
Ref. No.	Part No.	Description	Reqd. QTY	Retail Price
1	15201-KSC-670	PLATE, OIL GUIDE	1	
2	28210-KSC-670	PINION COMP., KICK STARTER (32T)	1	
3	282320-KRN-670	GEAR COMP., STARTER IDLE (30T)	1	
4	28241-KA3-710	RATCHET, STARTER	1	
5	28242-KA3-710	SPRING RATCHET	1	
6	28251-KZ4-000	SPINDLE, KICK STARTER	1	
7	28261-KA3-710	SPRING STARTER RETURN	1	
8	28262-KS6-701	PLATE, RATCHET SLIDER	1	
9	28282-KZ4-B00	COLLAR, KICK SPINDLE	1	
10	90452-178-000	WASHER, THRUST, 17MM	2	
11	90501-444-000	WASHER, 16.8x24	3	
12	90601-001-000	CIRCLIP, EXTERNAL, 17MM	1	
13	93301-06016-0A	BOLT, HEX., 6x16	2	
14	94510-16000	CIRCLIP, EXTERNAL, 16MM	1	

BLOCK No.
E-20-1
CARBURETOR, O, P, KIT



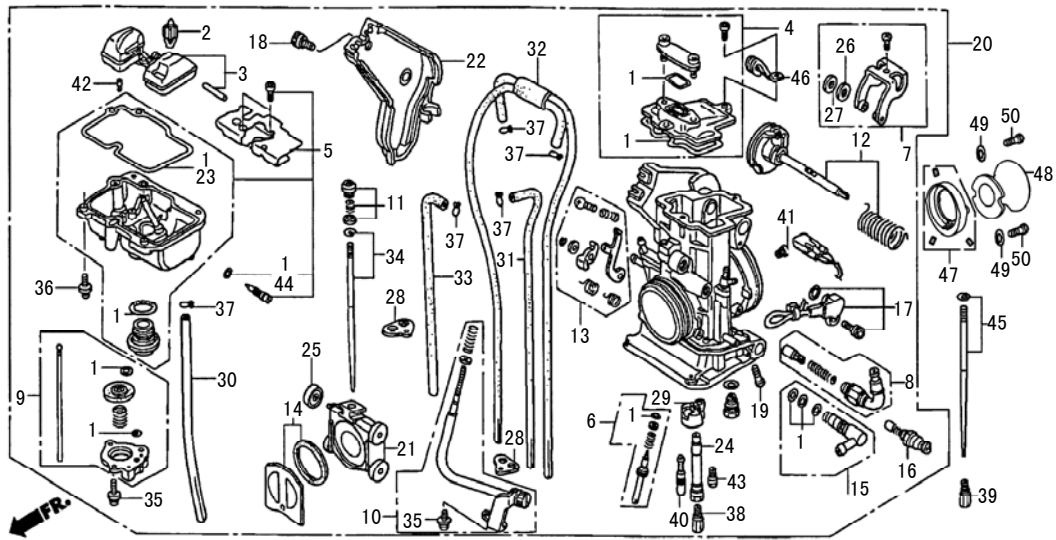
Ref. No.	Part No.	Description	Reqd. QTY	Retail Price
1	16020-KRN-J00	PARTS KIT, CARBURETOR, O.P.	1	
2	161163-MEB-671	GASKET, FLOAT CHAMBER	1	
3	16201-MEN-671	NEEDLE SET, JET, (NCYP)	1	
	16203-MEN-671	NEEDLE SET, JET, (NCYR)	1	
	16204-MEN-671	NEEDLE SET, JET, (NCYS)	1	
	16229-KRN-731	NEEDLE SET, JET, (NCVN)	1	
	16230-MEN-671	NEEDLE SET, JET, (NCVP)	1	
	16231-MEN-671	NEEDLE SET, JET, (NCVQ)	1	
	16232-MEN-671	NEEDLE SET, JET, (NCVR)	1	
	16233-MEN-671	NEEDLE SET, JET, (NCVS)	1	
4	93892-04014-18	SCREW, WASHER 4x14	10	
5	99101-357-1620	JET, MAIN, #162	1	
	99101-357-1650	JET, MAIN, #165	1	
	99101-357-1680	JET, MAIN, #168	1	
	99101-357-1700	JET, MAIN, #170	1	
	99101-357-1750	JET, MAIN, #175	1	
	99101-357-1780	JET, MAIN, #178	1	
	99101-357-1800	JET, MAIN, #180	1	
	99101-357-1820	JET, MAIN, #182	1	

BLOCK No.
E-20
CARBURETOR



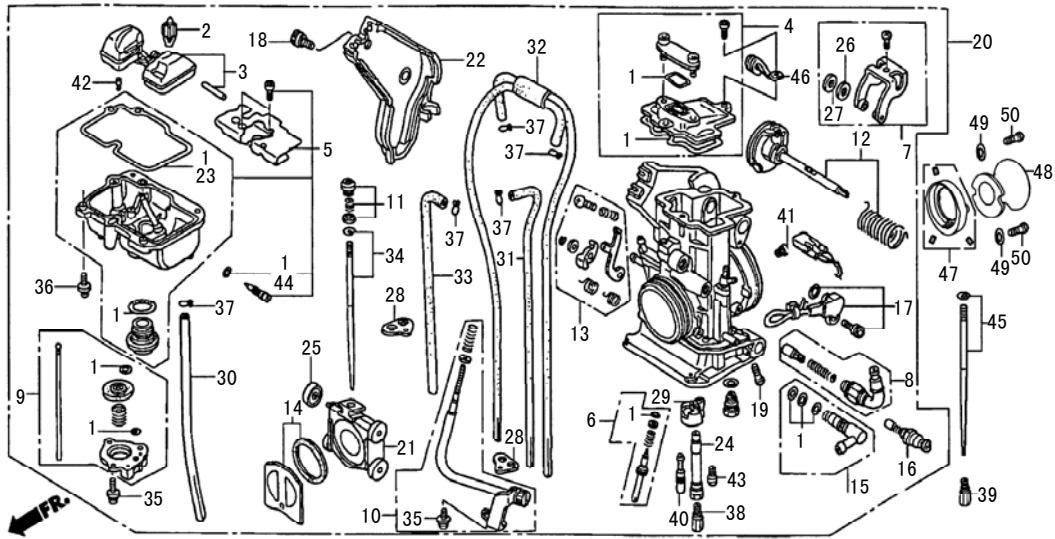
Ref. No.	Part No.	Description	Reqd. QTY	Retail Price
1	16010-KSC-671	GASKET SET	1	
2	16011-MEN-851	VALVE SET, FLOAT	1	
3	16013-KRN-851	FLOAT SET	1	
4	16014-KRN-A01	TOP SET	1	
5	16015-KRN-A01	CHAMBER SET, FLOAT	1	
6	16016-KRN-A01	SCREW SET A	1	
7	16018-MEY-A11	ARM SET, LINK	1	
8	16019-MEB-671	START SET, HOT	1	
9	16021-MEN-A01	DIAPHRAGM SET, PUMP	1	
10	16028-MEN-A01	SCREW SET B	1	
11	16029-MEY-A11	SCREW SET, JETNEEDLE	1	
12	16032-KRN-A11	SHAFT SET THROTTLE	1	
13	16033-MEN-A01	LEVER SET, PUMP	1	
14	16037-MEB-671	VALVE SET, FLOATING	1	
15	16038-KRN-671	JOINT SET, FUEL	1	
16	16046-MEB-671	VALVE SET, STARTER	1	
17	16060-KRN-671	SENSOR ASSY., THROTTLE	1	
18	16080-HP1-601	BOLT, COVER	1	
19	16083-MEB-671	SCREW, PAN	1	
20	16100-KRN-E12	CARBURETOR ASSY. (FCR12C A)	1	
21	16112-HP1-A01	VALVE, THROTTLE	1	
22	16157-MEN-A01	COVER, THROTTLE	1	
23	16163-MEB-671	GASKET, FLOAT CHAMBER	1	
24	16165-MEN-A01	HOLDER, NEEDLE JET	1	
25	16172-MEB-671	ROLLER	1	
26	16177-MEB-671	WASHER, PLAIN (PO)	1	
27	16178-MEB-671	WASHER, PLAIN (SUS)	1	
28	16178-MEN-851	BINDER	2	
29	16185-KRN-851	PLATE, BUFFER	1	

BLOCK No.
E-20
CARBURETOR



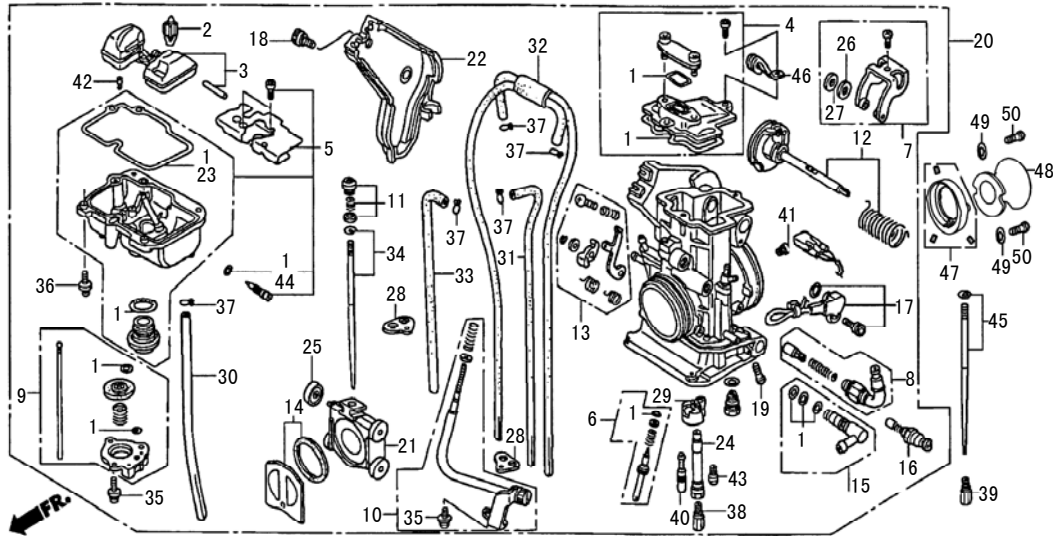
Ref. No.	Part No.	Description	Reqd. QTY	Retail Price
30	16196-MEN-851	TUBE, OVERFLOW	1	
31	16197-MEB-671	TUBE, AIR VENT	1	
32	16198-MEB-671	TUBE COMP., AIR VENT	1	
33	16199-MEB-671	TUBE, AIR VENT	1	
34	16201-KRN-731	NEEDLE SET, JET (NCYN)	(1)	
	16201-MEN-671	NEEDLE SET, JET (NCYP)	(1)	
	16202-MEN-671	NEEDLE SET, JET (NCYQ)	(1)	
	16203-MEN-671	NEEDLE SET, JET (NCYR)	1	
	16204-MEN-671	NEEDLE SET, JET (NCYS)	(1)	
	16229-KRN-731	NEEDLE SET, JET (NCVN)	(1)	
	16230-MEN-671	NEEDLE SET, JET (NCVP)	(1)	
	16231-MEN-671	NEEDLE SET, JET (NCVQ)	(1)	
	16232-MEN-671	NEEDLE SET, JET (NCVR)	(1)	
	16233-MEN-671	NEEDLE SET, JET (NCVS)	(1)	
35	93892-04008-18	SCREW-WASHER, 4x8	4	
36	93892-04014-18	SCREW-WASHER, 4x14	4	
37	95002-02079	CLIP, TUBE (B7)	5	
38	99101-357-1500	JET, MAIN, #150	(1)	
	99101-357-1520	JET, MAIN, #152	(1)	
	99101-357-1550	JET, MAIN, #155	(1)	
	99101-357-1580	JET, MAIN, #158	(1)	
	99101-357-1600	JET, MAIN, #160	1	
	99101-357-1620	JET, MAIN, #162	(1)	
	99101-357-1650	JET, MAIN, #165	(1)	
	99101-357-1680	JET, MAIN, #168	(1)	
	99101-357-1700	JET, MAIN, #170	(1)	

BLOCK No.
E-20
CARBURETOR



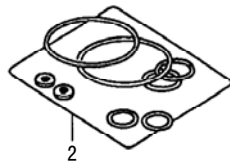
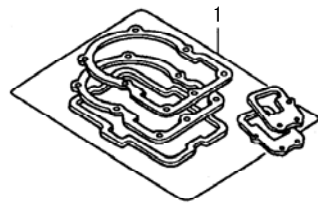
Ref. No.	Part No.	Description	Reqd. QTY	Retail Price
38	99101-357-1720	JET, MAIN, #172	(1)	
	99101-357-1750	JET, MAIN, #175	(1)	
	99101-357-1780	JET, MAIN, #178	(1)	
	99101-357-1800	JET, MAIN, #180	(1)	
	99101-357-1820	JET, MAIN, #182	(1)	
39	99101-357-1450	JET, MAIN, #145	(1)	
	99101-357-1480	JET, MAIN, #148	(1)	
40	99103-440-0350	JET, SLOW, #35	(1)	
	99103-440-0380	JET, SLOW, #38	(1)	
	99103-440-0400	JET, SLOW, #40	(1)	
	99103-440-0420	JET, SLOW, #42	1	
	99103-440-0450	JET, SLOW, #45	(1)	
	99103-440-0480	JET, SLOW, #48	(1)	
41	99104-MEB-1000	JET, SLOW AIR, #100	1	
42	99108-KRN-0400	JET, LEAK, #40	(1)	
	99108-KRN-0450	JET, LEAK, #45	(1)	
	99108-KRN-0500	JET, LEAK, #50	(1)	
	99108-KRN-0700	JET, LEAK, #70	1	
	99108-KRN-0750	JET, LEAK, #75	(1)	
	99108-KRN-0800	JET, LEAK, #80	(1)	
	99108-KRN-0850	JET, LEAK, #85	(1)	
	99108-KSC-0650	JET, LEAK, #65	(1)	
	99108-MEB-0550	JET, LEAK, #55	(1)	

BLOCK No.
E-20
CARBURETOR



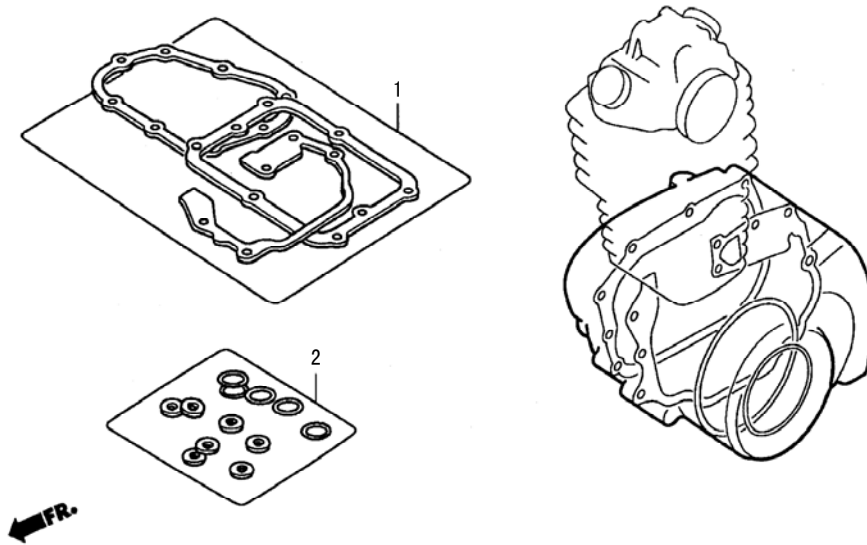
Ref. No.	Part No.	Description	Reqd. QTY	Retail Price
43	99112-KRN-0680	JET, BY-STARTER, #68	1	
44	16076-ND5-004	O-RING 1.3x4.3	1	
45	16203-MEN-671	NEEDLE SET, JET (NCYR)	1	
	16201-KRN-J01	NEEDLE SET, JET (NKDR)	(1)	
	16202-KRN-J01	NEEDLE SET, JET (NKDS)	(1)	
	16203-KRN-J01	NEEDLE SET, JET (NKDT)	(1)	
	16204-KRN-J01	NEEDLE SET, JET (NKDU)	(1)	
	16205-KRN-J01	NEEDLE SET, JET (NKDV)	(1)	
	16230-KRN-J01	NEEDLE SET, JET (NJLR)	(1)	
	16231-KRN-J01	NEEDLE SET, JET (NJLS)	(1)	
	16232-KRN-J01	NEEDLE SET, JET (NJLT)	(1)	
	16233-KRN-J01	NEEDLE SET, JET (NJLU)	(1)	
	16234-KRN-J01	NEEDLE SET, JET (NJLV)	(1)	
	46	16088-KRN-A01	CLIP	1
M	47	16101-10512-00	FUNNEL, BASE	1
M	48	133-000-4500	FUNNEL, 45MM	1
M	49	90452-323-000	WASHER 5.5x12	2
M	50	970000-05006	BOLT, CAP 5x6	2

BLOCK No.
EOP-1
GASKET KIT A



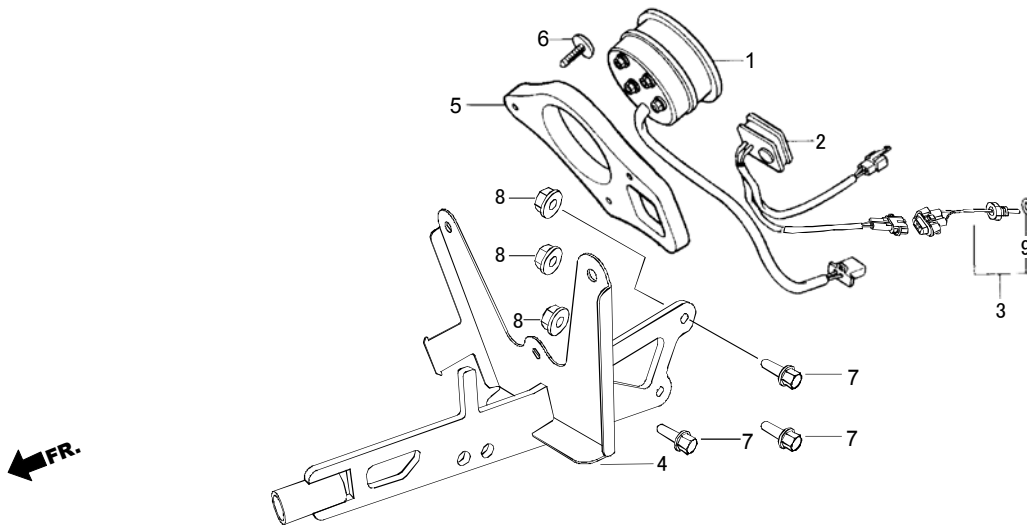
Ref. No.	Part No.	Description	Reqd. QTY	Retail Price
1	06113-KRN-710	GASKET KIT A (COMPONENT PARTS)	1	
	12191-KRN-731	GASKET, CYLINDER	1	
	12251-KRN-731	GASKET, CYLINDER HEAD	1	
	12391-KRN-670	GASKET, HEAD COVER	1	
	14560-MEN-671	GASKET, TENSIONER LIFTER	1	
	28291-MM5-860	GASKET, EX., PIPE	1	
2	06114-KRN-700	WASHER, O-RING KIT A (COMPONENT PARTS)	1	
	12226-MEB-670	SEAL, RING	1	
	90442-397-000	WASHER, SEALING, 6MM	1	
	90543-MV9-670	RUBBER, MOUNTING	2	
	91303-377-000	O-RING, 13.8x2.5	2	

BLOCK No.
EOP-2
GASKET KIT B



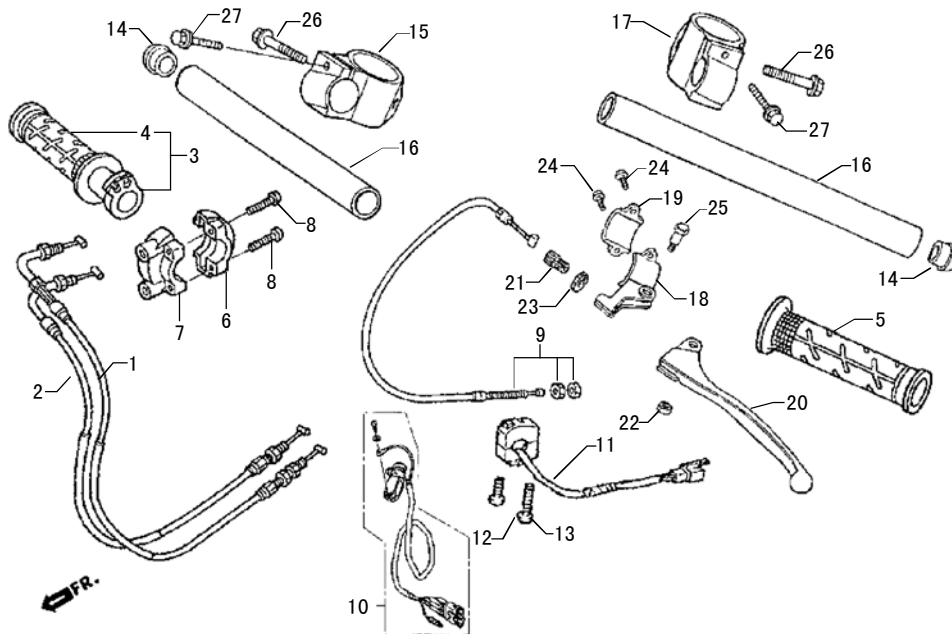
Ref. No.	Part No.	Description	Reqd. QTY
1	06115-KRN-A00	GASKET KIT B (COMPONENT PARTS)	1
	11191-KRN-850	GASKET, CRANKCASE	1
	11352-KRN-671	GASKET, CLUTCH COVER	1
	11394-KRN-A00	GASKET, R. COVER	1
	11395-KRN-670	GASKET, L. COVER	1
	19226-KRN-670	GASKET, WATER PUMP	1
2	06116-KSC-700	WATER O-RING KIT B (COMPONENT PARTS)	1
	90447-KE1-000	WASHER, SEALING, 7MM	2
	90463-ML7-000	WASHER, SEALING, 6.5MM	2
	90474-333-000	WASHER, SEALING, 8MM	2
	90751-GK1-003	O-RING, 8.5x1.7	1
	91301-KSR-A01	D-RING, 22MM	1
	91302-PA9-003	O-RING, 39.8x2.2 (ARAI)	1
	91303-377-000	O-RING, 13.8x2.5	1
	91304-MJ0-003	O-RING, 15.8x2.4 (SHOWA)	1
	91305-KF0-003	O-RING, 27x2 (ARAI)	1
	91307-035-000	O-RING, 18x3	1
	91312-KE7-003	O-RING, 19x3 (NOK)	1
	91307-461-000	O-RING, 11.9x2.2	1

BLOCK No.
F-1
METER,
PANEL



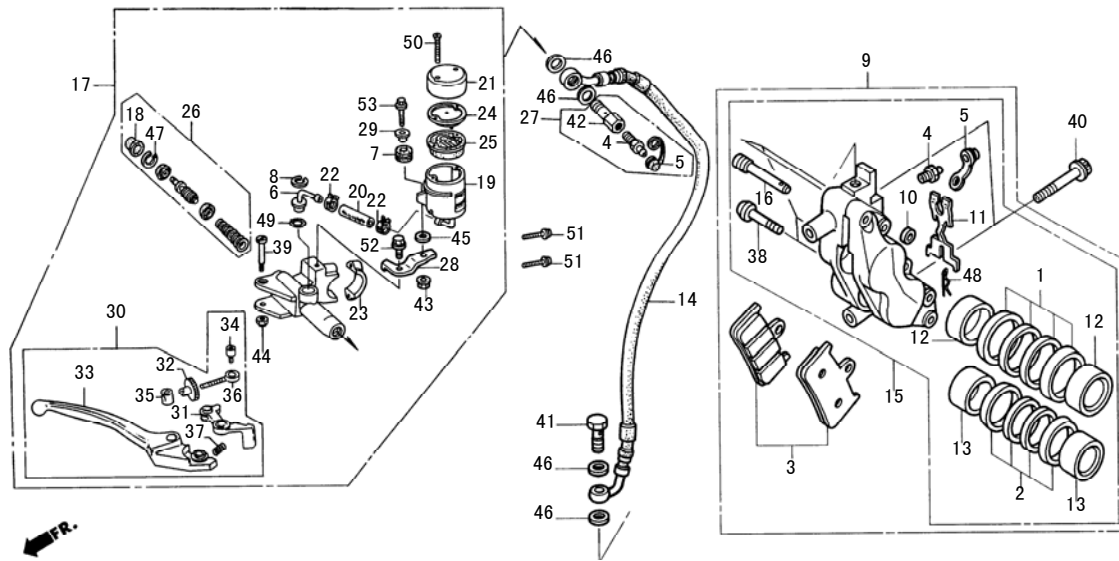
Ref. No.	Part No.	Description	Reqd. QTY	Retail Price
• 1	37250-NX4-731	TACHOMETER ASSY	1	
M 2	37460-10512-00	INDICATOR ASSY., WATER TEMP	1	
M 3	37870-10512-00	SENSOR ASSY., T.W.	1	
M 4	50810-10512-00	STAY COMP., CENTER, FRONT COWL	1	
• 5	50815-NX4-000	PANEL, METER	1	
• 6	50816-NX4-000	CLIP	3	
M 7	96001-0602000	FLANGE BOLT M6x20	3	
M 8	980010-06000	FLANGE LOCK NUT M6	3	
9	91307-PK2-005	O-RING, 1.5x9.5	1	

BLOCK No.
F-2
CABLE • SWITCH •
HANDLE PIPE • THROTTLE



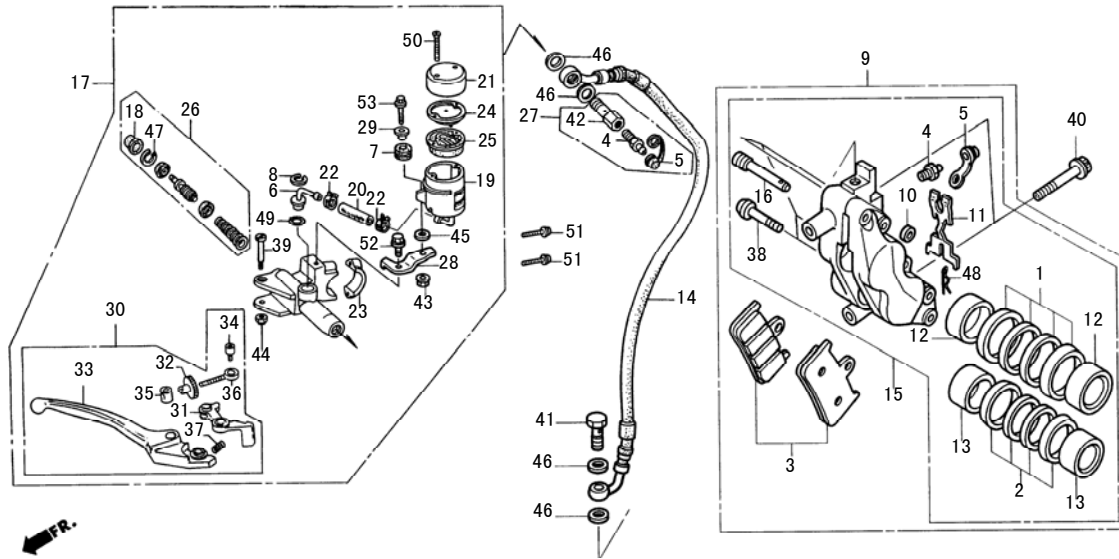
Ref. No.	Part No.	Description	Reqd. QTY	Retail Price
1	17910-MEL-000	CABLE COMP. A, THROTTLE	1	
2	17920-MEL-000	CABLE COMP. B, THROTTLE	1	
3	53140-MCF-000	GRIP ASSY., THROTTLE	1	
4	53165-MY9-890	GRIP, R. HANDLE	1	
5	53166-MY9-890	GRIP, L. HANDLE	1	
6	53167-MV4-000	HOUSING, UPPER THROTTLE	1	
7	53168-MV4-000	HOUSING, UNDER THROTTLE	1	
8	93500-05022-0G	SCREW, PAN 5x22	2	
9	22870-MEE-010	CABLE COMP., CLUTCH	1	
10	35130-KSC-670	SWITCH ASSY., ENGINE STOP	1	
•	11	35130-NL6-000	SW ASSY, ST ENGINE STOP	1
	12	93500-04032-0G	SCREW, PAN 4x32	1
	13	93500-04045-0G	SCREW, PAN 4x45	1
M	14	53105-20158-00	CAP, HANDLE PIPE	2
•	15	53110-NX4-000	HOLDER, R. HANDLE	1
M	16	53115-10512-00	PIPE, HANDLE	2
•	17	53120-NX4-000	HOLDER, L. HANDLE	1
	18	53172-430-003	BRACKET, L. HANDLE LEVER	1
	19	53173-376-000	HOLDER, LEVER BRACKET	1
	20	53178-399-700	LEVER, L. STEERING HANDLE	1
	21	53192-MEE-000	BOLT, CABLE ADJUST	1
•	22	90302-NX5-000	U-NUT, HEX., 6MM	1
	23	90321-MEE-000	NUT, LOCK	1
	24	93500-05016-0A	SCREW, PAN 5x16	2
	25	90114-310-000	BOLT, HANDLE LEVER PIVOT	1
	26	95801-08030-00	BOLT, FLANGE, 8x30	2
	27	96001-06022-00	BOLT, FLANGE, SH, 6x22	2

BLOCK No.
F-3
FRONT BRAKE CALIPER
FRONT BRAKE MASTER CYLINDER



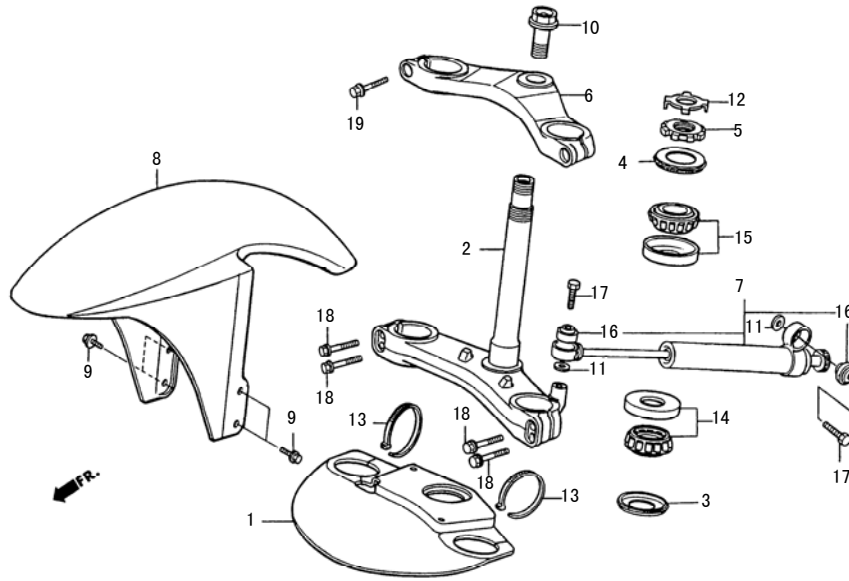
Ref. No.	Part No.	Description	Reqd. QTY	Retail Price
• 1	06451-NX4-860	SEAL SET, PISTON 34	1	
• 2	06452-NX4-860	SEAL SET, PISTON 30	1	
• 3	06455-NX4-860	PAD SET, FR	1	
• 4	43352-568-003	SCREW, BLEEDER	2	
• 5	43353-461-771	CAP, BLEEDER	2	
• 6	43503-KS6-701	CONNECTOR	1	
• 7	43516-HA2-000	RUBBER, OIL CUP MOUNT	1	
• 8	43517-KS6-701	CIRCLIP, REAR MASTER CYLINDER	1	
• 9	45100-NX4-861	CALIPER ASSY., R. FRONT	1	
• 10	45103-MR7-006	SEAL, JOINT	1	
• 11	45106-NX4-860	SPRING, PAD	1	
• 12	45107-NX4-860	PISTON, B	2	
• 13	45117-MR7-006	PISTON, A	2	
• 14	45125-NX4-861	HOSE, FRONT BRAKE	1	
• 15	45150-NX4-860	CALIPER SUB ASSY., R. FR	1	
• 16	45215-NX4-860	PIN, HANGER	1	
• 17	45500-NX4-861	MASTER CYLINDER ASSY., FRONT BRAKE	1	
• 18	45504-410-003	BOOT COMP	1	
• 19	45511-KV3-016	OIL CUP COMP	1	
• 20	45512-NX4-861	HOSE, MASTER CYLINDER OIL CUP	1	
• 21	45513-KV3-006	CAP, OIL CUP	1	
• 22	45514-KV3-006	CLAMP, MASTER CYLINDER OIL HOSE	2	
• 23	45517-166-006	HOLDER, MASTER CYLINDER	1	
• 24	45518-KV3-006	PLATE, DIAPHRAGM	1	
• 25	45520-KV3-006	DIAPHRAGM	1	
• 26	45530-471-831	CYLINDER SET, MASTER	1	
• 27	45530-NF4-650	BOLT ASSY., OIL BLEEDER	1	
• 28	45550-NX4-860	STAY, MASTER CYLINDER CUP	1	
• 29	50324-425-010	COLLAR, 6.3x13	1	

BLOCK No.
F-3
FRONT BRAKE CALIPER
FRONT BRAKE MASTER CYLINDER



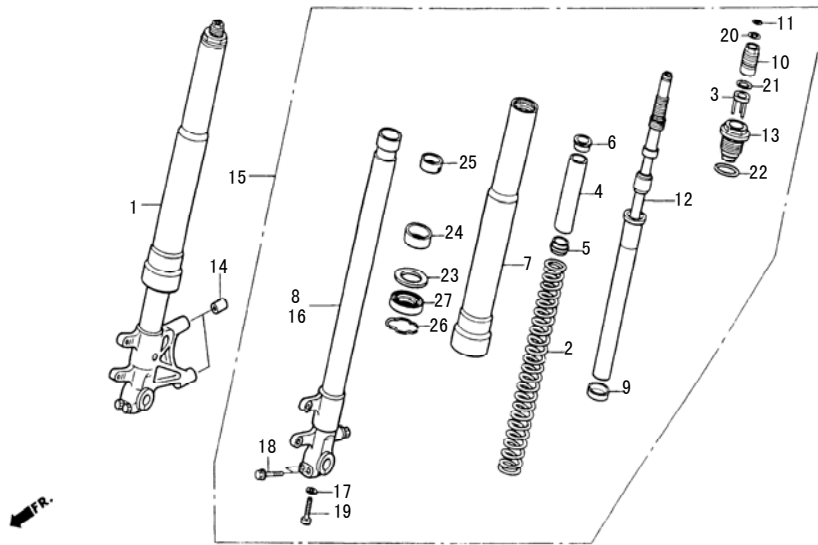
Ref. No.	Part No.	Description	Reqd. QTY	Retail Price
30	53170-MW0-006	LEVER ASSY., R. HANDLE	1	
▪ 31	53171-MW0-006	KNOCKER, MASTER CYLINDER	1	
32	53172-KV0-006	ADJUSTER, HANDLE LEVER R.	1	
▪ 33	53175-MW0-006	LEVER, HANDLE R.	1	
34	53177-KV0-006	BOLT, LEVER SOCKET, 5x5	1	
35	53179-KV0-006	JOINT, LEVER	1	
36	53180-KV0-006	BOLT, ADJUST	1	
37	53181-KV0-006	SPRING, HANDLE LEVER	1	
▪ 38	90107-NX4-860	BOLT, TORX 8x38	4	
39	90114-MA5-671	BOLT, HANDLE LEVER	1	
▪ 40	90131-NX4-860	BOLT, FLANGE, 10x75	2	
41	90145-MS9-612	OIL BOLT, 10x22	1	
▪ 42	90145-NF4-650	BOLT, OIL BLEEDER	1	
43	90301-MG3-000	U-NUT 6mm	1	
▪ 44	90302-NX5-000	U-NUT, HEX., 6mm	1	
45	90473-147-000	WASHER, 6x16	1	
46	90601-ZE1-000	WASHER, 10MM	4	
47	90651-MA5-671	CIRCLIP	1	
▪ 48	90701-NX4-860	PIN, LOCK	1	
49	91212-422-006	O-RING, 14.8x2.4	1	
50	93600-04050-1G	SCREW, FLAT, 4x50	2	
51	95801-06025-00	BOLT, FLANGE, 6x25	2	
52	96300-06012-07	BOLT, FLANGE, 6x12	1	
53	96300-06028-07	BOLT, FLANGE, 6x28	1	

BLOCK No.
F-4
STEERING STEM-
FENDER, FRONT-
STEERING DAMPER



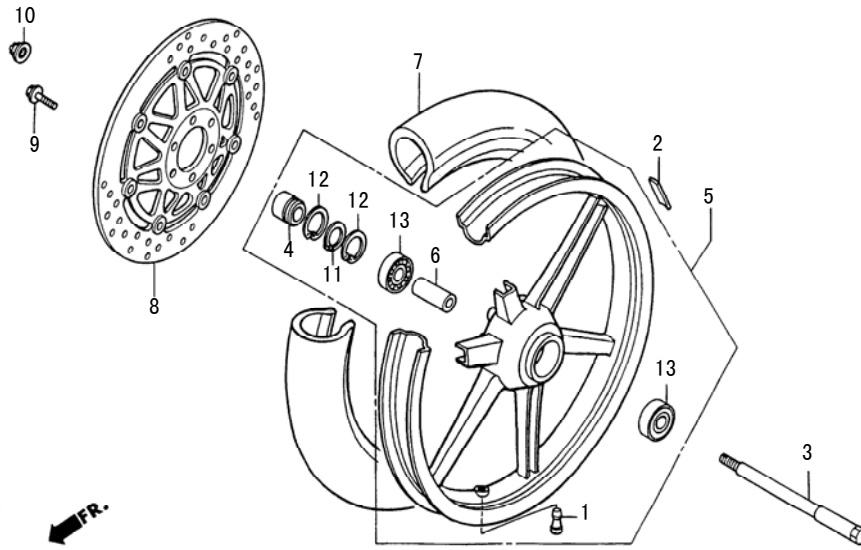
Ref. No.	Part No.	Description	Reqd. QTY	Retail Price
•	1	50820-NX4-000	COVER, STEERING UNDER	1
M	2	53200-10512-000	STEM COMP., STEERING, 32.5	1
M		53200-10512-610	STEM COMP., STEERING, 30	(1)
	3	53214-KZ4-701	DUST-SEAL, STEERING HEAD	1
	4	53214-430-003	DUST-SEAL, STEERING HEAD	1
•	5	53229-NX4-000	THREAD, STEERING	1
•	6	53230-NX4-000	BRIDGE, FORK TOP, 32.5	1
•		53230-NX4-610	BRIDGE, FORK TOP, 30	1
•	7	53700-NF4-900	DAMPER ASSY., STEERING	1
M	8	61100-10512-00	FENDER, FRONT	1
	9	90108-GK1-000	BOLT, FLANGE, SH, 6x12	4
•	10	90303-NX4-000	BOLT, STEERING STEM	1
	11	94102-08000	WASHER, 8MM	2
•	12	90506-NX4-000	STOPPER, STEERING THREAD	1
M	13	90650-35290-00	BAND, SELF LOCK 3.5x290	2
	14	91015-KZ4-701	BEARING, HEAD PIPE	1
	15	91015-425-831	BEARING, HEAD PIPE UP	1
	16	91060-NL0-003	BEARING, SPHERICAL, 8MM	2
M	17	90140-08025-41	BOLT, FLANGE CAP, 8x25	2
	18	95801-08028-00	BOLT, FLANGE, 8x28	4
	19	95801-08032-00	BOLT, FLANGE, 8x32	2

BLOCK No.
F-5
FRONT FORK



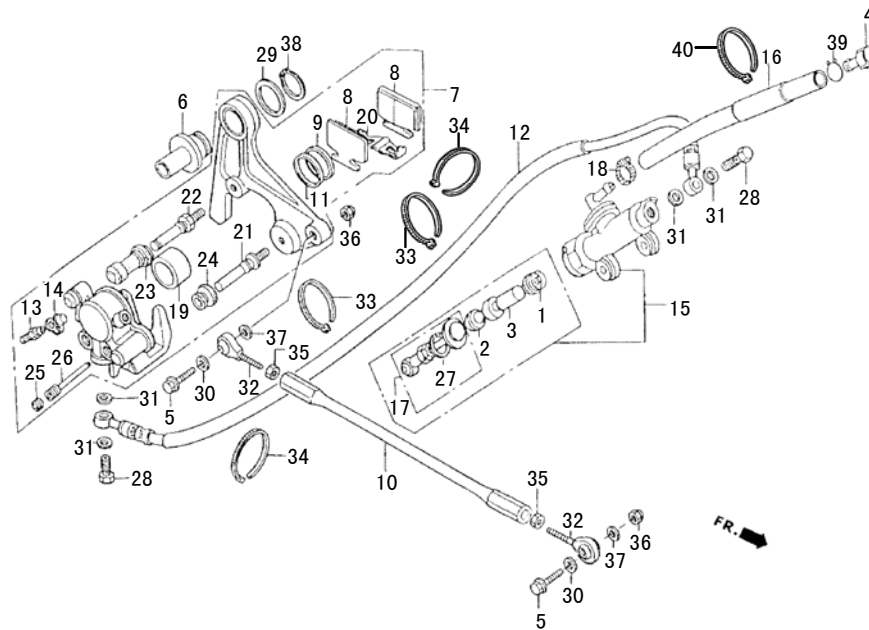
Ref. No.	Part No.	Description	Reqd. QTY	Retail Price
• 1	51400-NX4-861	FORK ASSY., R. FRONT	1	
• 2	51401-NX4-003	SPRING, FRONT FORK	2	K=0.6
•	51402-NX4-003	SPRING, FRONT FORK H	(2)	K=0.65
•	51403-NX4-003	SPRING, FRONT FORK S	(2)	K=0.5
• 3	51404-NF5-611	PLATE COMP., SPRING ADJUST	2	
• 4	51404-NX4-003	COLLAR, SPRING	2	
• 5	51405-NX4-003	PLATE, SPRING JOINT	2	
• 6	51406-NX4-003	STOPPER, SPRING SEAT	2	
• 7	51410-NX4-861	TUBE, OUTER	2	
• 8	51420-NX4-861	PIPE COMP., R. SLIDE	1	
• 9	51421-MW4-003	PLATE, CENTERING	2	
• 10	51422-NF5-611	ADJUSTER, SPRING	2	
• 11	51423-NF5-611	RING B, STOPPER	2	
• 12	51430-NX4-861	DAMPER COMP., FRONT	2	
• 13	51454-NX4-003	BOLT, FRONT FORK	2	
• 14	51497-MEL-000	SPACER, FR. FORK	2	
• 15	51500-NX4-861	FORK ASSY., L. FRONT	1	
• 16	51520-NX4-861	PIPE COMP., L. SLIDE	1	
• 17	52442-KA3-711	WASHER, SPECIAL, 10MM	2	
• 18	90107-KF0-000	BOLT, FLANGE, DR, 8x40	4	
• 19	90126-MR7-003	BOLT, SOCKET, 10x35	2	
• 20	91311-MR7-003	O-RING, 13.8x2.4	2	
• 21	91351-NF5-611	O-RING, 23.7x2.4	2	
• 22	91356-KA4-711	O-RING, 35.2x2.4	2	
• 23	51412-422-003	RING, BACK UP	2	
• 24	51414-NX4-701	BUSH, GUIDE	2	
• 25	51415-NX4-701	BUSH, SLIDE	2	
• 26	51447-KL4-951	RING, OIL SEAL STOP	2	
• 27	91255-NX4-771	SEAL, OIL 35x48x11	2	

BLOCK No.
F-6
FRONT WHEEL



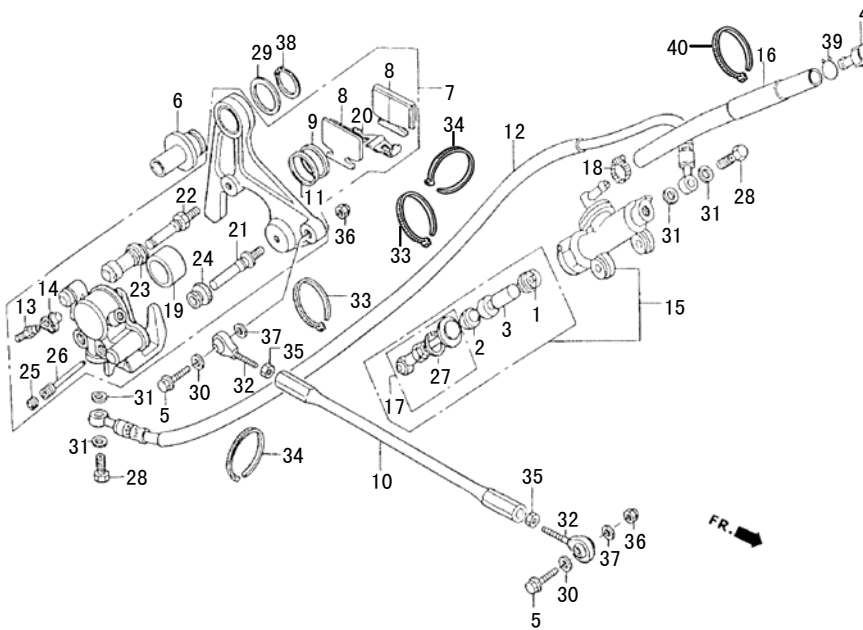
Ref. No.	Part No.	Description	Reqd. QTY	Retail Price
• 1	42704-NF5-710	VALVE, WHEEL	1	AL
	42753-ML7-004	VALVE, RIM(BS)	1	
• 2	42720-NC8-000	WEIGHT, BALANCER, 10G	N	
•	42721-NC8-000	WEIGHT, BALANCER, 20G	N	
• 3	44301-NX4-000	AXLE, FRONT WHEEL	1	
• 4	44303-NF4-000	COLLAR, FRONT WHEEL SIDE	1	
• 5	44600-NX4-306	WHEEL SET, FRONT (2.50x17)	1	BLACK
• 6	44620-NF4-000	COLLAR, FRONT WHEEL DISTANCE	1	
• 7		TIRE, FRONT (95/70-R17)(DL)	1	
• 8	45120-NX4-681	DISK COMP., R. FRONT BRAKE	1	SUS (STEEL)
• 9	90003-MB2-000	BOLT, FLANGE 6x20	6	
•	90113-ND5-761	BOLT, FLANGE 6x20	6	WIRE LOCK
• 10	90305-GE8-003	U-NUT, 14MM	1	
• 11	90651-NF4-000	CIRCLIP, EXTERNAL 26	1	
• 12	90652-NF4-000	CIRCLIP, INTERNAL 35	2	
• 13	96140-62020-10	BEARING, BALL, RADIAL, 6202U	2	

BLOCK No.
F-7
REAR CALIPER-
REAR BRAKE MASTER CYLINDER



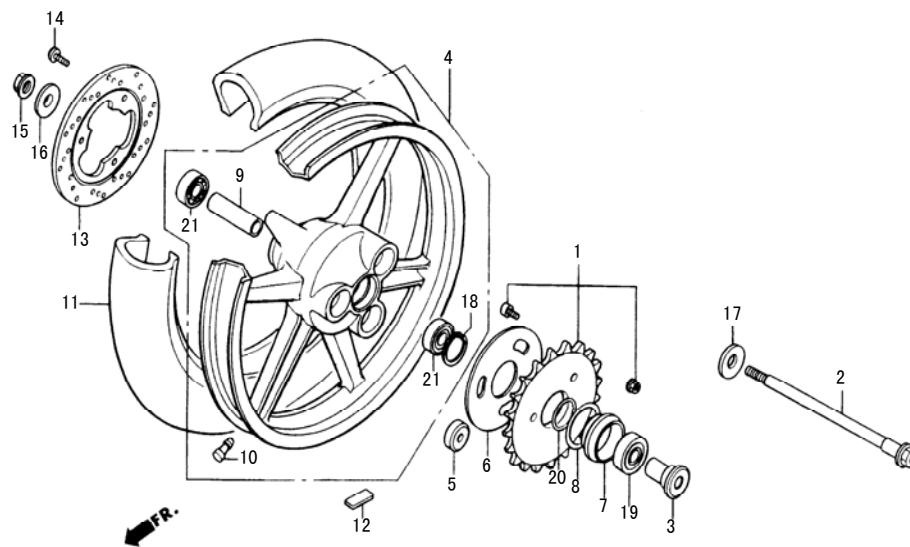
Ref. No.	Part No.	Description	Reqd. QTY	Retail Price
• 1	04601-ND5-760	CUP, PRIMARY	1	
• 2	04602-ND5-760	CUP, SECONDARY	1	
• 3	04603-NF4-770	PISTON, REAR	1	
4	17370-419-700	PLUG, BREATHER TUBE	1	
5	95801-08035-00	BOLT, FLANGE, 8x35	2	
• 6	42305-NX4-000	COLLAR, CALIPER BRACKET	1	
• 7	43100-NF5-611	CALIPER ASSY., REAR	1	
• 8	43105-NF5-611	PAD COMP	2	
9	43109-MA3-006	DUST SEAL	1	
M 10	43111-10512-00	ROD, REAR BRAKE TORQUE	1	
11	43209-MA3-006	SEAL, PISTON	1	
• 12	43310-NX4-003	HOSE, REAR BRAKE	1	
13	43352-568-003	SCREW, BLEEDER	1	
14	43353-461-771	CAP, BLEEDER	1	
• 15	43500-NF4-770	MASTER CYLINDER ASSY., REAR	1	
• 16	43503-NX4-000	V-TUBE, 9x13x275	1	
• 17	43504-NF4-770	ROD ASSY	1	
• 18	43541-ND5-750	CLAMP	1	
19	45107-GM9-711	PISTON	1	
20	45108-GM9-741	PAD SPRING	1	
21	45131-HA5-672	PIN, BOLT, A	1	
22	45131-166-016	PIN, BOLT	1	
23	45132-166-016	BUSH, PIN	1	
24	45133-MA3-006	BOOT, B	1	
25	45203-MG3-016	PLUG, PIN	2	

BLOCK No.
F-7
REAR CALIPER
REAR BRAKE MASTER CYLINDER



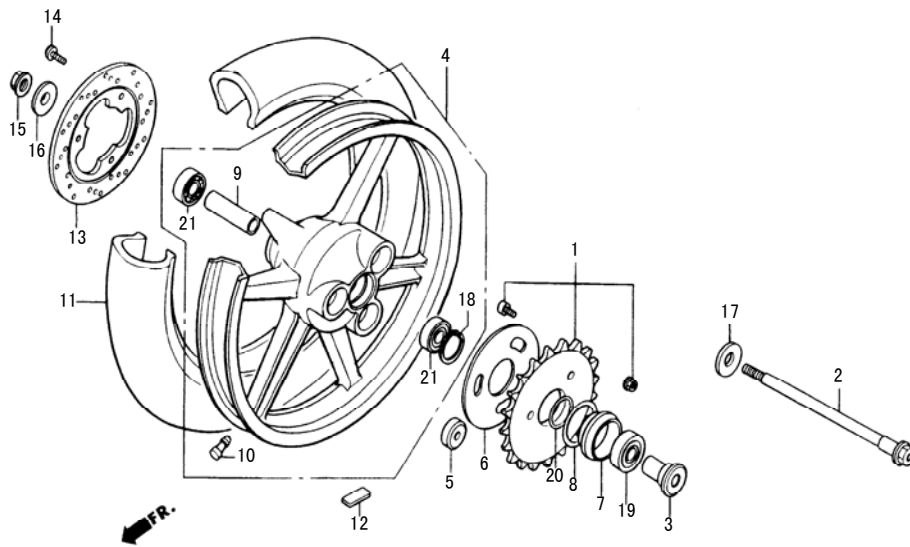
Ref. No.	Part No.	Description	Reqd. QTY	Retail Price
26	45215-GE2-016	HANGER PIN	2	
27	46182-500-013	CIRCLIP, MASTER CYLINDER	1	
28	90145-MS9-612	OIL BOLT, 10x22	2	
29	90475-425-000	WASHER, THRUST, 30MM	1	
30	90485-GB4-790	WASHER, 8MM	2	
31	90601-ZE1-000	WASHER, 10MM	4	
32	91048-NX4-710	ROD END, 8MM	2	
M 33	90650-35150-10	BAND, SELF LOCK 3.5x150 BK	3	
M 34	90650-35150-00	BAND, SELF LOCK 3.5x150 WT	3	
35	94002-08000-0S	NUT, HEX, 8MM	2	
36	94050-08000	NUT, FLANGE, 8MM	2	
37	94102-08000	WASHER, PLAIN, 8MM	2	
38	94510-30000	CIRCLIP, EXTERNAL, 30	1	
39	95002-02120	CLIP, B12 TUBE	1	
M 40	90650-25100-00	BAND, SELF LOCK 2.5x100 WT	1	

BLOCK No.
F-8
REAR WHEEL



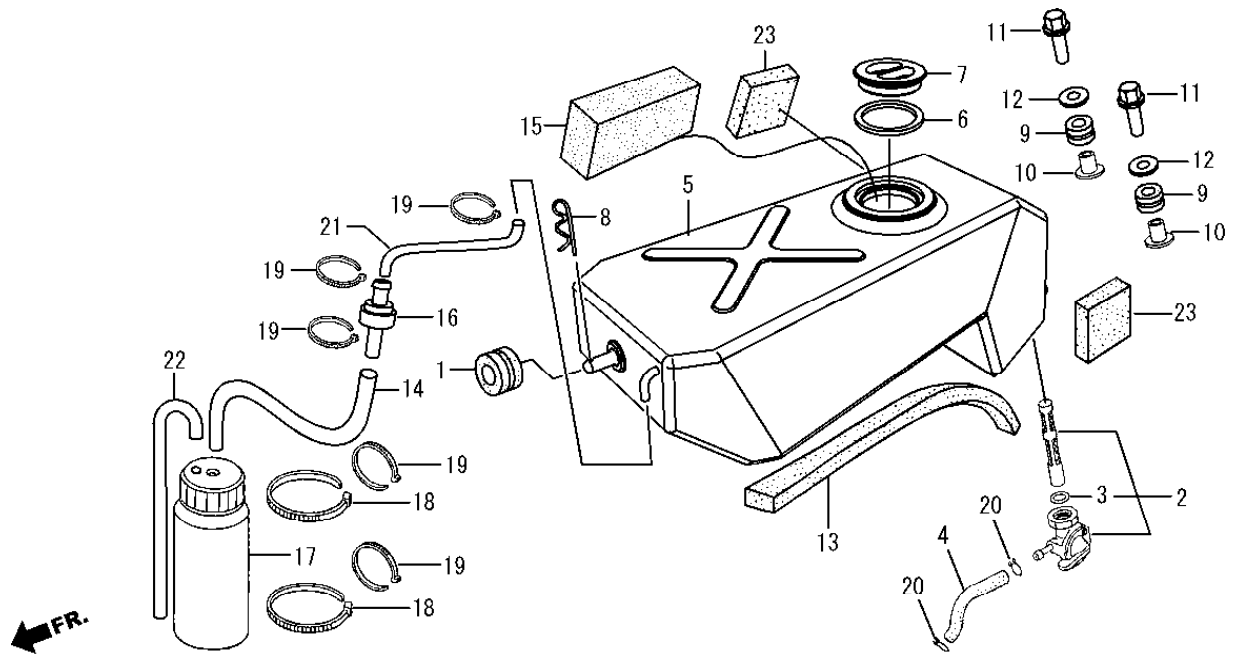
Ref. No.	Part No.	Description	Reqd. QTY	Retail Price
• 1	41102-NX4-770	SPROCKET ASSY., FINAL DRIVEN 32T	(1)	
•	41103-NX4-770	SPROCKET ASSY., FINAL DRIVEN 33T	(1)	
•	41104-NX4-770	SPROCKET ASSY., FINAL DRIVEN 34T	(1)	
•	41105-NX4-770	SPROCKET ASSY., FINAL DRIVEN 35T	(1)	
•	41106-NX4-770	SPROCKET ASSY., FINAL DRIVEN 36T	1	
•	41107-NX4-770	SPROCKET ASSY., FINAL DRIVEN 37T	(1)	
•	41108-NX4-770	SPROCKET ASSY., FINAL DRIVEN 38T	(1)	
•	41109-NX4-770	SPROCKET ASSY., FINAL DRIVEN 39T	(1)	
•	41110-NX4-770	SPROCKET ASSY., FINAL DRIVEN 40T	(1)	
• 2	42301-NX4-000	AXLE, REAR WHEEL	1	
• 3	42304-NX4-000	COLLAR, REAR WHEEL SIDE	1	
• 4	42600-NX4-306	WHEEL SET, REAR (3.50x17)	1	BLACK
• 5	42615-ND5-750	RUBBER, REAR WHEEL DAMPER	3	
• 6	42616-NF4-000	WASHER, SPROCKET	1	
• 7	42617-NF4-770	COLLER, SPROCKET	1	
• 8	42618-NF4-000	WASHER, COLLER SPROCKET 0.2	1	
•	42619-NF4-000	WASHER, COLLER SPROCKET 0.3	1	
• 9	42620-NX4-000	COLLER, REAR WHEEL DISTANCE	1	
• 10	42704-NF5-710	VALVE, WHEEL	1	AL
	42753-ML7-003	VALVE, RIM (BS)	1	
11		TIRE REAR (115/70R17)(DL)	1	
• 12	42720-NC8-000	WEIGHT, BALANCE, 10G	N	
•	42721-NC8-000	WEIGHT, BALANCE, 20G	N	
• 13	43122-NF5-760	DISK, BRAKE	1	SUS (STEEL)
14	90105-KR3-000	BOLT, FRONT DISK, 8x24	3	
15	90305-GE8-003	U-NUT, 14MM	1	

BLOCK No.
F-8
REAR WHEEL



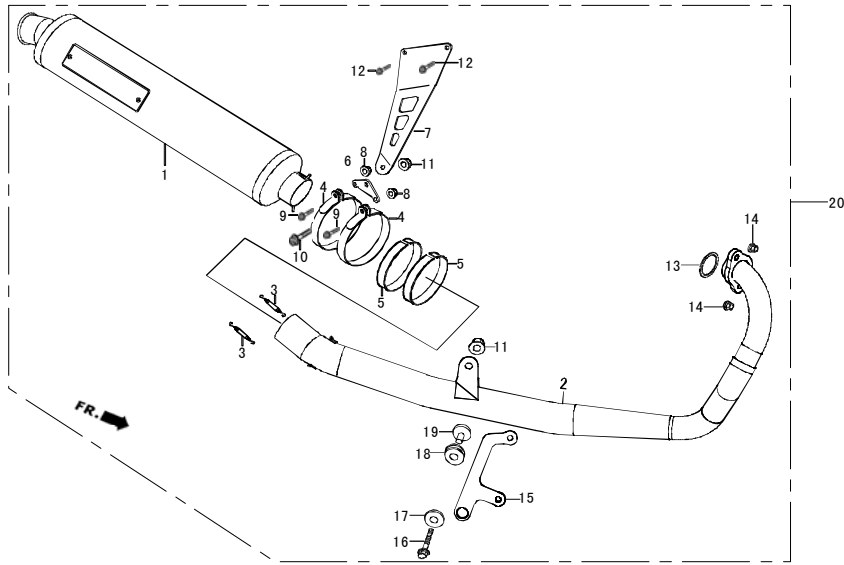
Ref. No.	Part No.	Description	Reqd. QTY	Retail Price
• 16	90411-NX4-000	WASHER, 14x32x1	1	
• 17	90456-NX4-000	WASHER, 18x32x1	1	
• 18	90652-NF4-000	CIRCLIP, INTERNAL 35	1	
• 19	91052-NF4-000	BEARING, BALL, RADIAL, 6904UU	1	
20	91357-964-006	O-RING, 31	1	
21	96140-62020-10	BEARING, BALL, RADIAL, 6202U	2	

BLOCK No.
F-9
FUEL TANK



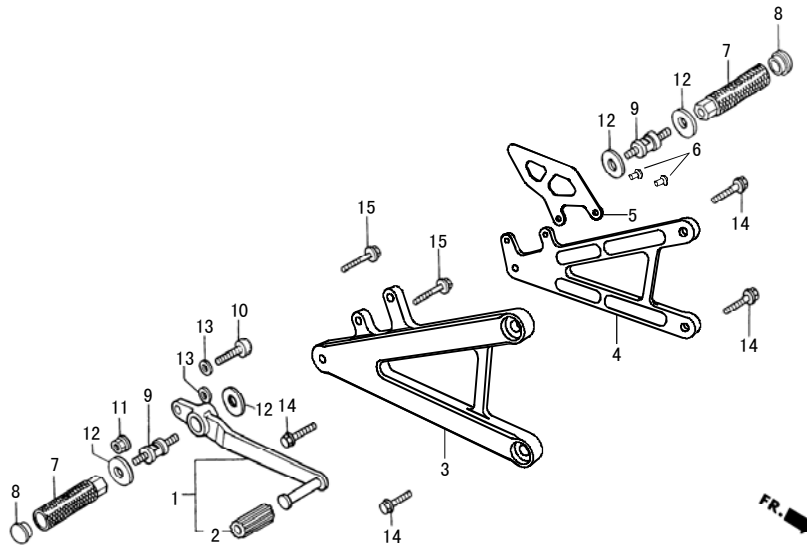
Ref. No.	Part No.	Description	Reqd. QTY	Retail Price
	1	18334-KA3-830	GROMMET, RUBBER	1
•	2	16950-NF5-003	VALVE ASSY., FUEL	1
	3	16958-MA1-731	O-RING, 10x1.3	1
	4	17681-KRN-000	TUBE, FUEL	1
M	5	17520-10512-00	TANK COMP., FUEL	1
•	6	17515-NX5-770	PACKING, FUEL CAP	1
M	7	17511-10172-00	CAP, FUEL TANK	1
	8	94252-10100	PIN, LOCK, 10	1
	9	19051-KA3-830	RUBBER, RADIATOR MOUNTING	2
	10	19052-MAC-680	COLLAR, RADIATOR MOUNTING	2
	11	96001-0602800	BOLT, FLANGE 6x28	2
	12	970-006-0201	WASHER 6MM	2
M	13	50283-10512-10	TAPE, INTERFERENCE, 30x10x430	2
M	14	17522-10512-00	VINYL-TUBE, 5x8x270	1
•	15	17522-NF5-690	SPONGE, BAFFLE	4
•	16	17625-NF4-003	VALVE COMP., CHECK	1
M	17	19602-NF4-810	TANK, CATCH 250	1
M	18	90650-35290-00	BAND, SELF LOCK 3.5x290 WT	2
M	19	90650-25100-00	BAND, SELF LOCK 2.5x100 WT	7
	20	95002-02120	CLIP, B12 TUBE	2
M	21	17522-10512-00	VINYL-TUBE, 5x8x400	1
M	22	17522-10512-00	VINYL-TUBE, 5x8x320	1
M	23	50283-10512-20	SPONGE, FUEL TANK, 10x80x80 GY	2

BLOCK No.
F-10
EXHAUST MUFFLER



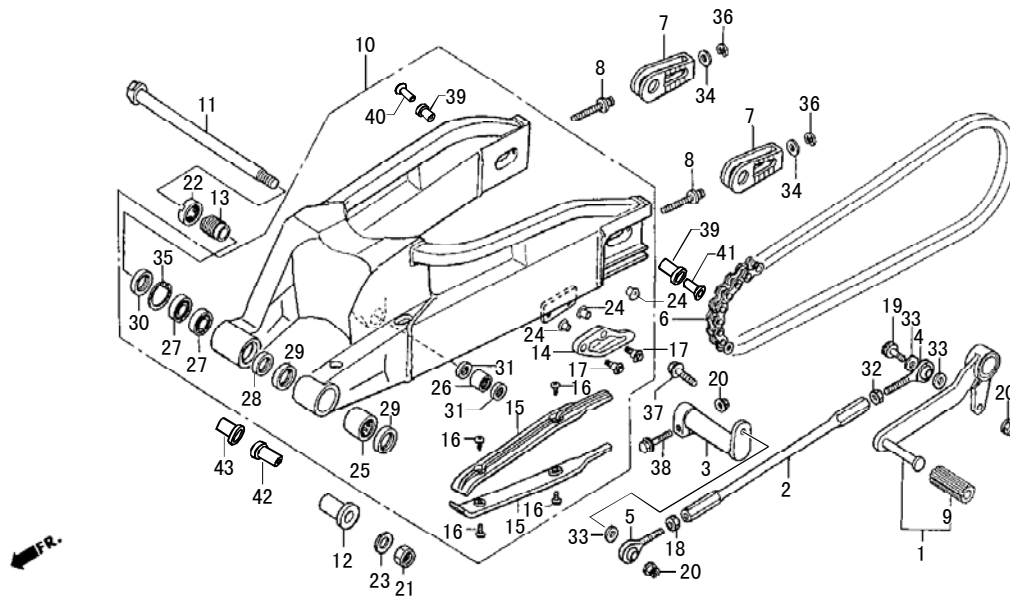
Ref. No.	Part No.	Description	Reqd. QTY	Retail Price
M 1	18910-J3512-00	SILENCER ASSY,	1	
M 2	18110-J3512-00	PIPE. COMP., EX,	1	
M 3	0A02-08709-KK21	SPRING, LONG	2	
M 4	18931-L3168-00	BAND, SILENCER	2	
M 5	18932-LK168-00	RUBBER, BAND, SILENCER	2	
M 6	18940-L3158-10	SILENCER, BAND STAY,	1	
M 7	18950-J3512-00	STAY, SILENCER	1	
M 8	2100-060000010	NUT, FLANGE 6	2	
M 9	1261-060200210	BOLT, FLANGE CAP 6x20	2	
M 10	1261-080200410	BOLT, FLANGE CAP 8x20	2	
M 11	2100-080000010	NUT, FLANGE 8	2	
M 12	1261-060150210	BOLT, FLANGE CAP 6x15	2	
	13 18291-MM5-860	GASKET, EX. PIPE	1	
M 14	94050-08000	NUT, FLANGE 8	2	
M 15	18240-J3512-00	SUBSTAY, TAILPIPE	1	
M 16	973010-08030	BOLT, FLANGE 8x30	1	
M 17	990002-08000	WASHER, 8x25xt1.5	1	
M 18	0312-17250-DR00	GROMMET, RUBBER	1	
M 19	0312-11250-F010	GROMMET, COLLER	1	
M 20	01810-10512-00	MUFFLER, COMP.	1	

BLOCK No.
F-11
BRAKE PEDAL-STEP ARM



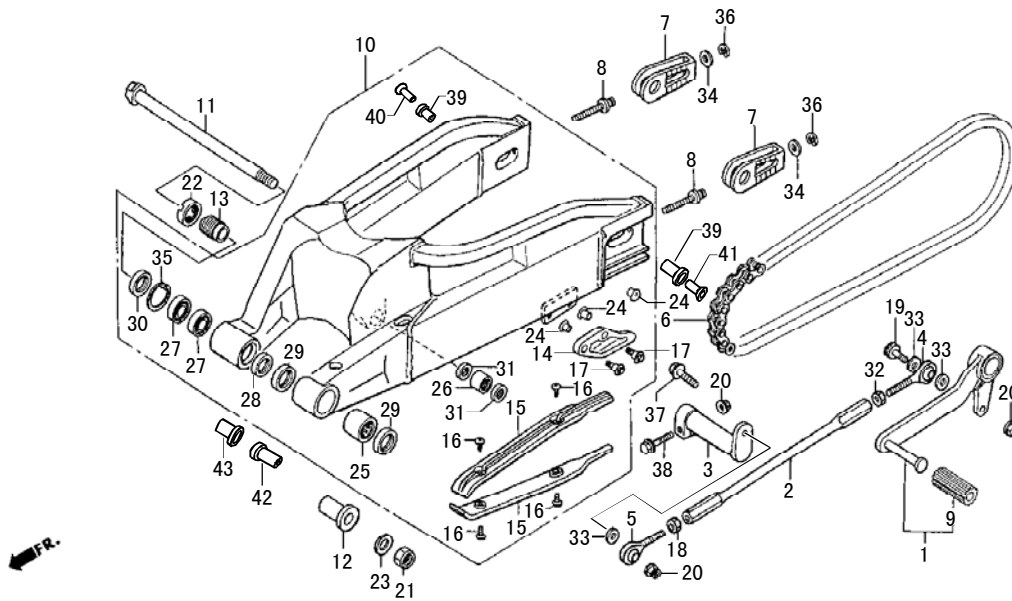
Ref. No.	Part No.	Description	Reqd. QTY	Retail Price
▪	1	46500-NF4-780	PEDAL COMP., BRAKE	1
▪	2	46501-ND4-750	RUBBER, PEDAL	1
M	3	50600-10512-00	HOLDER STEP, R.	1
M	4	50700-10512-00	HOLDER STEP, L.	1
M	5	50707-10512-00	GUARD, L. STEP	1
M	6	BB06010U	BOLT, CAP	2
▪	7	50610-NL5-760	ARM, STEP	2
▪	8	50612-NL5-760	END, STEP, ARM	2
▪	9	50643-NX4-770	BOSS, PEDAL, PIVOT	2
▪	10	90211-NX4-771	BOLT, 6x25	1
	11	90301-473-003	U-NUT, 6mm	1
	12	90504-MA6-000	WASHER, 8.5x26	4
	13	94101-06000	WASHER, PLAIN, 6MM	2
	14	95701-08020-00	BOLT, FLANGE 8x20	4
	15	95701-06020-00	BOLT, FLANGE 6x20	2

BLOCK No.
F-12
CHANGE PEDAL-
REAR SWING ARM



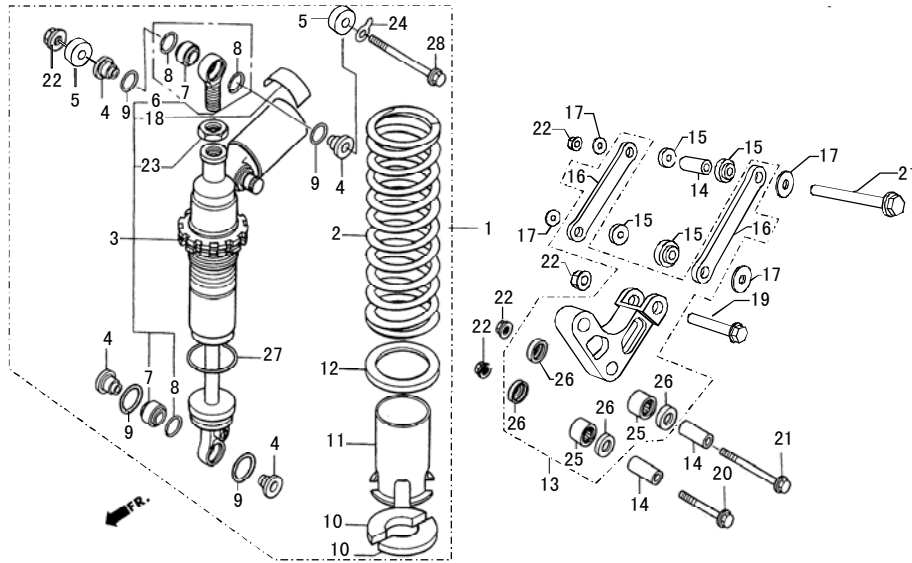
Ref. No.	Part No.	Description	Reqd. QTY	Retail Price
•	1	24700-NF4-780	PEDAL COMP., CHANGE	1
M	2	24706-10512-00	ROD, CHANGE	1
•	3	24710-NX4-000	ARM, GEAR CHANGE	1
•	4	24711-NX4-710	ROD, END, 6MM A	1
•	5	24712-NX4-710	ROD, END, 6MM B	1
	6		CHAIN, DRIVE (DID:415ER-120)	1
•	7	40543-NX4-000	ADJUSTER, CHAIN	2
•	8	40545-NX4-000	BOLT, CHAIN ADJUSTER	2
•	9	46501-ND4-750	RUBBER, PEDAL	1
M	10	52200-10512-00	SWING ARM ASSY.	1
•	11	52101-NX4-680	BOLT, SWING ARM PIVOT	1
•	12	52106-NX4-000	COLLAR B, PIVOT	1
•	13	52109-NX4-000	BOLT, ADJUST PIVOT	1
	14	52156-GAN-670	GUARD CHAIN	1
•	15	52170-NX4-000	SLIDER, CHAIN	2
	16	90101-692-000	SCREW, TRUSS	4
	17	90110-GE0-710	BOLT, FLANGE, 6MM	2
	18	90201-KV3-700	NUT, TIE ROD B	1
•	19	90211-NX4-771	BOLT SOCKET, 6x25	1
	20	90301-473-003	U-NUT, 6MM	3
	21	90305-KZ4-891	U-NUT, 18MM	1
•	22	90355-NX4-000	NUT, SWING ARM PIVOT	1
	23	90401-KZ4-890	WASHER, 18x32x2	1
	24	90522-028-000	WASHER, CHAIN CASE SETTING	3
	25	91071-MR7-003	BEARING, NEEDLE	1
	26	91071-MY1-005	BEARING, NEEDLE, 17x24x17	1
	27	91072-MR7-003	BEARING, BALL RADIAL, 20x37x9	2
M	28	91202-10512-00	DUST SEAL, 26x33x4	1
	29	91202-MR7-003	DUST SEAL, 28x37x4	2

BLOCK No.
F-12
CHANGE PEDAL -
REAR SWING ARM



Ref. No.	Part No.	Description	Reqd. QTY	Retail Price
	30	91214-MR7-003	DUST SEAL, 26x37x5	1
	31	91262-KV3-831	DUST SEAL, 17x24x5	2
	32	94001-062000S	NUT, HEX, 6MM	1
	33	94101-06000	WASHER, PLAIN, 6MM	3
	34	94102-08000	WASHER, PLAIN, 8MM	2
	35	94520-37000	CIRCLIP, INTERNAL 37	1
	36	94540-07029	E-RING, 7	2
	37	96001-06022-00	BOLT, FLANGE, SH, 6x22	1
	38	96001-06028-00	BOLT, FLANGE, SH, 6x28	1
M	39	0312-06221-9400	COLLAR, STAND HOOK	2
M	40	974000-06040	BOLT, TAPER CAP 6x40	1
M	41	974000-06045	BOLT, TAPER CAP 6x45	1
M	42	52202-10512-00	COLLAR, DISTANCE., SWING ARM	1
M	43	52203-10512-00	COLLAR, DISTANCE., SWING ARM	1

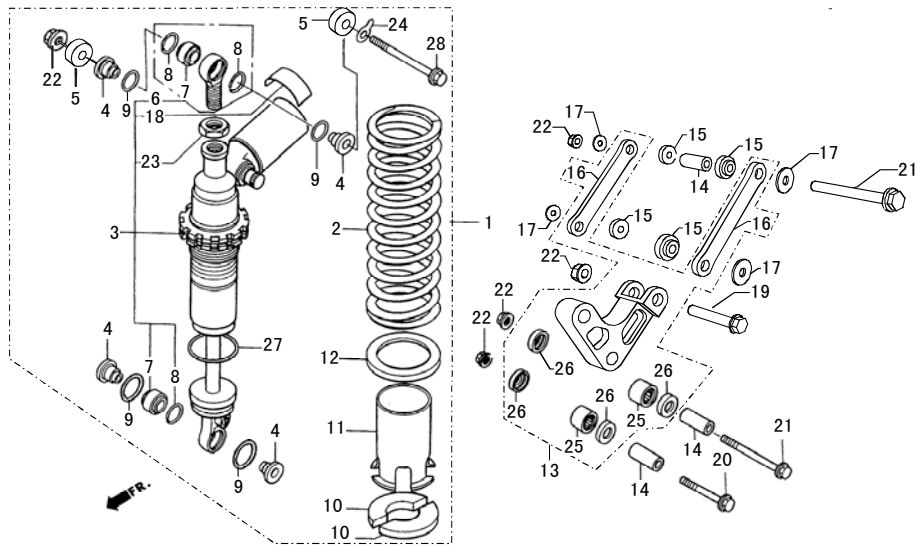
BLOCK No.
F-13
REAR CUSHION



Ref. No.	Part No.	Description	Reqd. QTY	Retail Price
•	1	52400-NX4-811 CUSHION ASSY, REAR	1	
•	2	52401-NX4-003 SPRING, REAR CUSHION K=8.0	1	*YELLOW
•		52402-NX4-003 SPRING, REAR CUSHION H K=8.5	(1)	*RED
•		52403-NX4-003 SPRING, REAR CUSHION S K=7.5	(1)	*BLUE
•		52404-NX4-701 SPRING, REAR CUSHION K=7.0	(1)	*GREEN
•		52405-NX4-701 SPRING, REAR CUSHION K=6.5	(1)	*BLACK
•	3	52410-NX4-811 DAMPER COMP, REAR	1	
•	4	52411-NX4-003 COLLAR, DAMPER UP	4	
M	5	52415-10512-00 COLLAR	2	
•	6	52420-NX4-003 JOINT COMP, UPPER		
•	7	52422-NF5-952 BEARING, SPHERICAL	2	
•	8	52424-GC4-831 RING, STOPPER	3	
•	9	91309-MB0-003 O-RING 14.6x3.7	4	
•	10	52455-NF4-781 STOPPER, SPRING SEAT	2	
•	11	52458-NX4-003 GUIDE, SPRING	1	
•	12	52459-NX4-003 SEAT, SPRING	1	
M	13	52460-10512-00 ROD ASSY, CUSHION	1	
		52460-10512-01 ROD ASSY, CUSHION M-03	1	
•	14	52465-NX4-000 COLLAR, CUSHION ARM	3	
M	15	52476-10512-00 COLLAR, CUSHION ARM	4	
M	16	52475-10512-10 PLATE, CUSHION ARM	2	
M		52475-10512-20 PLATE, CUSHION ARM M-03	2	
M	17	030A-103020100 WASHER, 10x30xt2	4	
	18	87516-KS7-832 LABEL, REAR DAMPER	1	
	19	96400-1005000 BOLT, FLANGE 10x50	1	
	20	96400-1005500 BOLT, FLANGE 10x55	1	
	21	96400-1009000 BOLT, FLANGE 10x90	2	
	22	90304-GA6-003 NUT, AXLE	5	
•	23	90306-NF5-951 NUT, LOCK, 16MM	1	

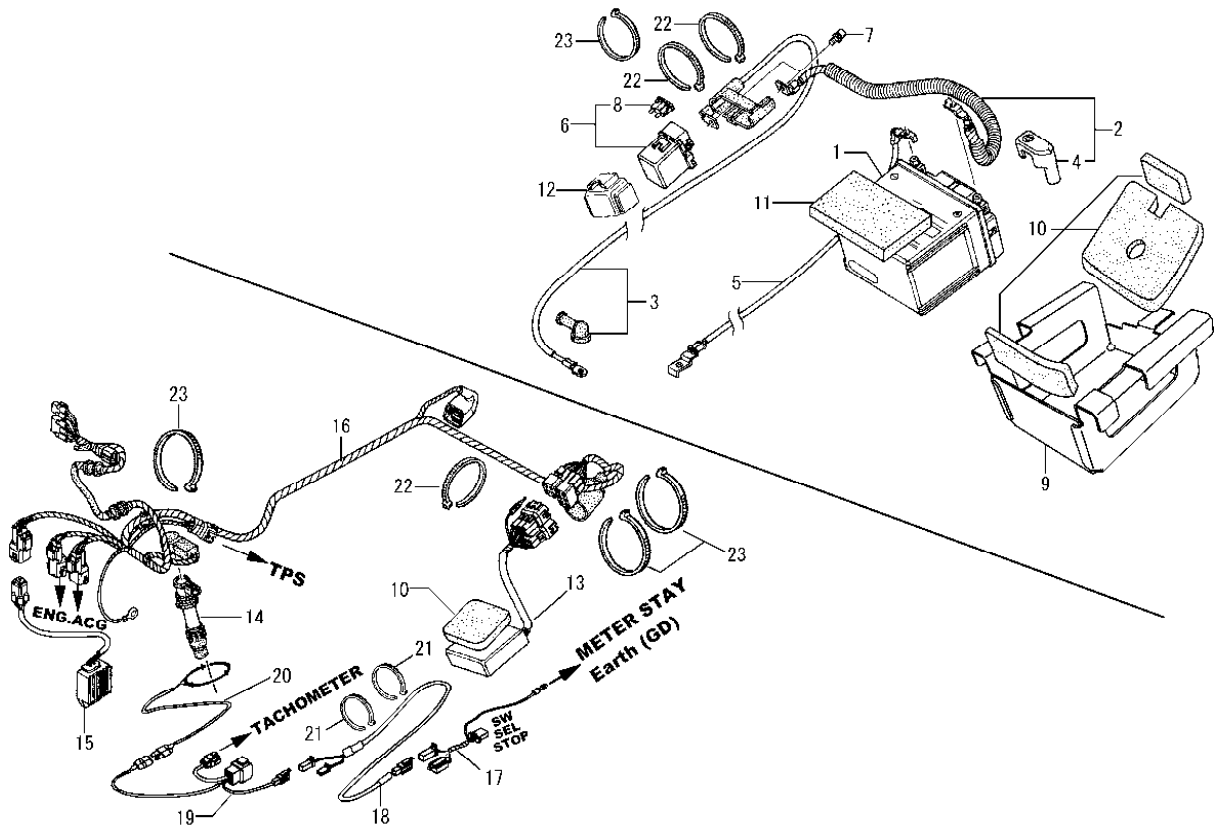
* = MARKING COLLAR

BLOCK No.
F-13
REAR CUSHION



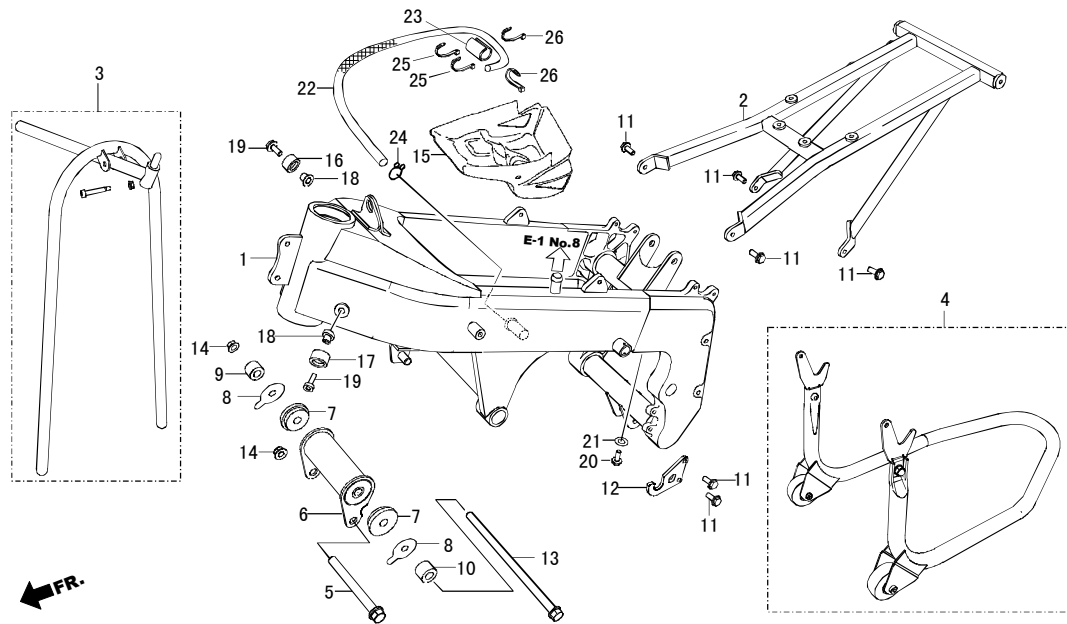
Ref. No.	Part No.	Description	Reqd. QTY	Retail Price
▪ 24	90510-NX4-000	SHIM, ENGINE MOUNT 0.2	N	
▪	90511-NX4-000	SHIM, ENGINE MOUNT 0.6	N	
▪	90512-NX4-000	SHIM, ENGINE MOUNT 1.0	N	
▪	90513-NX4-000	SHIM, ENGINE MOUNT 1.5	N	
25	91071-MY1-005	BEARING, NEEDLE, 17x24x17	2	
26	91262-KV3-831	DUST SEAL, 17x24x5	4	
27	91356-KZ3-003	O-RING, 44.7x2.4	1	
28	96400-1007000	BOLT, FLANGE,10x70	1	

BLOCK No.
F-14
BATTERY
WIRE HARNESS



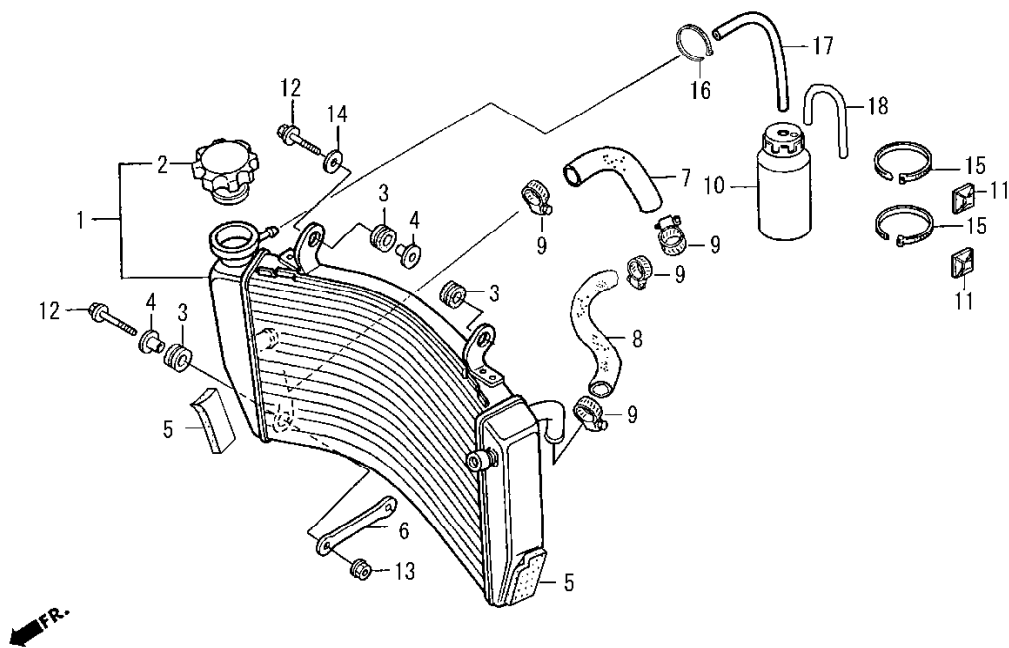
Ref. No.	Part No.	Description	Reqd. QTY	Retail Price
	1	31500-KY4-905 BATTERY (YTX5L-BS)(YUASA)	1	
M	2	32401-10512-A1 CABLE, STARTER, MAGNETIC, BATTERY	1	
	3	32410-KSC-670 CABLE, STATER MOTOR	1	
M	4	32414-10512-00 COVER, BATTERY TERMINAL	1	
	5	32601-KSC-670 CABLE, BATTERY GROUND	1	
	6	35850-KK6-740 SWITCH ASSY., STARTER MAGNETIC	1	
	7	90111-MR5-000 BOLT, SOCKET (5X9)	2	
	8	98200-31500 FUSE, BLADE (15A)	1	
M	9	50320-10512-00 BOX, BATTERY	1	
M	10	18932-10512-00 RUBBER, CUSHION SHEET, REPAIR KIT	1	
M	11	18933-10512-00 RUBBER, CUSHION SHEET, BATTERY	1	
	12	35856-KBH-000 RUBBER, SHOCK	1	
	13	30410-KSC-A21 MODULE, IGNITION CONTROL (CDI)	1	
	14	30700-KRN-670 CAP ASSY., NOISE SUPPRESSOR	1	
M	15	31600-KSC-671 RECTIFIER, REGULATOR	1	
M	16	32100-10512-00 WIRE HARNESS	1	
M	17	37253-10512-00 SUB HARNESS	1	
M	18	37252-10512-00 SUB HARNESS, TACHO	1	
M	19	37260-10512-00 UNIT ASSY., TACHO CONVERTER	1	
M	20	37263-10512-00 SENSOR ASSY., IGN RING	1	
M	21	90650-25100-10 BAND, SELF LOCK 2.5x100 BK	2	
M	22	90650-35150-10 BAND, SELF LOCK 3.5x150 BK	3	
M	23	90650-35150-00 BAND, SELF LOCK 3.5x150 WT	4	

BLOCK No.
F-15
FRAME BODY-STAND-
BOX, CARBURETOR



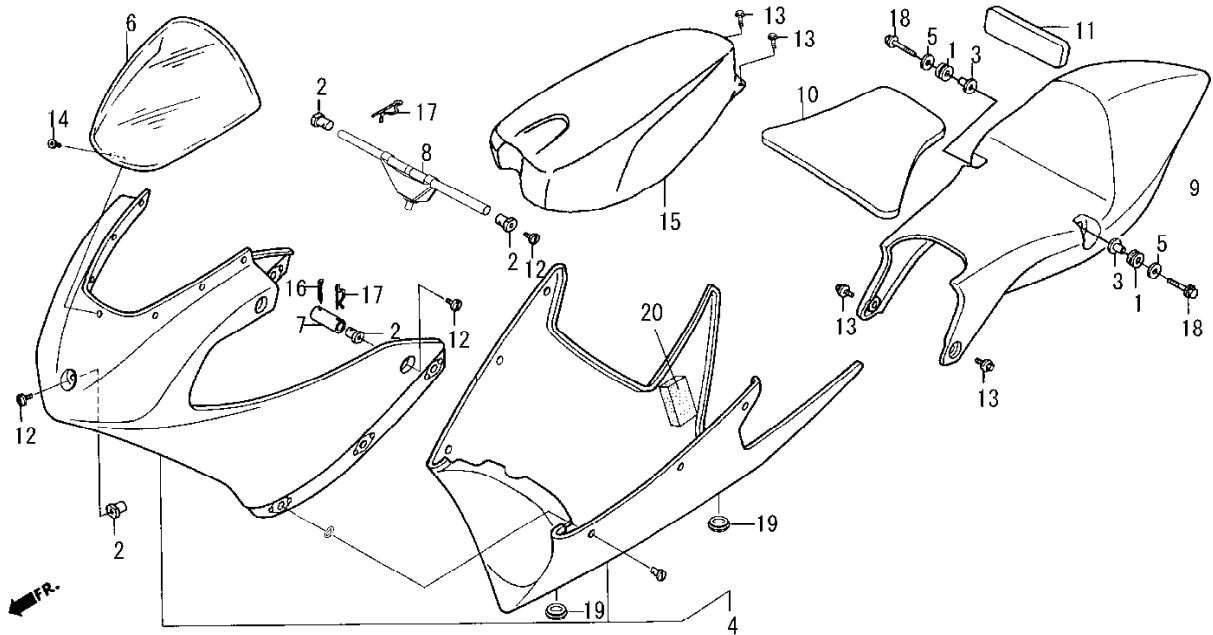
Ref. No.	Part No.	Description	Reqd. QTY
M 1	50100-10512-00	FRAME BODY COMP	1
M 2	50200-10512-00	RAIL COMP., SEAT	1
M 3	53500-10512-00	FRONT STAND	1
M 4	52500-10512-00	REAR STAND	1
5	96400-1011000	BOLT, FLANGE 10x110	1
M 6	50405-10512-00	STAY, RUBBER, ENGINE MOUNT	1
M 7	50408-10512-00	COLLAR, ENGINE MOUNT	2
M 8	90511-10512-00	SHIM, ENGINE MOUNT 0.4	N
M	90514-10512-00	SHIM, ENGINE MOUNT 1.0	N
M 9	50180-10512-00	COLLAR, ENGINE MOUNT R	1
M 10	50181-10512-00	COLLAR, ENGINE MOUNT L	1
11	90004-GHB-620	BOLT, FLANGE 6x14	6
M 12	24620-10512-00	PLATE, SHIFT GUIDE	1
13	90016-HA0-000	BOLT, FLANGE 10X205	1
14	90304-GA6-003	NUT, AXLE	2
M 15	64110-10512-00	BOX, CARBURETOR	1
M 16	50141-10512-000	GUARD, WATER PIPE R	1
17	50141-MEL-000	GUARD, WATER PIPE	1
18	19621-ZG3-881	GROMMET COLLAR	2
19	90085-MAJ-A21	BOLT, SPECIAL, 6x22	2
M 20	90108-GK1-001W	DRAIN BOLT 6x12	1
21	90463-ML7-001	WASHER	1
M 22	17373-10512-00	VINYL-TUBE, BREATHER, FRAME 8x680	1
M 23	17374-10512-00	VINYL-TUBE, PROTECTION 12x70	1
24	95002-02120	CLIP, TUBE B12	1
M 25	90650-25100-00	BAND, SELF LOCK 2.5x100 WT	2
M 26	90650-25100-10	BAND, SELF LOCK 2.5x100 BK	2

BLOCK No.
F-16
RADIATOR



Ref. No.	Part No.	Description	Reqd. QTY	Retail Price
M 1	19010-10512-00	RADIATOR COMP.	1	
	2	CAP COMP., RADIATOR	1	
	3	RUBBER, RADIATOR MOUNT	3	
	4	COLLAR, RADIATOR MOUNT	2	
M 5	50283-10512-30	RUBBER, CUSHION SHEET 5x35x110 BK	2	
M 6	19110-10512-00	STAY, RADIATOR	1	
M 7	19062-10512-10	HOSE, WATER., LOWER	1	
M 8	19062-10512-20	HOSE, WATER., UPPER	1	
	9	CLAMP B, WATER HOSE	4	
	10	TANK, CATCH 250	1	
	11	BASE, ZIP-TIE	2	
	12	BOLT, FLANGE, SH, 6x25	2	
	13	U-NUT 6MM	1	
	14	WASHER, FENDER MOUNT	1	
	15	BAND, SELF LOCK 3.5x290 WT	2	
M 16	90650-25100-00	BAND, SELF LOCK 2.5x100 WT	1	
M 17	17522-10512-00	VINYL-TUBE, 5 x 8 x 320	1	
M 18	17522-10512-00	VINYL-TUBE, 5 x 8 x 250	1	

BLOCK No.
F-17
COWLING



Ref. No.	Part No.	Description	Reqd. QTY	Retail Price
	1	33712-KC5-003 GROMMET	2	
•	2	50803-NF4-610 NUT, COWL STAY	5	
	3	61104-KA4-700 COLLAR, FENDER MOUNT	2	
M	4	64100-10512-00 COWLING, FRONT	1	
M	5	970-006-0201 WASHER, 6MM	2	
M	6	64200-10512-00 SCREEN	1	
•	7	64210-NX4-000 STAY, FRONT COWL SIDE	2	
M	8	64240-10512-00 STAY, FRONT COWL UP	1	
M	9	77210-10512-00 COWL, SEAT	1	
•	10	77220-NX4-000 RUBBER, SEAT	1	
•	11	77221-NF5-760 RUBBER, SEAT BACK	1	
•	12	90106-NF4-770 BOLT, COWL SET, 6x13	5	
	13	90108-GK1-000 BOLT, FLANGE, SH, 6x12	4	
•	14	90656-NX4-000 RIVET, 4x7	7	
M		90656-40080-00 RIVET, 4x8	N	
M	15	81240-10512-00 TANK, COVER	1	
	16	94201-25300 PIN, SPLIT, 2.5x6.4	2	
	17	94252-16100 PIN, LOCK, 16	4	
	18	96001-06020-00 BOLT, FLANGE, SH, 6x20	2	
M	19	64491-02016-00 UNDER, COWL, PLUG	2	
M	20	50283-10512-20 CUSHION SHEET 10x30x40 GY	2	

MORIWAKI ENGINEERING Co., Ltd.

6656-5 Sumiyoshi, Suzuka-City, Mie-Pref., JAPAN 513-0825

TEL: +81 (0)59-370-0090 FAX: +81 (0)59-370-0152

<http://www.moriwaki.co.jp/global/>