

YAMAHA



PARTS CATALOGUE

TZ250 (4DP4)

[4DP-006101~]

'94.11 発行

YAMAHA
GENUINE
Parts & Accessories

154DP-010E1

4DP-28198-15-E1



ま え が き

このパーツカタログは、ヤマハ TZ250 (4DP4) に使用されている補修用販売部品が記載されています。

部品を御注文の際は、本パーツカタログを御参照の上、部品番号、部品名、数量を正確に御指示下さい。

1. 部品の新設、廃止または変更が生じた場合は、部品ニュースにてお知らせ致しますので、お手許のパーツカタログを御訂正下さい。
2. アセンブリでの販売部品は、その構成する部品の頭に (・) 印をつけて一文字下げた状態にて表わしてあります。
3. アセンブリでの販売部品使用個数は、アセンブリ単体に含まれる使用個数を表示してあります。

(例)

部品番号	部品名	使用個数
4J2-83310-00	フロントフラッシュランプアセンブリ	2
3L5-83312-00	・レンズ、フラッシュ	1
185-83311-10	・バルブ (6V-8W)	1

4. 本文中に記載されています省略記号は次の様になっています。

STD	スタンダード
UR	選択
UN	必要数
AP	別売品
O/S	オーバーサイズ
LM	現地調達部品

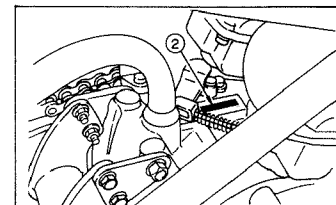
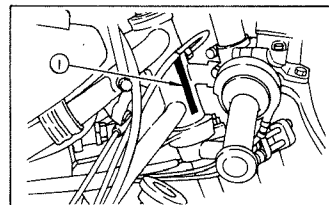
5. フューエルタンク グラフィック及びエンブレムが複数にて使用されている場合は、摘要欄に該当仕様色名が記載されています。

(例)

部品番号	部品名	使用個数	摘要
3FY-24110-00-01	フューエルタンクコンプリート	1	URソフィアイエロー
3FY-24110-00-02	フューエルタンクコンプリート	1	URホワイト
3FY-24240-00	・グラフィックセット	1	URソフィアイエローヨウ
3FY-24240-10	・グラフィックセット	1	URホワイトヨウ
3FY-24161-00	・エンブレム	1	2

6. 本モデルの打刻仕様、塗色部品の使用は、次の様になっています。

① フレーム打刻型式・号機	4DP-006101~
② エンジン打刻型式	4DP



色番号	色名	省略記号
0036	ホワイト	W

7. 本モデルのサービス資料の部品番号は、下記の通りです。

資料名	部品番号
オーナーズサービスマニュアル	4DP-28199-03

CONTENTS

ENGINE

Cylinder Head	B2~B3
Crankshaft. Piston	B4
Counter Shaft	B5
Water Pump	B6
Radiator. Hose	B7
Oil Pump	B8
Intake	B9
Carburetor	B10~B12
Exhaust	B13
Crankcase	B14
Clutch	B15~C2
Transmission	C3~C4
Shift Cam. Fork	C5
Shift Shaft	C6

Stand. Footrest	D10~D11
Cowling 1	D12~D13
Generator	D14
Meter	D15
Handle Switch. Lever	E2
Electrical 1	E3

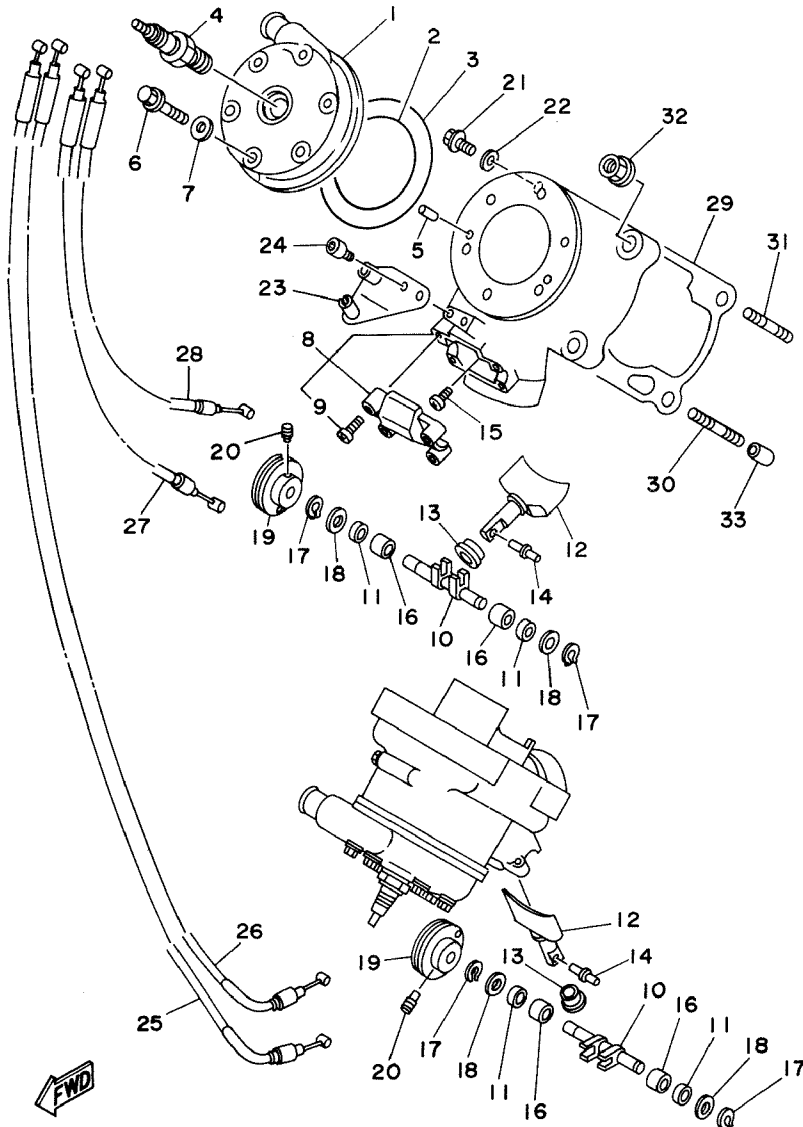
INDEX

Numerical Index	M1~M3
-----------------------	-------

CHASSIS

Frame	C7~C8
Rear Arm	C9
Rear Suspension	C10
Steering	C11
Front Fork	C12~C13
Fuel Tank	C14
Seat	C15
Front Wheel	D2
Front Brake Caliper	D3
Rear Wheel	D4~D5
Rear Brake Caliper	D6
Steering Handle. Cable	D7
Front Master Cylinder	D8~D9

FIG. 1 CYLINDER HEAD

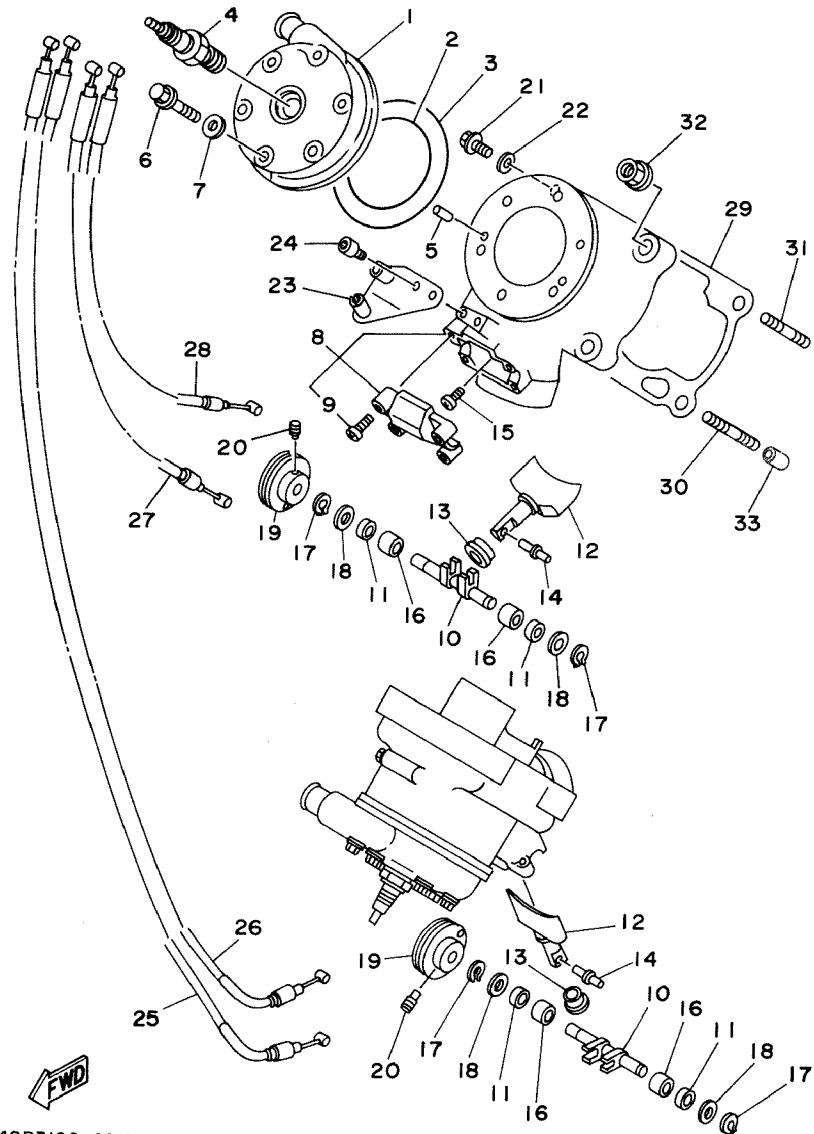


4DP3100-4010

REF. NO.	PART NO.	DESCRIPTION	Q'TY	REMARKS
1	4DP-11111-10	HEAD, CYLINDER 1	2	
2	93210-63442	O-RING	2	
3	93210-88696	O-RING	2	
4	94702-00374	PLUG, SPARK (R6179A-105P)	2 UR	
	94709-00374	PLUG, SPARK (R6179A-105P)	2 UR FOR JAPAN	
5	93604-08071	PIN, DOWEL	4	
6	90105-06535	BOLT, WASHER BASED	12	
7	90430-06166	GASKET	12	
8	4DP-11310-02	CYLINDER	2	
9	98907-05020	.SCREW, BIND	4	
10	3LC-1131V-00	SHAFT 1	2	
11	93104-08040	OIL SEAL	4	
12	3YL-1131A-00	VALVE 1	2	
13	1RK-1131E-00	HOLDER 1	2	
14	90249-04189	PIN	2	
15	98907-05010	SCREW, BIND	2	
16	90380-08192	BUSH, SOLID	4	
17	93440-08130	CIRCLIP	4	
18	90201-08085	WASHER, PLATE	4	
19	4DP-1132E-00	PULLEY 1	2	
20	90149-05149	SCREW	2	
21	95817-06010	BOLT, FLANGE	2	
22	90430-06166	GASKET	2	
23	3YL-11932-00	SETTER, WIRE	2	
24	91317-05010	BOLT	4	
25	3YL-1133E-00	CABLE, PULLEY 1	1 CLOSE	
26	3YL-1133F-00	CABLE, PULLEY 2	1 OPEN	
27	3YL-1133G-00	CABLE, PULLEY 3	1 CLOSE	

B2

FIG. 1 CYLINDER HEAD

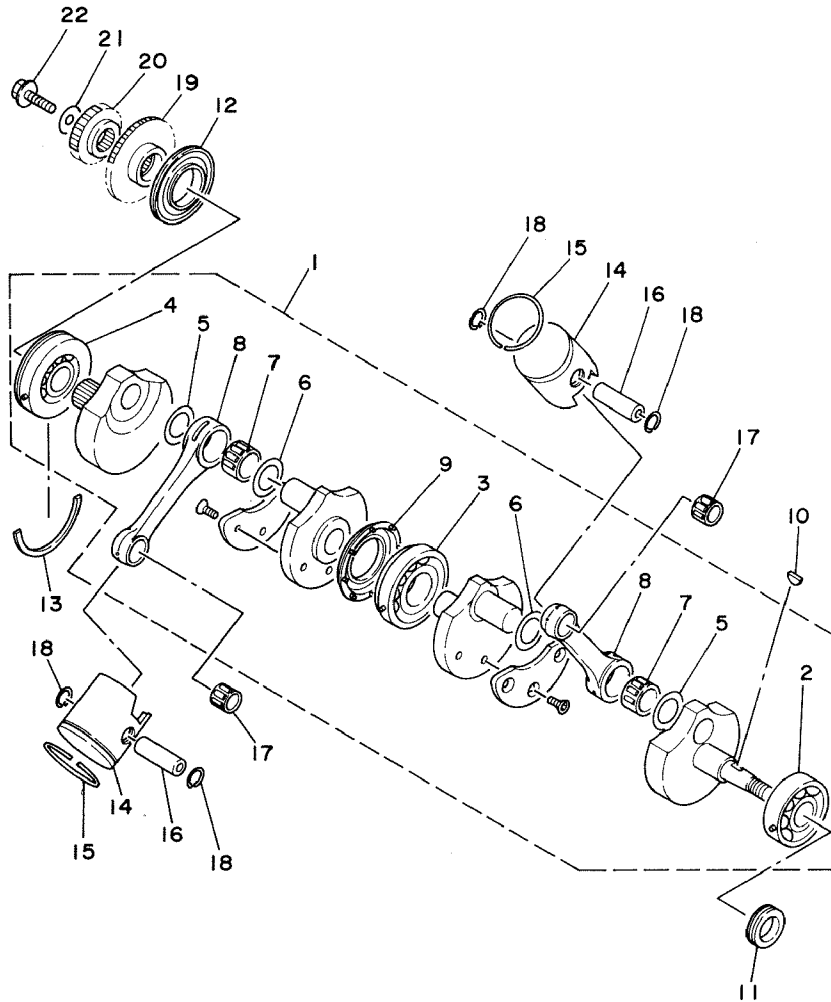


REF. NO.	PART NO.	DESCRIPTION	Q'TY	REMARKS
28	3YL-1133H-00	CABLE, PULLEY 4	1	OPEN
29	4DP-11351-00	GASKET, CYLINDER (0.8T)	2	STD
	4DP-11351-10	GASKET, CYLINDER (0.7T)	2	AP
	4DP-11351-20	GASKET, CYLINDER (0.6T)	2	AP
	4DP-11351-30	GASKET, CYLINDER (0.5T)	2	AP
30	90116-08409	BOLT, STUD	4	
31	90116-08564	BOLT, STUD	4	
32	95707-08500	NUT, FLANGE	8	
33	99510-10114	PIN, DOWEL	4	

4DP3100-4010

B3

FIG. 2 CRANKSHAFT. PISTON



REF. NO.	PART NO.	DESCRIPTION	Q'TY	REMARKS
1	4DP-11400-01	CRANKSHAFT ASSY	1	
2	93306-30564	.BEARING	1	
3	93306-30631	.BEARING	1	
4	93306-30563	.BEARING	1	
5	90209-24327	.WASHER	2	
6	90209-24315	.WASHER	2	
7	93310-52400	.BEARING, CYLINDRICAL	2	
8	3XV-11651-01	.ROD, CONNECTING	2	
9	93101-44160	.OIL SEAL	1	
10	90280-04001	KEY, WOODRUFF	1	
11	93102-25438	OIL SEAL	1	
12	93103-35173	OIL SEAL	1	
13	93440-72049	CIRCLIP	1	
14	4DP-11631-01-A0	PISTON (STD)	2	UR
	4DP-11631-01-B0	PISTON (STD)	2	UR
	4DP-11631-01-C0	PISTON (STD)	2	UR
	4DP-11631-01-D0	PISTON (STD)	2	UR
15	1RK-11611-01	RING, PISTON	2	
16	137-11633-10	PIN, PISTON	2	
17	93310-31605	BEARING, CYLINDRICAL	2	
18	93450-17129	CIRCLIP	4	
19	3YL-11536-01	GEAR, DRIVE	1	
20	3YL-16111-00	GEAR, PRIMARY DRIVE	1	
21	90201-10144	WASHER, PLATE	1	
22	90105-10445	BOLT, WASHER BASED	1	

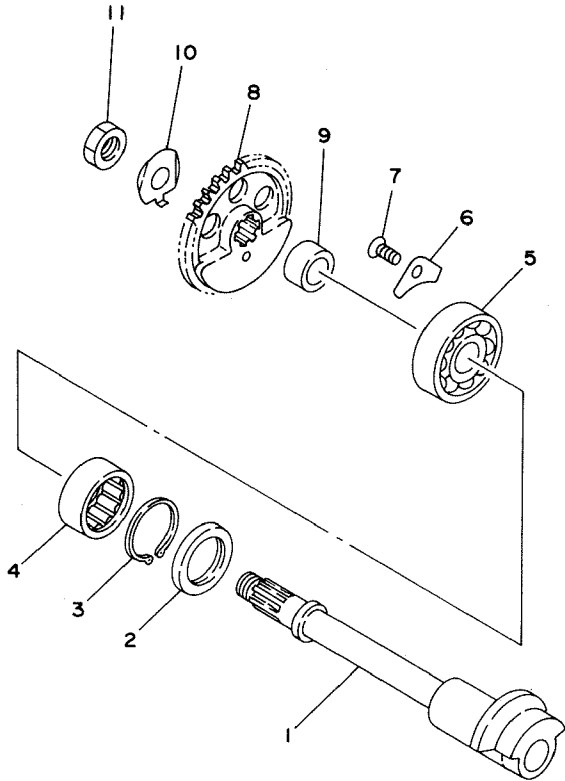


3YL1100-1020

B4

FIG. 3 COUNTER SHAFT

REF. NO.	PART NO.	DESCRIPTION	Q'TY	REMARKS
1	3YL-11455-01	SHAFT 1	1	
2	93102-25404	OIL SEAL	1	
3	93420-37074	CIRCLIP	1	
4	93311-62574	BEARING, CYLINDRICAL	1	
5	93306-30316	BEARING	1	
6	2K7-15383-00	PLATE, BEARING COVER	1	
7	90151-06041	SCREW, COUNTERSUNK	1	
8	3YL-11531-00	GEAR, BALANCE WT	1	
9	90387-172K2	COLLAR	1	
10	90215-14204	WASHER, LOCK	1	
11	90170-14171	NUT	1	

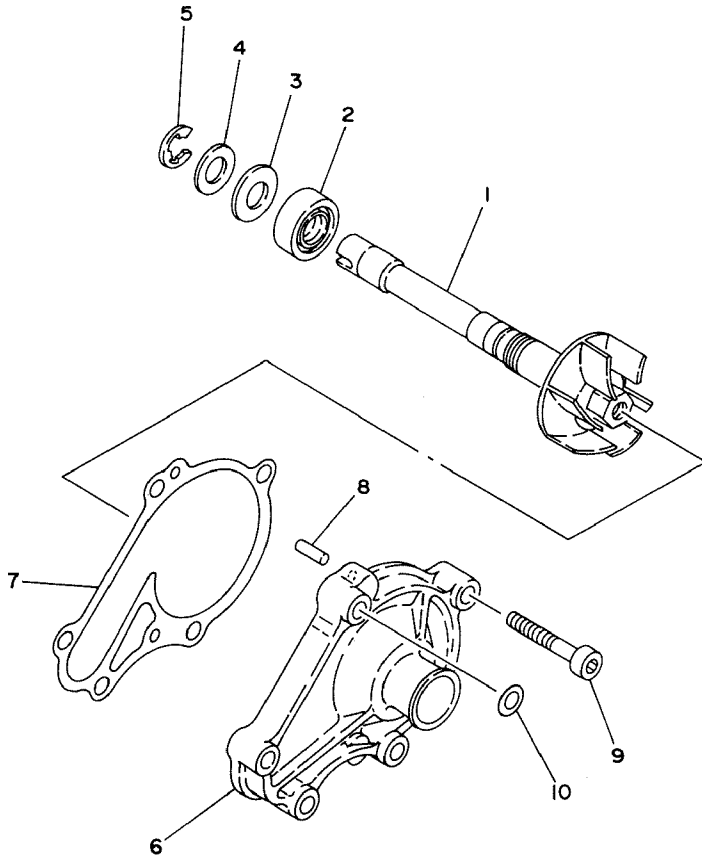


3YL1100-1030

B5

FIG. 4 WATER PUMP

REF. NO.	PART NO.	DESCRIPTION	Q'TY	REMARKS
1	3XV-12450-00	IMPELLER SHAFT ASSY	1	
2	93103-12119	OIL SEAL	1	
3	90201-114P2	WASHER, PLATE (1.0)	1	
4	90201-114P4	WASHER, PLATE (2.0)	1	
5	99009-11400	CIRCLIP	1	
6	3XV-12422-00	COVER, HOUSING	1	
7	3XV-12428-01	GASKET, HOUSING COVER 2	1	
8	93604-10011	PIN, DOWEL	2	
9	91317-06025	BOLT	5	
10	90430-06166	GASKET	1	

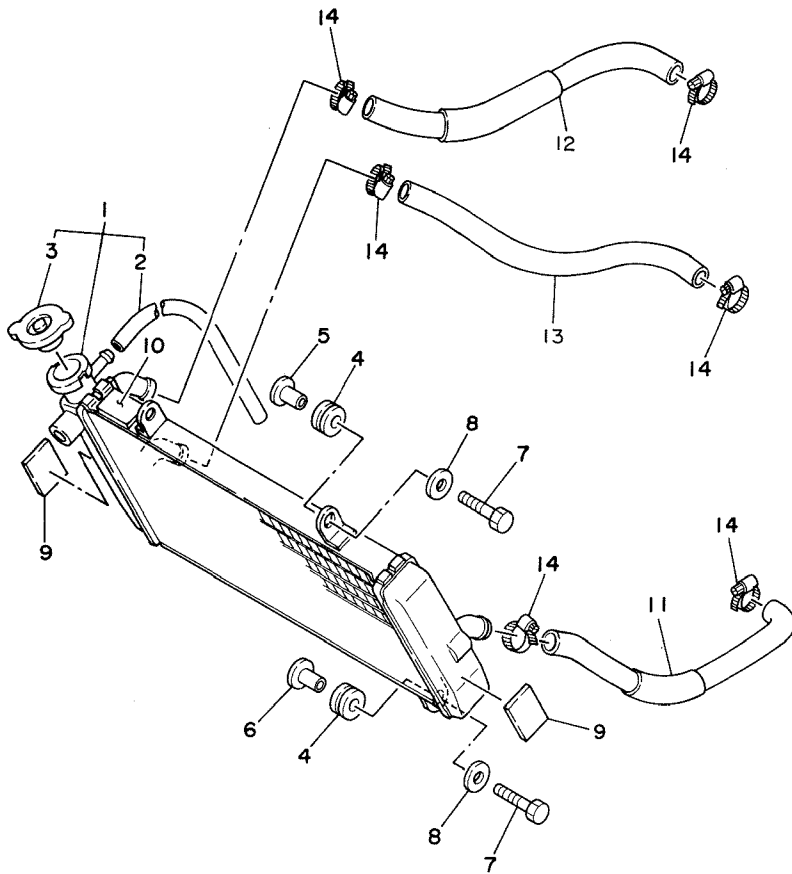


4DPI100-2040

B6

FIG. 5 RADIATOR. HOSE

REF. NO.	PART NO.	DESCRIPTION	Q'TY	REMARKS
1	3YL-12460-01	RADIATOR ASSY	1	
2	3AK-12463-00	.PIPE, BREATHER	1	
3	22W-12462-00	.CAP, RADIATOR	1	
4	90480-15363	GROMMET	3	
5	90387-060G8	COLLAR	2	
6	90387-06388	COLLAR	1	
7	97007-06030	BOLT	3	
8	90201-065F3	WASHER, PLATE	3	
9	5H0-8235Y-M0	DAMPER	2	
10	1UA-82123-00	SEAT, BATTERY	1	
11	3YL-12482-00	PIPE 2	1	
12	4DP-12483-00	PIPE 3	1	
13	3YL-12484-00	PIPE 4	1	
14	90460-20190	CLAMP, HOSE	6	

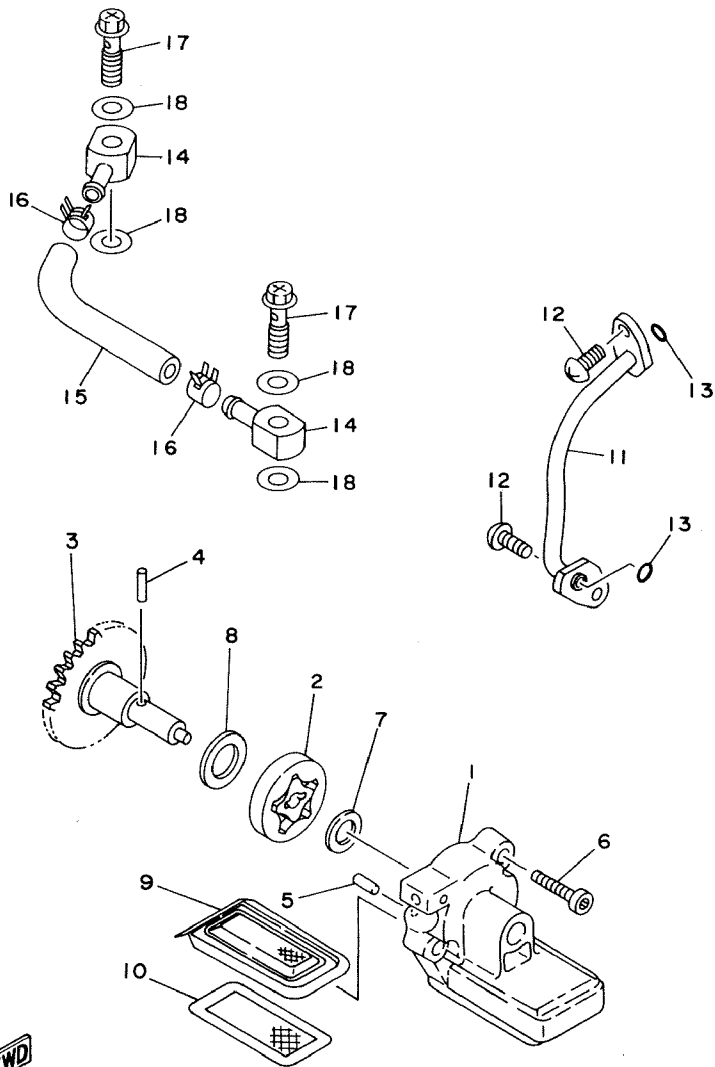


4DP4100-5050

B7

FIG. 6 OIL PUMP

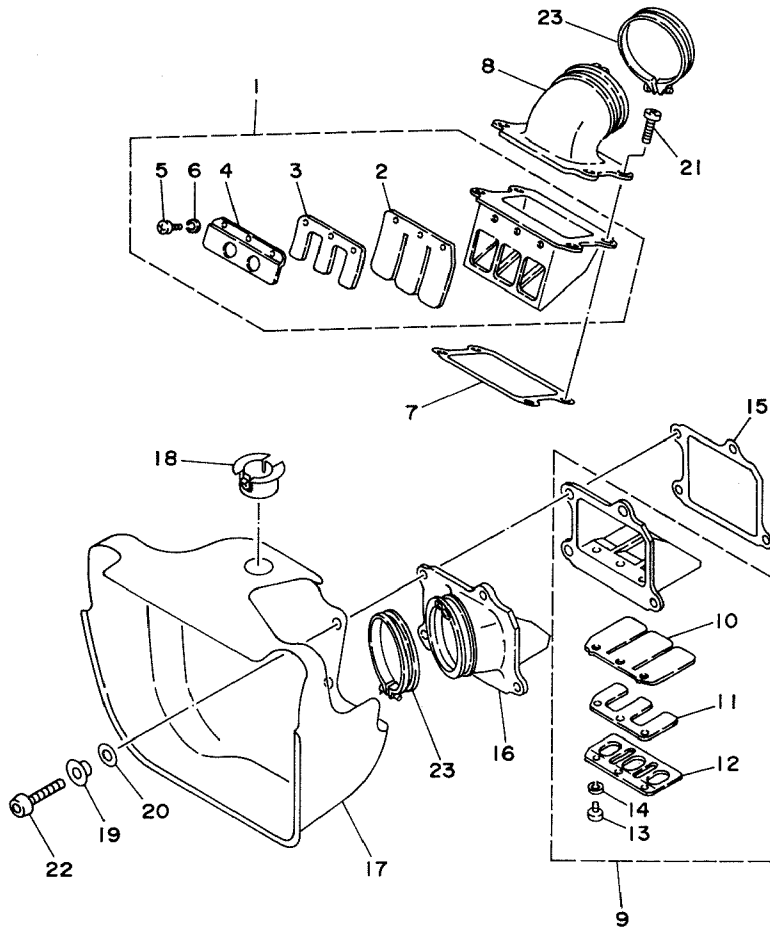
REF. NO.	PART NO.	DESCRIPTION	Q'TY	REMARKS
1	3XV-13316-00	COVER, PUMP	1	
2	5H0-13310-00	ROTOR ASSY 1	1	
3	4DP-Y1332-00	GEAR, PUMP	1	
4	93603-12030	PIN, DOWEL	1	
5	93604-10011	PIN, DOWEL	2	
6	91317-05020	BOLT	3	
7	90201-08512	WASHER, PLATE	1	
8	90201-127E1	WASHER, PLATE	1	
9	3XV-13411-00	STRAINER, OIL	1	
10	3XV-13421-00	STRAINER 2	1	
11	3XV-13161-00	PIPE, DELIVERY 1	1	
12	90157-05106	SCREW, PAN HEAD	2	
13	93210-07540	O-RING	2	
14	90405-06044	UNION	2	
15	90445-10456	HOSE	1	
16	90467-09037	CLIP	2	
17	90401-06115	BOLT, UNION	2	
18	90430-06166	GASKET	4	



4DP1100-2060

B8

FIG. 7 INTAKE



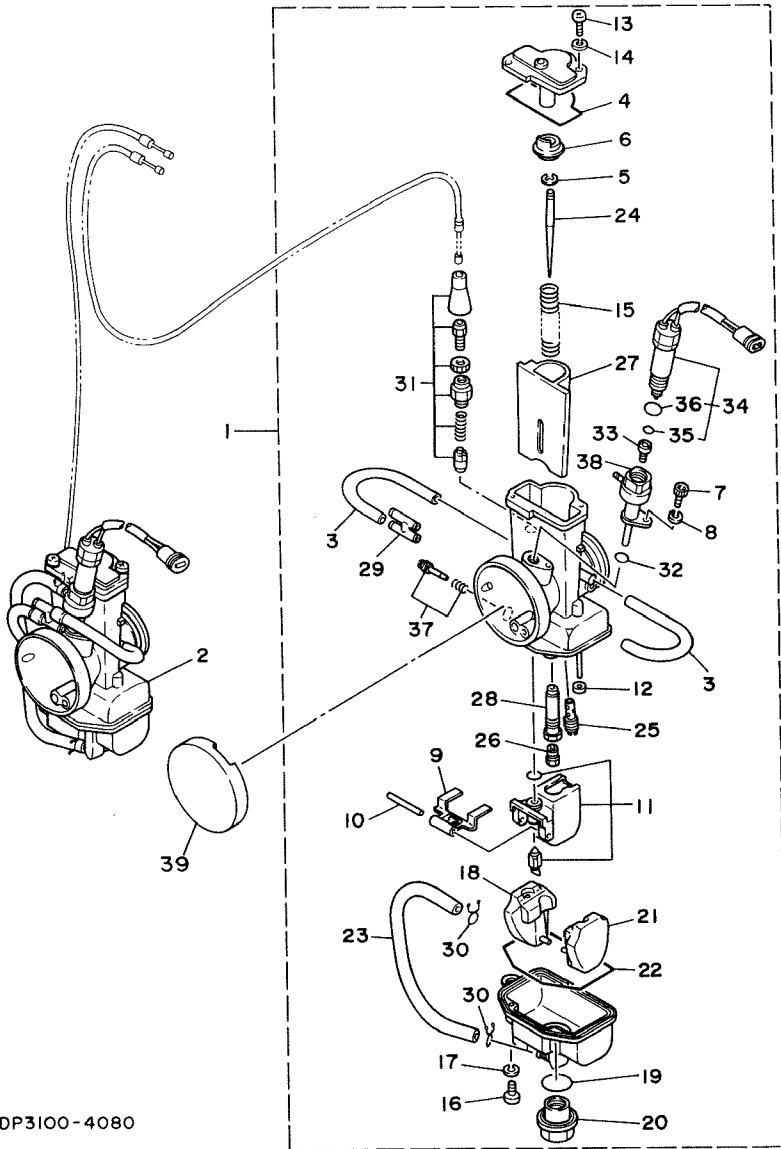
REF. NO.	PART NO.	DESCRIPTION	Q'TY	REMARKS
1	3YL-13610-00	REED VALVE ASSY	1	
2	3XV-13613-01	.REED, VALVE	2	
3	2KM-13614-00	.REED, VALVE 2	2	
4	3YL-13616-00	.STOPPER, REED VALVE	2	
5	98507-03006	.SCREW, PAN HEAD	6	
6	92990-03100	.WASHER, SPRING	6	
7	3XV-13621-00	GASKET, VALVE SEAT	1	
8	3YL-13555-00	MANIFOLD, INTAKE	1	
9	3YL-13620-00	REED VALVE ASSY	1	
10	3XV-13613-01	.REED, VALVE	2	
11	2KM-13614-00	.REED, VALVE 2	2	
12	3YL-13617-00	.STOPPER, REED VALVE 2	2	
13	98507-03006	.SCREW, PAN HEAD	6	
14	92990-03100	.WASHER, SPRING	6	
15	3XV-13622-00	GASKET, VALVE SEAT	1	
16	3YL-13565-00	JOINT, CARBURETOR	1	
17	4DP-2163A-00	COVER, REAR FENDER 1	1	
18	4DP-21824-00	PROTECTOR, HOSE	1	
19	3JD-21748-00	COLLAR	2	
20	90202-08175	WASHER, PLATE	2	
21	92017-06020	SCREW	6	
22	92017-06025	SCREW	2	
23	90460-52210	CLAMP, HOSE	2	



4DPI100-2070

B9

FIG. 8 CARBURETOR

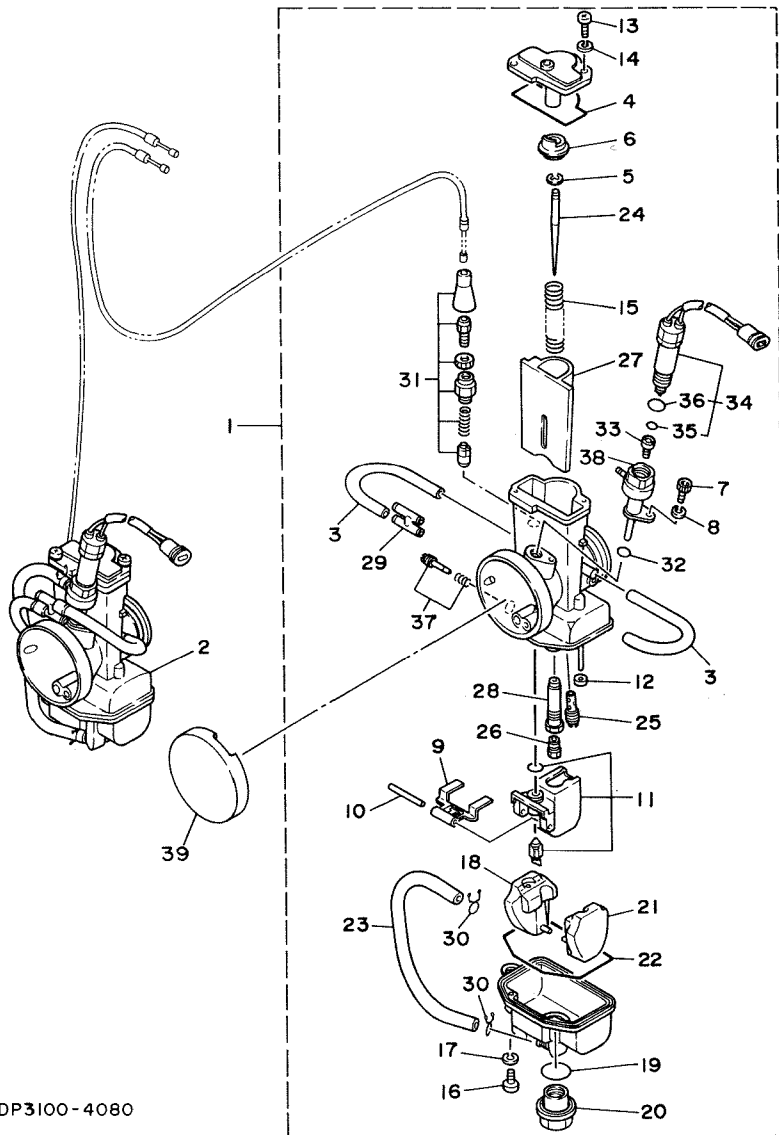


4DP3100-4080

REF. NO.	PART NO.	DESCRIPTION	Q'TY	REMARKS
1	4DP-14101-10	CARBURETOR ASSY 1	1	
2	4DP-14102-10	CARBURETOR ASSY 2	1	
3	310-14196-00	.PIPE	2	
4	3JD-14147-00	.O-RING	1	
5	256-14919-00	.CLIP	1	
6	3JD-14194-00	.RING	1	
7	91317-04010	.BOLT	1	
8	92907-04100	.WASHER, SPRING	1	
9	363-14187-00	.ARM, FLOAT	1	
10	353-14186-00	.PIN, FLOAT	1	
11	4DP-14107-35	.NEEDLE VALVE SET	1	
12	214-14118-00	.CAP	2	
13	98507-04012	.SCREW, PAN HEAD	2	
14	92907-04100	.WASHER, SPRING	2	
15	3JD-14131-00	.SPRING, THROTTLE VALVE	1	
16	98507-03010	.SCREW, PAN HEAD	1	
17	92990-03100	.WASHER, SPRING	1	
18	3JD-14185-00	.FLOAT	1	
19	3JE-14561-00	.O-RING	1	
20	4DP-14115-00	.PLUG, SCREW	1	
21	3JE-14185-00	.FLOAT	1	
22	3JE-14147-00	.O-RING	1	
23	3V3-14987-00	.HOSE	1	
24	3JD-14116-E0	.NEEDLE (6E127-60)	1	STD
	239-14116-A0	.NEEDLE (J8-6FI02-60)	1	UR
25	193-14142-20	.JET, PILOT (#20)	1	STD
	193-14142-17	.JET, PILOT (#17.5)	1	UR
	193-14142-22	.JET, PILOT (#22.5)	1	UR

B10

FIG. 8 CARBURETOR

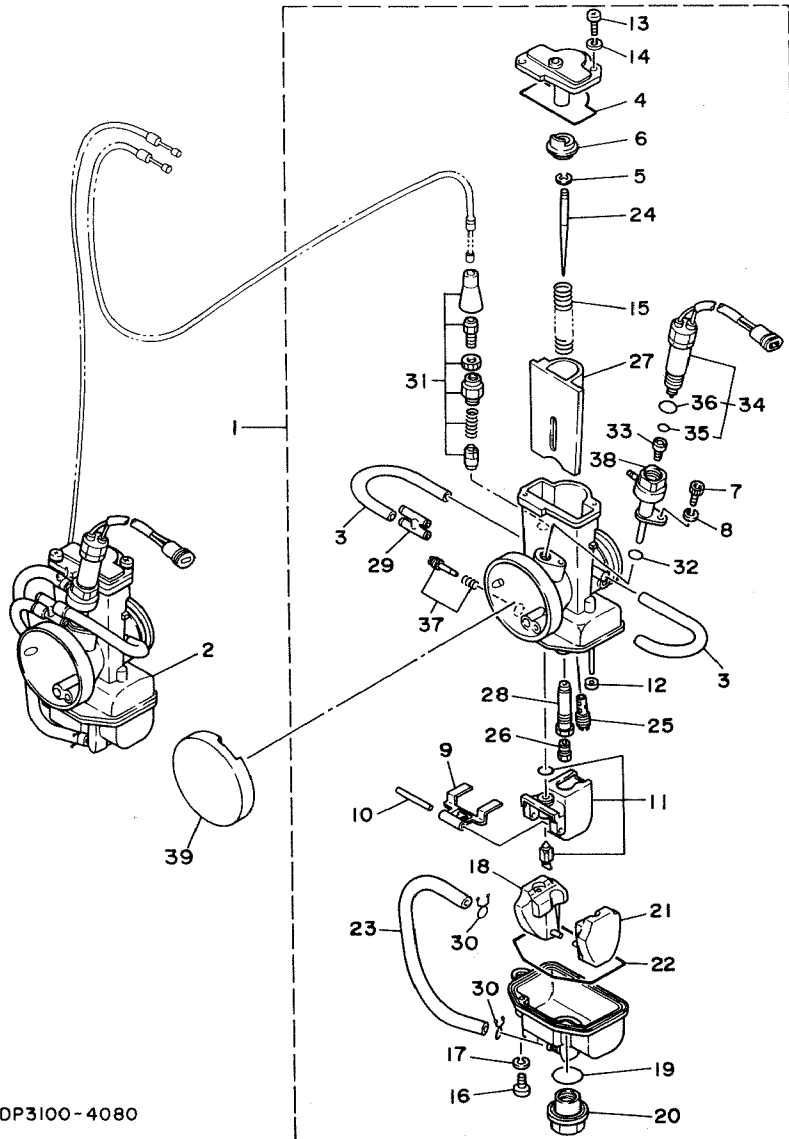


REF. NO.	PART NO.	DESCRIPTION	Q'TY	REMARKS
26	137-1414K-16	.JET, MAIN (#580)	1	STD
	137-1414K-12	.JET, MAIN (#560)	1	UR
	137-1414K-08	.JET, MAIN (#540)	1	UR
	137-1414K-04	.JET, MAIN (#520)	1	UR
	137-1414K-00	.JET, MAIN (#500)	1	UR
	137-14143-98	.JET, MAIN (#490)	1	UR
	137-14143-96	.JET, MAIN (#480)	1	UR
	137-14143-94	.JET, MAIN (#470)	1	UR
	137-14143-92	.JET, MAIN (#460)	1	UR
	137-14143-90	.JET, MAIN (#450)	1	UR
	137-14143-88	.JET, MAIN (#440)	1	UR
	137-14143-86	.JET, MAIN (#430)	1	UR
	137-14143-84	.JET, MAIN (#420)	1	UR
	137-14143-82	.JET, MAIN (#410)	1	UR
	137-14143-80	.JET, MAIN (#400)	1	UR
	137-14143-78	.JET, MAIN (#390)	1	UR
	137-14143-76	.JET, MAIN (#380)	1	UR
	137-14143-74	.JET, MAIN (#370)	1	UR
	137-14143-72	.JET, MAIN (#360)	1	UR
	137-14143-70	.JET, MAIN (#350)	1	UR
27	3JD-14112-35	.VALVE, THROTTLE (C.A 3.5)	1	
28	3TC-14141-R9	.NOZZLE, MAIN (R-9)	1	STD
	3TC-14141-R5	.NOZZLE, MAIN (R-5)	1	UR
	3TC-14141-R7	.NOZZLE, MAIN (R-7)	1	UR
29	8J0-14251-00	.NIPPLE	1	
30	8A7-14139-00	.CLIP, PIPE	2	
31	1RK-1410A-00	.STARTER SET	1	
32	214-14147-00	.O-RING	1	

4DP3100-4080

B11

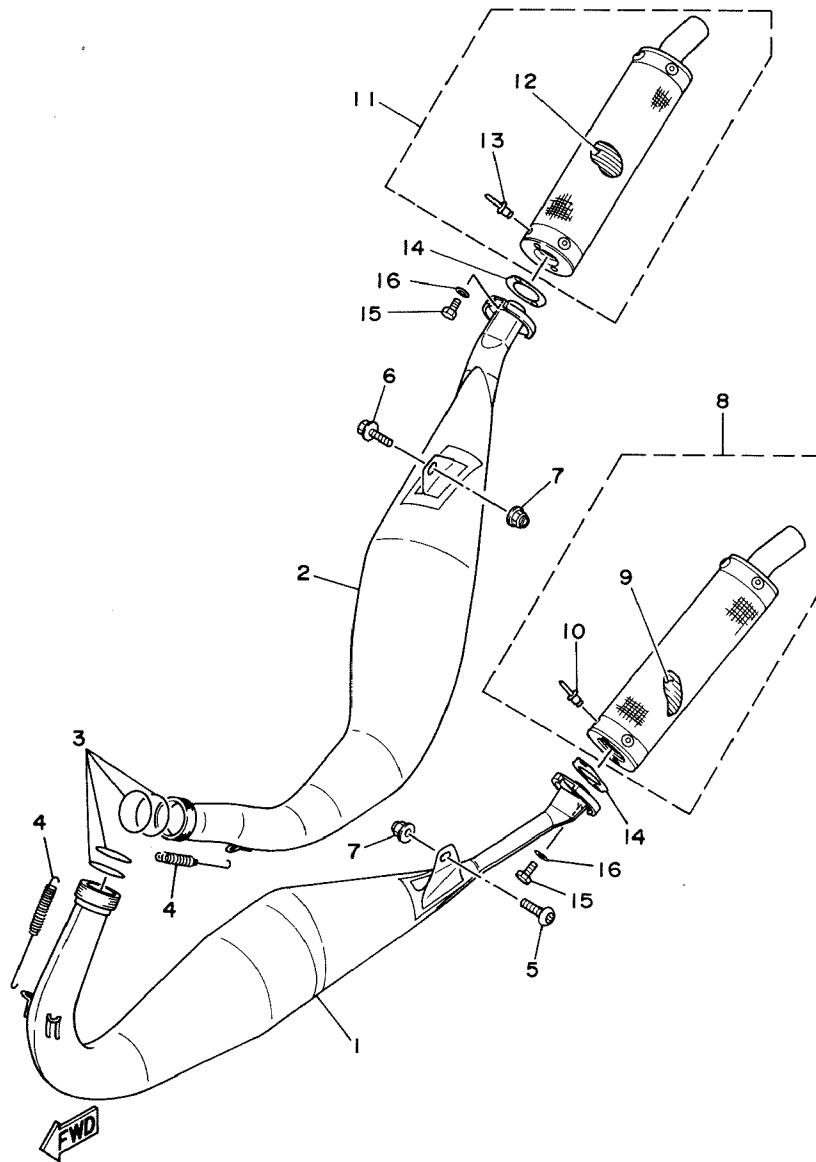
FIG. 8 CARBURETOR



REF. NO.	PART NO.	DESCRIPTION	Q'TY	REMARKS
33	3G2-14231-16	.JET, POWER (#80)	1	STD
	3G2-14231-12	.JET, POWER (#60)	1	UR
	3G2-14231-14	.JET, POWER (#70)	1	UR
34	3LC-1410H-00	.FUEL CUT SOLENOID VALVE	1	
35	3LC-14147-00	.O-RING	1	
36	3LC-1416A-00	.O-RING	1	
37	3JD-14104-00	.AIR SCREW SET	1	
38	4DP-14261-00	.HOLDER	1	
39	4JT-14157-00	COVER, MIXING	2	

4DP3100-4080

B12

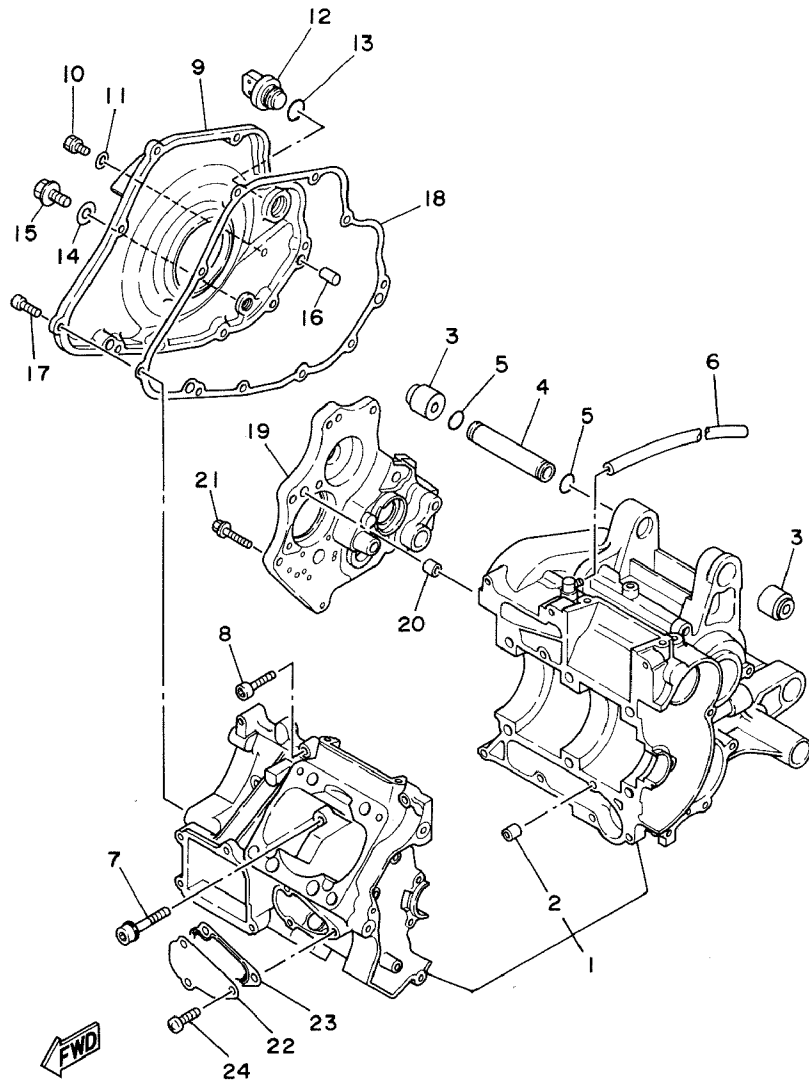


4DP4100-5090

FIG. 9 EXHAUST

REF. NO.	PART NO.	DESCRIPTION	Q'TY	REMARKS
1	4DP-14610-01	EXHAUST PIPE ASSY 1	1	UR
	4DP-14610-11	EXHAUST PIPE ASSY 1	1	UR FOR U.S.A.
2	4DP-14620-00	EXHAUST PIPE ASSY 2	1	UR
	4DP-14620-10	EXHAUST PIPE ASSY 2	1	UR FOR U.S.A.
3	93210-42728	O-RING	4	
4	90507-20035	SPRING, TENSION	4	
5	92017-08030	SCREW	1	
6	95817-08030	BOLT, FLANGE	1	
7	90185-08097	NUT, SELF-LOCKING	2	
8	4DP-14753-01	SILENCER, EXHAUST	1	
9	4DP-1469A-01	.FIBER	1	
10	90267-48147	.RIVET, BLIND	8	
11	4DP-14765-00	SILENCER, EXHAUST	1	
12	4DP-1469A-10	.FIBER	1	
13	90267-48147	.RIVET, BLIND	8	
14	4DP-14755-00	GASKET, SILENCER	2	
15	97027-06020	BOLT	4	
16	92907-06600	WASHER	4	

FIG. 10 CRANKCASE



REF. NO.	PART NO.	DESCRIPTION	Q'TY	REMARKS
1	3YL-15100-02	CRANKCASE ASSY	1	
2	99530-10014	.PIN, DOWEL	2	
3	3YL-15326-00	DAMPER, ENGINE MOUNT 2	4	
4	3YL-15327-01	SPACER, ENGINE MOUNT	2	
5	93210-15680	O-RING	4	
6	90445-093H5	HOSE	1	
7	90109-084F1	BOLT	6	
8	91317-06030	BOLT	9	
9	3YL-15421-00	COVER, CRANKCASE 2	1	
10	90338-06041	PLUG	1	
11	90430-06166	GASKET	1	
12	4A0-15363-00	PLUG, OIL	1	
13	93210-21190	O-RING	1	
14	90430-12202	GASKET	1	
15	90340-12144	PLUG, STRAIGHT SCREW	1	
16	99510-08012	PIN, DOWEL	2	
17	91317-06020	BOLT	10	
18	3YL-15461-01	GASKET, CRANKCASE COVER 2	1	
19	4DP-15131-01	CRANKCASE 3	1	
20	99530-10014	PIN, DOWEL	2	
21	90109-065F8	BOLT	7	
22	3XV-15431-00	COVER, CRANKCASE 3	1	
23	3XV-15462-00	GASKET, CRANKCASE COVER 3	1	
24	92017-06014	SCREW	3	

4DP1100-2100

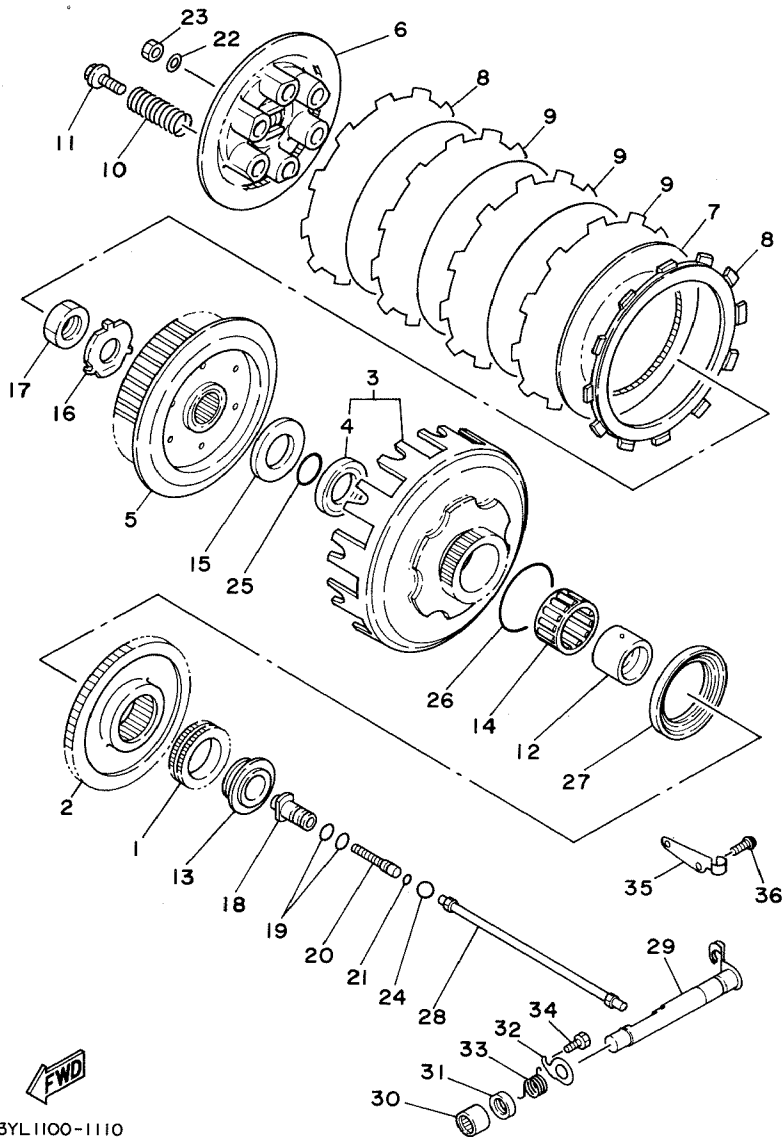
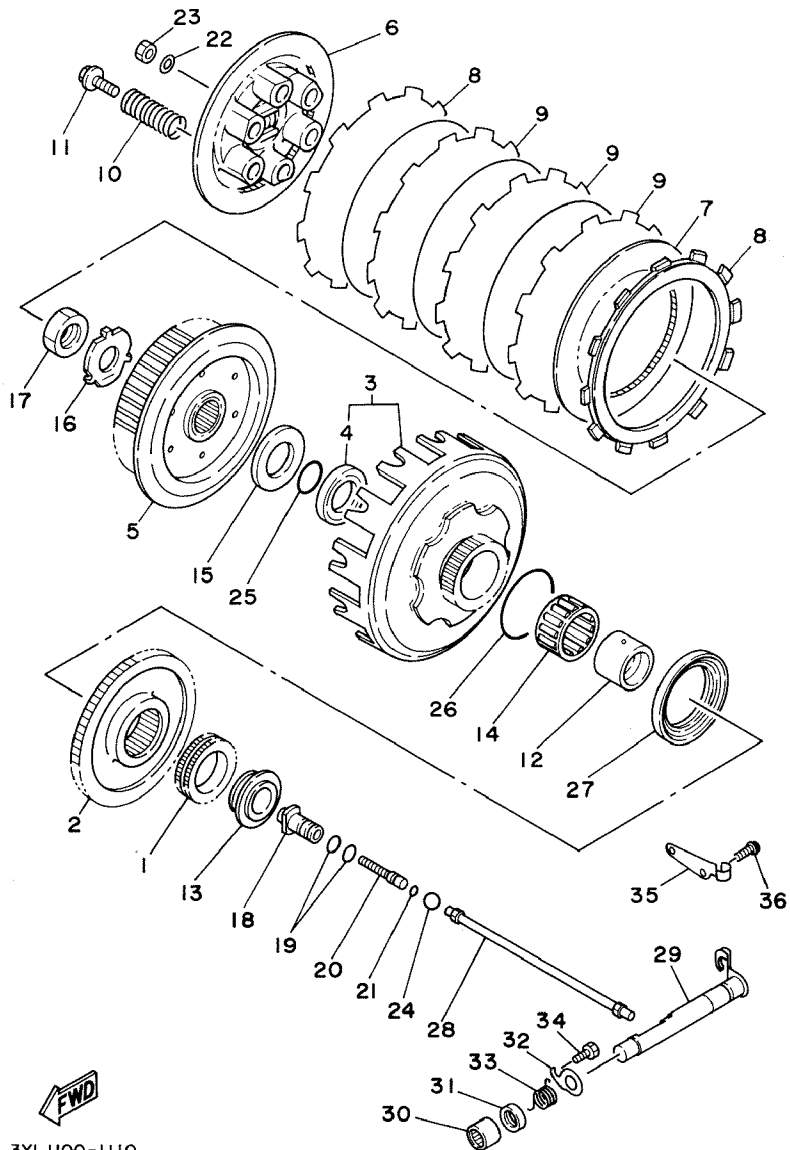


FIG. 11 CLUTCH

REF. NO.	PART NO.	DESCRIPTION	Q'TY	REMARKS
1	4DP-13324-00	GEAR, PUMP DRIVE	1	
2	4DP-16151-01	GEAR, PRIMARY DRIVEN	1	
3	5F7-16310-00	CLUTCH HOUSING ASSY	1	
4	93102-30243	.OIL SEAL	1	
5	26J-16371-01	BOSS, CLUTCH	1	
6	26J-16351-00	PLATE, PRESSURE 1	1	
7	168-16324-00	PLATE, CLUTCH 1	4	
8	3YL-16321-01	PLATE, FRICTION	2	
9	3AK-16321-00	PLATE, FRICTION	3	
10	90501-23138	SPRING, COMPRESSION	6	
11	90159-06016	SCREW, WITH WASHER	6	
12	5F7-16181-00	SPACER 1	1	
13	3YL-16154-00	PLATE, THRUST 1	1	
14	93310-332J5	BEARING, CYLINDRICAL	1	
15	5F7-16153-00	WASHER, THRUST	1	
16	90215-20212	WASHER, LOCK	1	
17	90170-20255	NUT	1	
18	59W-16356-00	ROD, PUSH 1	1	
19	93210-09350	O-RING	2	
20	5F7-16343-00	SCREW, ADJUSTING	1	
21	93210-04279	O-RING	1	
22	92907-06200	WASHER, PLAIN	1	
23	95317-06600	NUT	1	
24	93515-32029	BALL	1	
25	93210-22298	O-RING	1	
26	93210-42482	O-RING	1	
27	93101-56095	OIL SEAL	1	
28	4DP-16357-00	ROD, PUSH 2	1	

B15

FIG. 11 CLUTCH



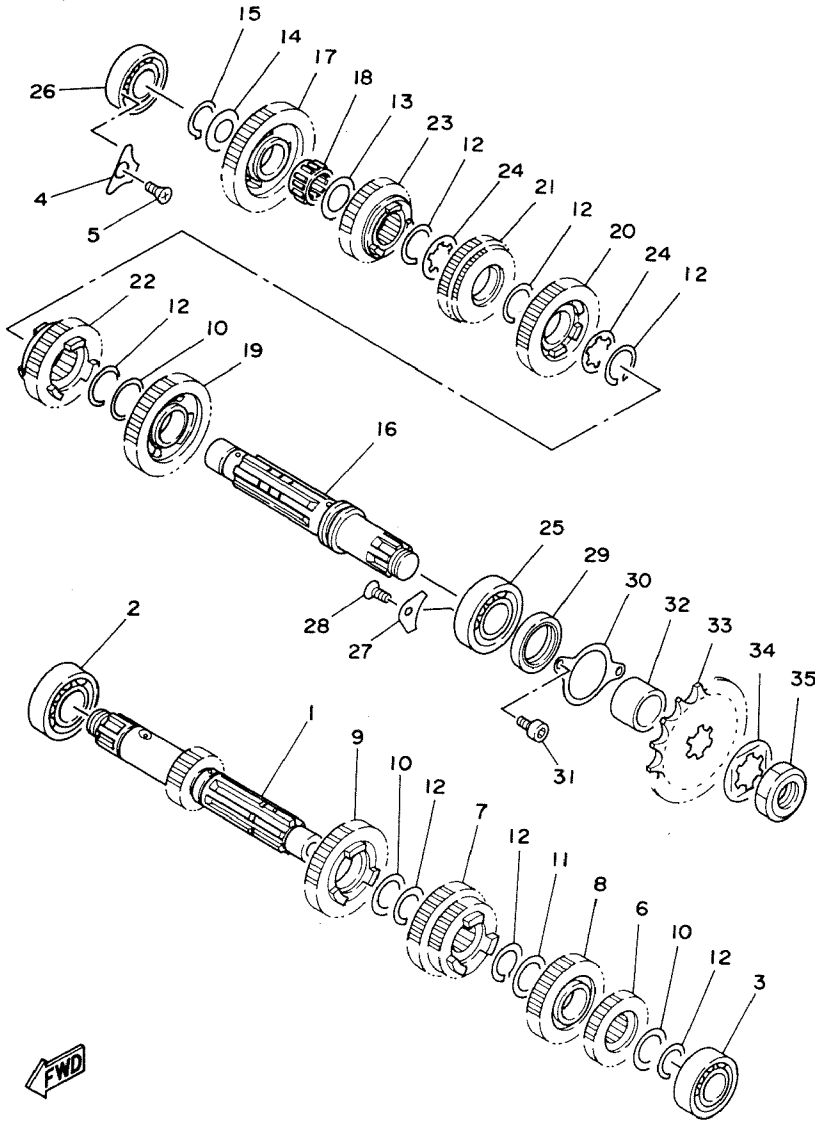
REF. NO.	PART NO.	DESCRIPTION	Q'TY	REMARKS
29	3XV-16381-00	PUSH LEVER COMP.	1	
30	93315-11206	BEARING, CYLINDRICAL	1	
31	93102-12224	OIL SEAL	1	
32	3XV-16384-00	PLATE, SEAT	1	
33	90508-121A2	SPRING, TORSION	1	
34	91317-05010	BOLT	1	
35	3YL-15441-00	HOLDER, CLUTCH CABLE	1	
36	95027-06012	BOLT	2	



3YL1100-1110

C2

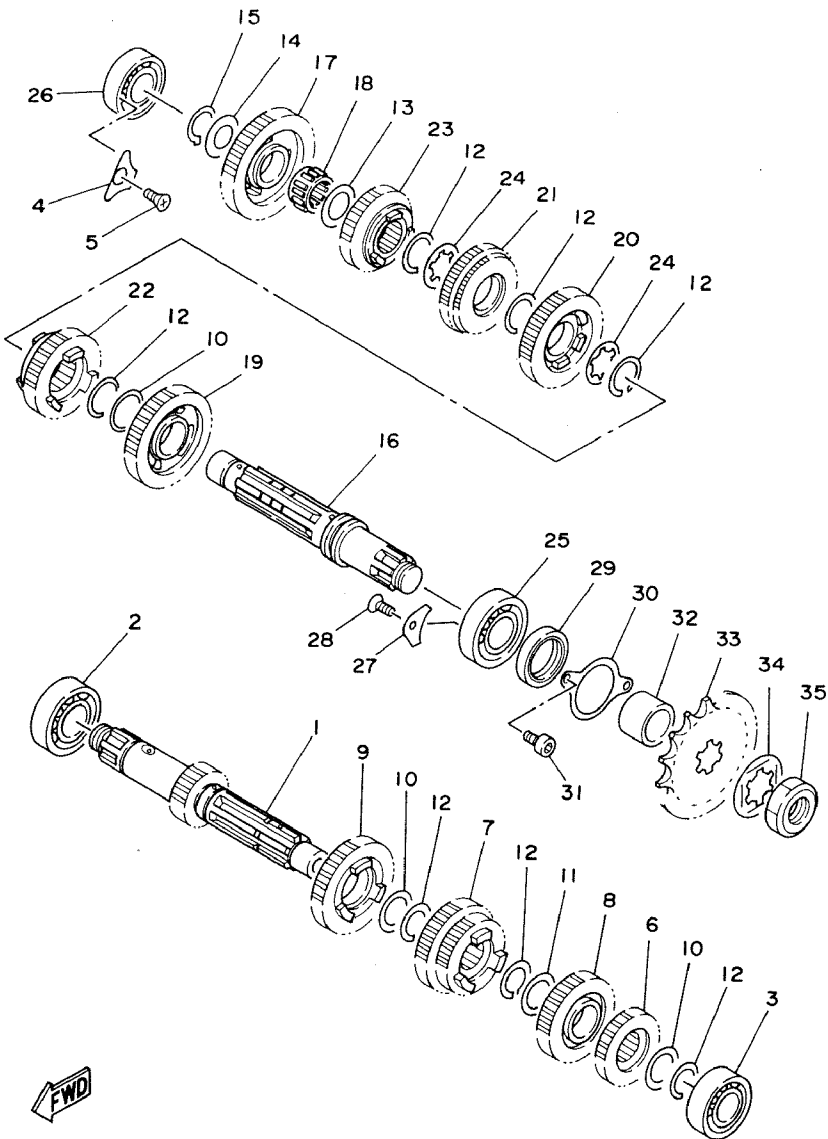
FIG. 12 TRANSMISSION



REF. NO.	PART NO.	DESCRIPTION	Q'TY	REMARKS
1	3YL-17411-20	AXLE, MAIN (18T)	1	STD
	3YL-17411-10	AXLE, MAIN (14T)	1	UR
2	93306-20529	BEARING (B6205C4)	1	
3	93306-00442	BEARING	1	
4	3XV-15381-00	PLATE, BEARING COVER	1	
5	90151-06041	SCREW, COUNTERSUNK	1	
6	4DP-17121-11	GEAR, 2ND PINION (21T)	1	STD
	5F7-17121-21	GEAR, 2ND PINION (19T)	1	UR
7	5F7-17131-10	GEAR, 3RD/4TH PINION (21T/25T)	1	
8	5F7-17151-01	GEAR, 5TH PINION (27T)	1	
9	5F7-17161-10	GEAR, 6TH PINION (25T)	1	STD
	5F7-17161-01	GEAR, 6TH PINION (22T)	1	UR
10	90201-253K0	WASHER, PLATE (T=1.0)	3	UN
	90201-256E6	WASHER, PLATE (T=0.9)	3	UN
11	90201-256E4	WASHER, PLATE (T=1.5)	1	
12	93440-25084	CIRCLIP	7	
13	90201-20276	WASHER, PLATE (1.0T)	1	
14	90201-20276	WASHER, PLATE (1.0T)	1	UN
	90201-206E5	WASHER, PLATE (0.9T)	1	UN
15	99009-20400	CIRCLIP	1	
16	3YL-17421-01	AXLE, DRIVE	1	
17	5F7-17211-20	GEAR, 1ST WHEEL (34T)	1	STD
	5F7-17211-10	GEAR, 1ST WHEEL (28T)	1	UR
18	93310-22057	BEARING (K20-24X10 S)	1	
19	4DP-17221-11	GEAR, 2ND WHEEL (31T)	1	STD
	5F7-17221-21	GEAR, 2ND WHEEL (27T)	1	UR
20	5F7-17231-10	GEAR, 3RD WHEEL (26T)	1	
21	3YL-17241-00	GEAR, 4TH WHEEL (27T)	1	



FIG. 12 TRANSMISSION

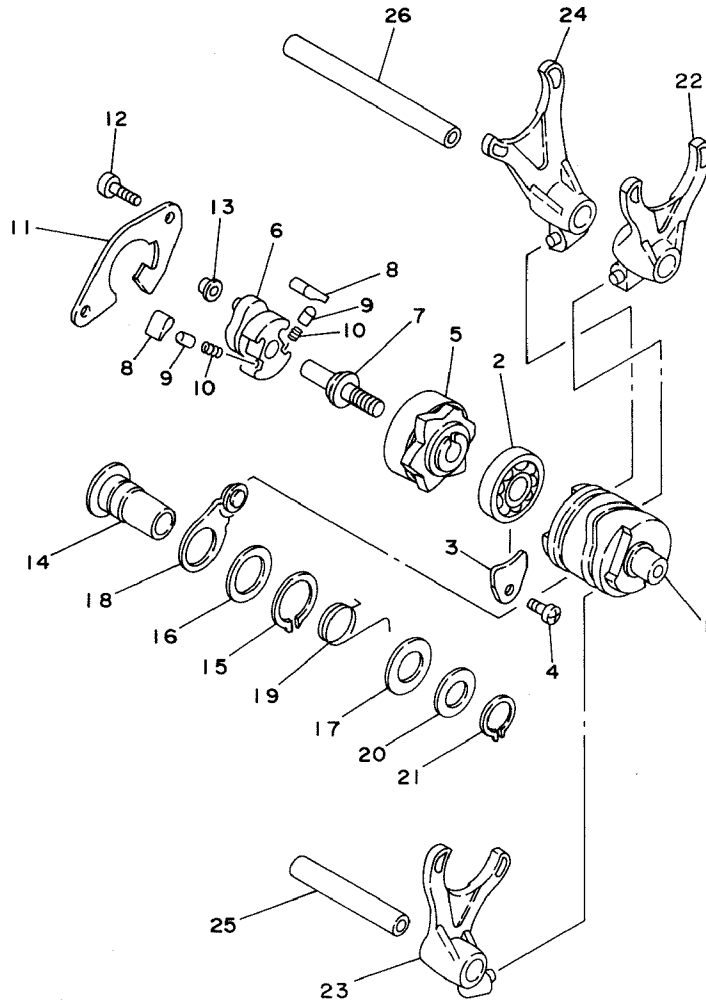


REF. NO.	PART NO.	DESCRIPTION	Q'TY	REMARKS
22	3YL-17251-00	GEAR, 5TH WHEEL (26T)	1	
23	3YL-17261-10	GEAR, 6TH WHEEL (22T)	1	STD
	3YL-17261-00	GEAR, 6TH WHEEL (20T)	1	UR
24	5F7-17136-00	WASHER (0.7T)	2	UN
	90209-22082	WASHER (0.5T)	2	UN
25	93306-20562	BEARING	1	
26	93306-20470	BEARING	1	
27	2K7-15383-00	PLATE, BEARING COVER	1	
28	90151-06041	SCREW, COUNTERSUNK	1	
29	93102-32M07	OIL SEAL	1	
30	3AK-17471-00	PLATE, COVER	1	
31	91317-05012	BOLT	2	
32	90387-250Y0	COLLAR	1	
33	93834-14178	SPROCKET, DRIVE 14T	1	STD
	93834-15077	SPROCKET, DRIVE 15T	1	UR
	93834-16099	SPROCKET, DRIVE 16T	1	UR
34	90215-21239	WASHER, LOCK	1	
35	90179-20255	NUT	1	

FWD
4DP2100-3120

C4

FIG. 13 SHIFT CAM. FORK



REF. NO.	PART NO.	DESCRIPTION	Q'TY	REMARKS
1	4DP-18540-00	SHIFT CAM ASSY	1	
2	93306-90302	BEARING	1	
3	3XV-18562-00	PLATE, STOPPER 2	1	
4	90157-05106	SCREW, PAN HEAD	1	
5	3YL-18185-00	SEGMENT	1	
6	3XV-18122-00	LEVER, SHIFT 2	1	
7	3XV-18173-00	PIN, SHIFT	1	
8	3YL-18182-00	PAWL, SHIFTER	2	
9	3YL-18184-01	PIN, PAWL	2	
10	90501-05265	SPRING, COMPRESSION	2	
11	3XV-18172-00	GUIDE, SHIFT	1	
12	91318-06014	BOLT	2	
13	3XJ-18178-00	ROLLER, SHIFT LEVER	1	
14	90387-127V3	COLLAR	1	
15	99009-17400	CIRCLIP	1	
16	90201-177G4	WASHER, PLATE	1	
17	90201-154E8	WASHER, PLATE	1	
18	3XV-18140-00	STOPPER LEVER ASSY	1	
19	90508-231A5	SPRING, TORSION	1	
20	90201-127E1	WASHER, PLATE	1	
21	99009-12400	CIRCLIP	1	
22	4DP-18511-00	FORK, SHIFT 1	1	
23	4DP-18512-00	FORK, SHIFT 2	1	
24	4DP-18513-00	FORK, SHIFT 3	1	
25	4DP-18531-01	BAR, SHIFT FORK GUIDE 1	1	
26	3XV-18535-00	BAR, SHIFT FORK GUIDE 2	1	

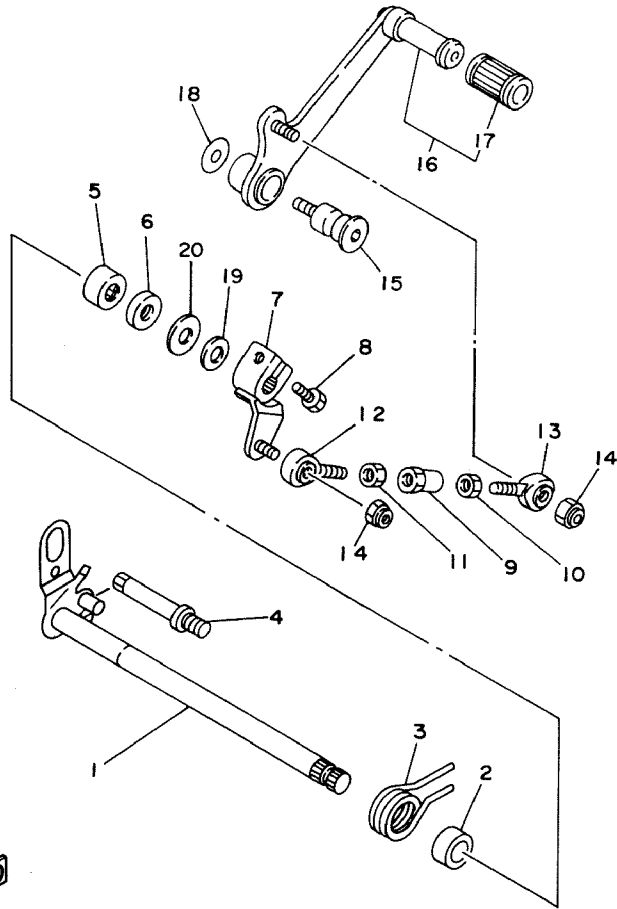


3YLI 100-1130

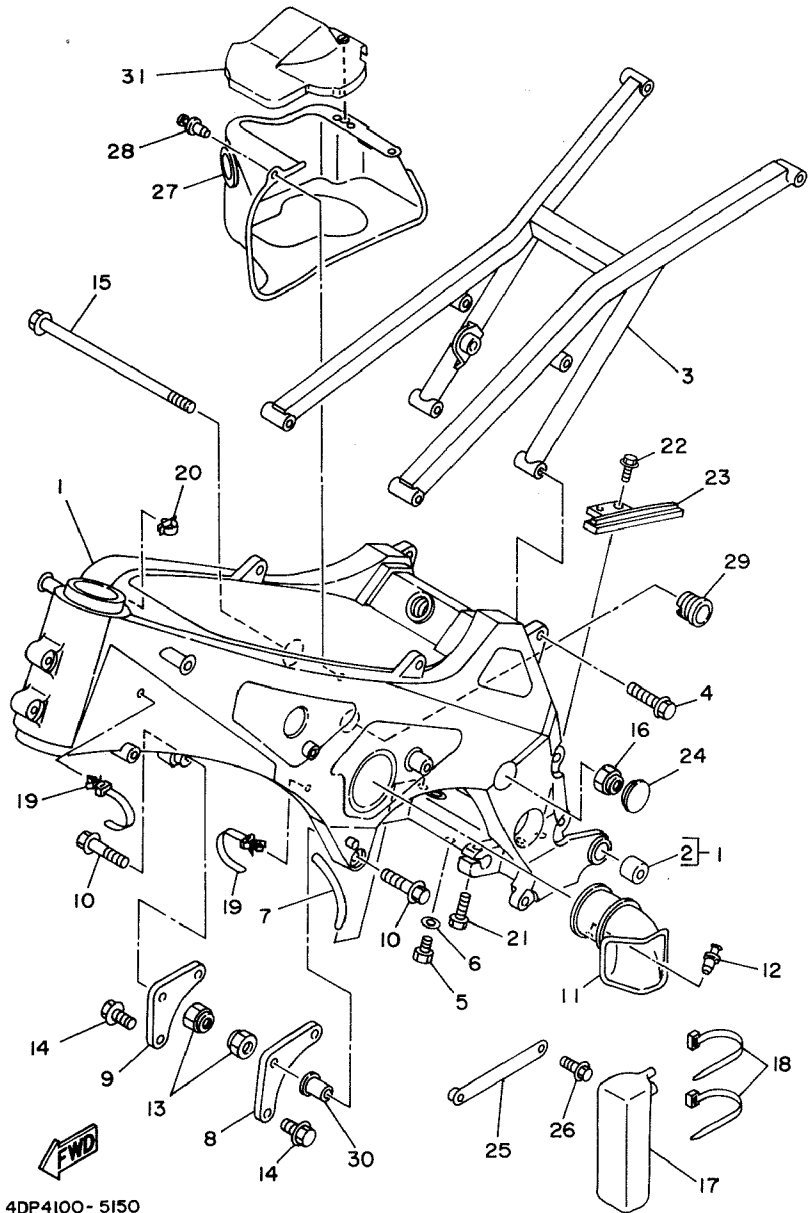
C5

FIG. 14 SHIFT SHAFT

REF. NO.	PART NO.	DESCRIPTION	Q'TY	REMARKS
1	4DP-18101-00	SHIFT SHAFT ASSY	1	
2	90560-12361	SPACER	1	
3	90508-29742	SPRING, TORSION	1	
4	3MA-18127-00	STOPPER, SCREW	1	
5	90380-12214	BUSH, SOLID	1	
6	93102-12106	OIL SEAL	1	
7	4DP-18112-00	ARM, SHIFT	1	
8	97017-06020	BOLT	1	
9	5F7-18115-00	ROD, SHIFT	1	
10	90170-06228	NUT (COUNTER CLOCKWISE)	1	
11	95304-06700	NUT	1	
12	5F7-18116-00	JOINT, ROD 1	1	
13	5F7-18117-00	JOINT, ROD 2	1	
14	95607-06100	NUT, U	2	
15	90109-087F6	BOLT	1	
16	4DP-18110-00	SHIFT PEDAL ASSY	1	
17	3FV-18113-00	COVER, SHIFT PEDAL	1	
18	90201-087F0	WASHER, PLATE	1	
19	90560-12075	SPACER	1	
20	90201-12588	WASHER, PLATE	1	



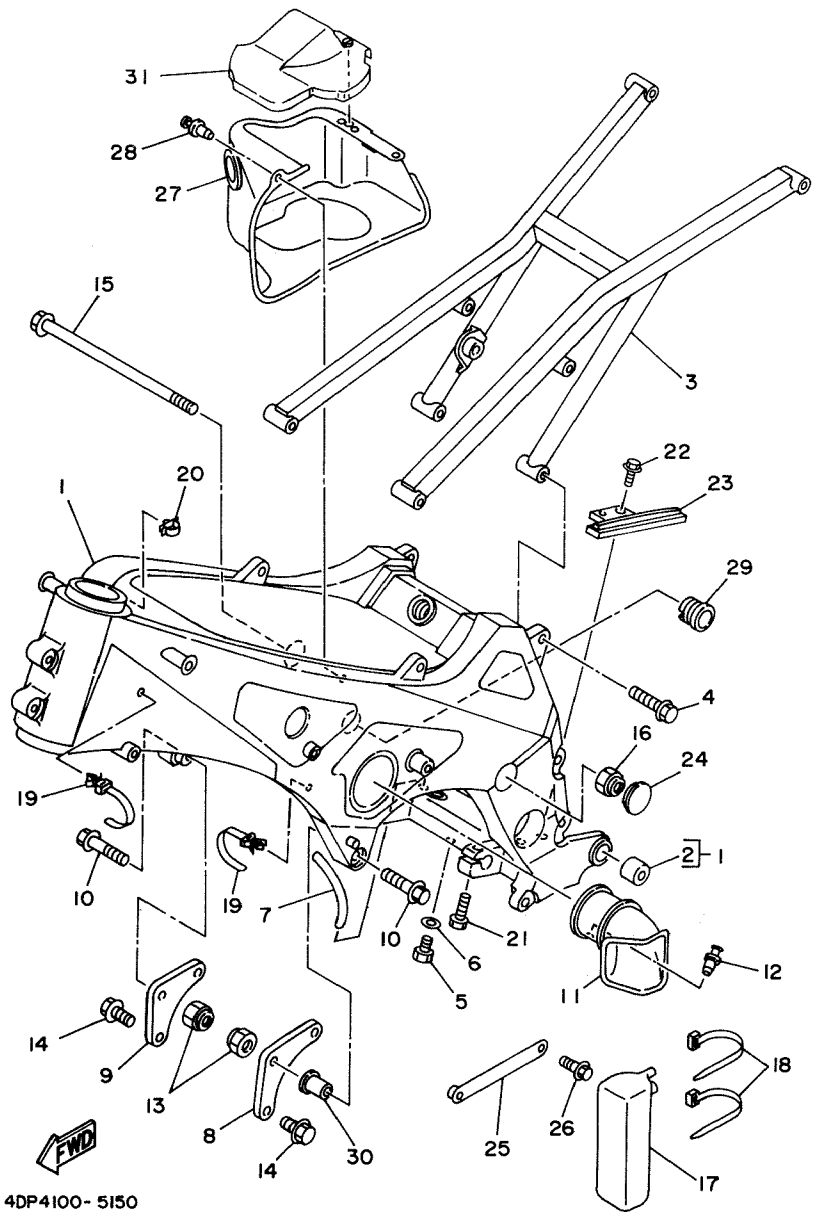
4DP2100-3140



4DP4100- 5150

FIG. 15 FRAME

REF. NO.	PART NO.	DESCRIPTION	Q'TY	REMARKS
1	4DP-21110-21	FRAME COMP.	1	
2	36Y-27414-00	.DAMPER, FOOTREST	1	
3	4DP-21190-00	REAR FRAME COMP.	1	
4	90109-08718	BOLT	4	
5	90338-06041	PLUG	1	
6	90430-06166	GASKET	1	
7	90445-093H6	HOSE	1	
8	4DP-21411-00	BRACKET, ENGINE 1	1	
9	4DP-21419-00	BRACKET, ENGINE 2	1	
10	90105-10316	BOLT, WASHER BASED	2	
11	4DP-2135H-00	PIPE, INLET	1	
12	90269-05049	RIVET	1	
13	95617-10200	NUT, SELF-LOCKING	2	
14	95027-08020	BOLT	4	
15	90105-10227	BOLT, WASHER BASED	2	
16	90179-10594	NUT	2	
17	3YL-21751-00	TANK, OIL	1	
18	90464-14117	CLAMP	3	
19	90464-12089	CLAMP	2	
20	90464-25160	CLAMP	2	
21	95027-06025	BOLT	2	
22	90119-05071	BOLT, WITH WASHER	2	
23	3YL-22151-00	SEAL, GUARD	1	
24	90338-24177	PLUG	2	
25	4DP-2117A-10	STAY	1	
26	95027-06016	BOLT	1	
27	4DP-21642-00	GUARD, FLAP	1	
28	90269-05049	RIVET	2	

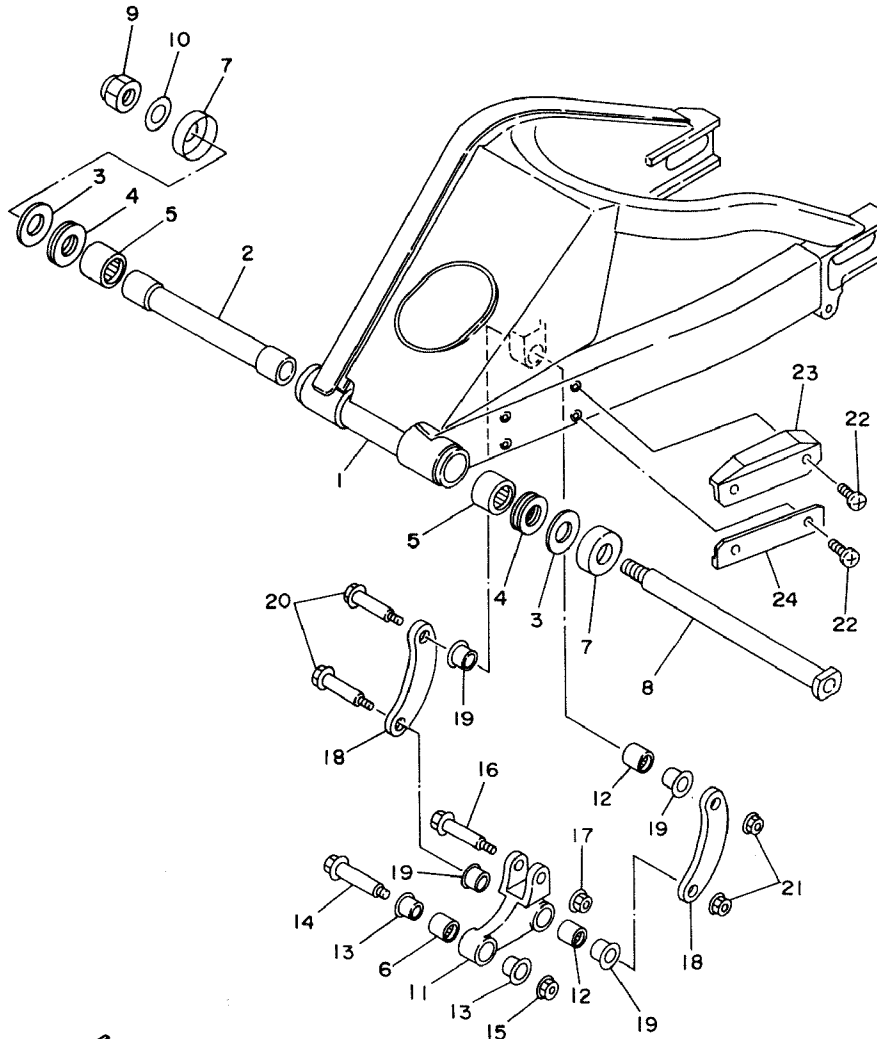


4DP4100- 5150

FIG. 15 FRAME

REF. NO.	PART NO.	DESCRIPTION	Q'TY	REMARKS
29	4DP-21495-00	BOLT, ENGINE ADJUSTING	1	
30	90387-105U6	COLLAR	1	
31	4DP-2160F-10	LID	1	AP

FIG. 16 REAR ARM



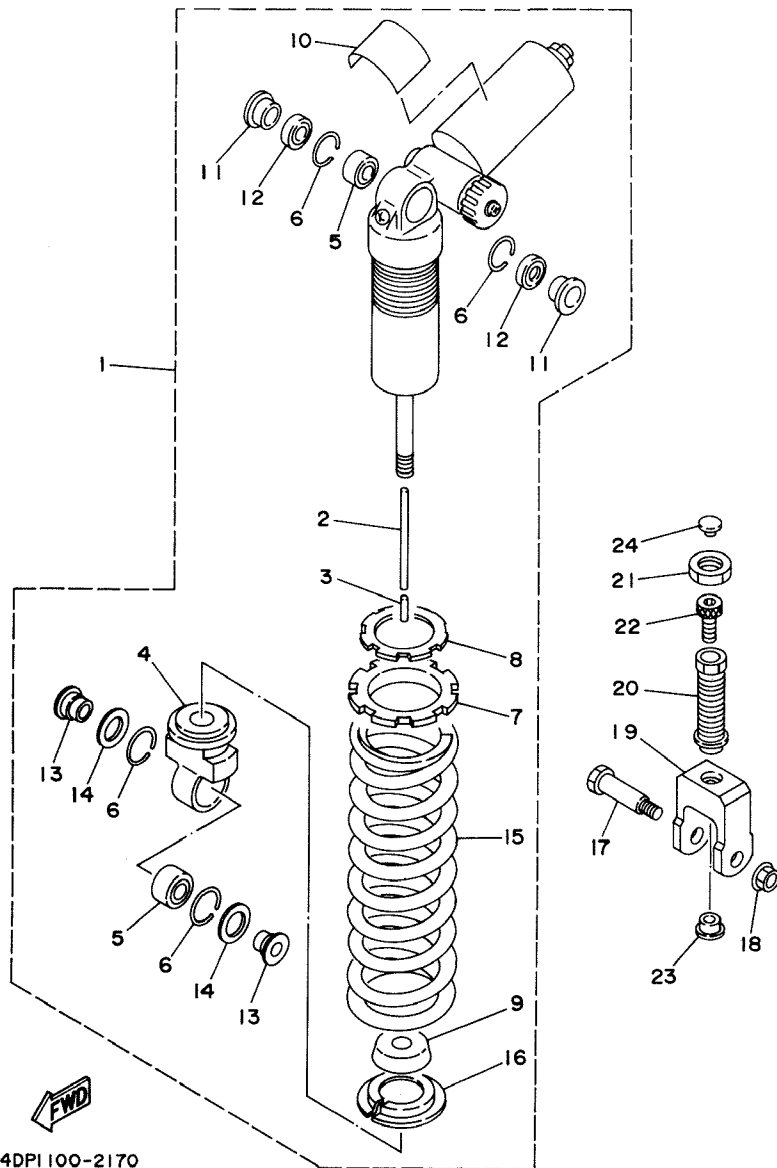
REF. NO.	PART NO.	DESCRIPTION	Q'TY	REMARKS
1	4DP-22110-02	REAR ARM COMP.	1	
2	3XV-22184-00	BUSH	1	
3	1X2-22127-00-20	SHIM (0.2T)	2	UN
4	93342-22502	BEARING, THRUST	2	
5	93315-42523	BEARING, CYLINDRICAL	2	
6	93320-21507	BEARING	1	
7	3FV-22128-00	COVER, THRUST 1	2	
8	3MA-22141-01	SHAFT, PIVOT	1	
9	90185-18104	NUT, SELF-LOCKING	1	
10	90201-18264	WASHER, PLATE	1	
11	4DP-2217A-00	ARM, RELAY	1	
12	93320-21507	BEARING	2	
13	90387-124Y8	COLLAR	2	
14	90101-10709	BOLT	1	
15	95617-10200	NUT, SELF-LOCKING	1	
16	90101-10709	BOLT	1	
17	95617-10200	NUT, SELF-LOCKING	1	
18	4DP-2217F-01	ROD, CONNECTING 1	2	
19	90387-124Y8	COLLAR	4	
20	90101-10709	BOLT	2	
21	95617-10200	NUT, SELF-LOCKING	2	
22	98907-06020	SCREW, BIND	4	
23	3YL-22147-00	PROTECTOR, CHAIN	1	
24	3TC-22147-00	PROTECTOR, CHAIN	1	



4DP4100-5160

C9

FIG. 17 REAR SUSPENSION

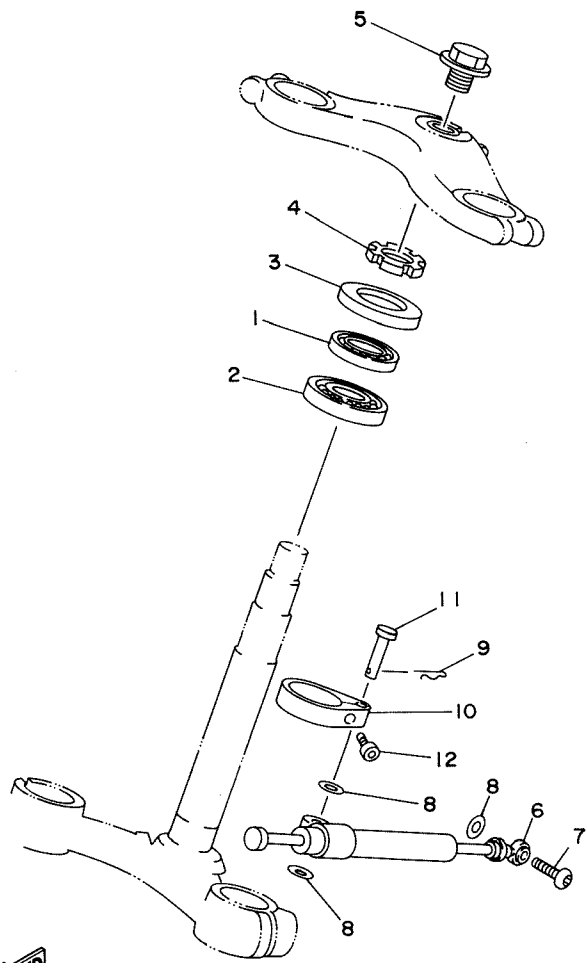


4DPI 100-2170

REF. NO.	PART NO.	DESCRIPTION	Q'TY	REMARKS
1	4DP-22210-21	SHOCK ABSORBER ASSY, REAR	1	
2	4DP-22489-00	.ROD, PUSH	1	
3	93605-20204	.PIN, DOWEL	1	
4	4DP-22219-00	.BRACKET, UPPER	1	
5	93399-99935	.BEARING	2	
6	93440-30113	.CIRCLIP	4	
7	1KH-22223-00	.SEAT, SPRING LOWER	1	
8	1RK-22215-00	.RING, COVER	1	
9	3AK-22493-00	.BUMP, STOP	1	
10	4AA-22259-00	.LABEL, WARNING	1	UR FOR U.S.A./CANADA
	4AA-22259-10	.LABEL, WARNING	1	UR FOR CANADA
	4AA-22259-20	.LABEL, WARNING	1	UR FOR JAPAN
	4AA-22259-40	.LABEL, WARNING	1	UR FOR EUROPE/OCEANIA
11	3YL-22253-00	.COLLAR, DISTANCE	2	
12	23X-22211-00	.COVER	2	
13	4DP-22253-00	.COLLAR, DISTANCE	2	
14	4DP-22211-00	.COVER	2	
15	4DP-22212-00	.SPRING	1	
16	22W-22214-01	.GUIDE, SPRING 1	1	
17	90101-10709	BOLT	1	
18	95617-10200	NUT, SELF-LOCKING	1	
19	3FV-22219-00	BRACKET, UPPER	1	
20	4DP-22239-00	ADJUSTER	1	
21	1RK-22251-00	NUT 1	1	
22	91317-10020	BOLT	1	
23	3AK-22252-00	NUT	1	
24	90480-14153	GROMMET	1	

FIG. 18 STEERING

REF. NO.	PART NO.	DESCRIPTION	Q'TY	REMARKS
1	93332-00001	BEARING	1	
2	93332-00008	BEARING	1	
3	1J7-23415-00	COVER, BALL RACE 1	1	
4	90179-25033	NUT	1	
5	2KM-23451-00	BOLT, FITTING 1	1	
6	4JT-23490-00	HANDLEBAR SHIMMY DAMPER ASSY	1	
7	92017-08025	SCREW	1	
8	90201-08455	WASHER, PLATE	3	
9	90468-16099	CLIP	1	
10	3YL-23495-00	STAY, DAMPER	1	
11	91701-08042	PIN, CLEVIS	1	
12	91317-06025	BOLT	1	

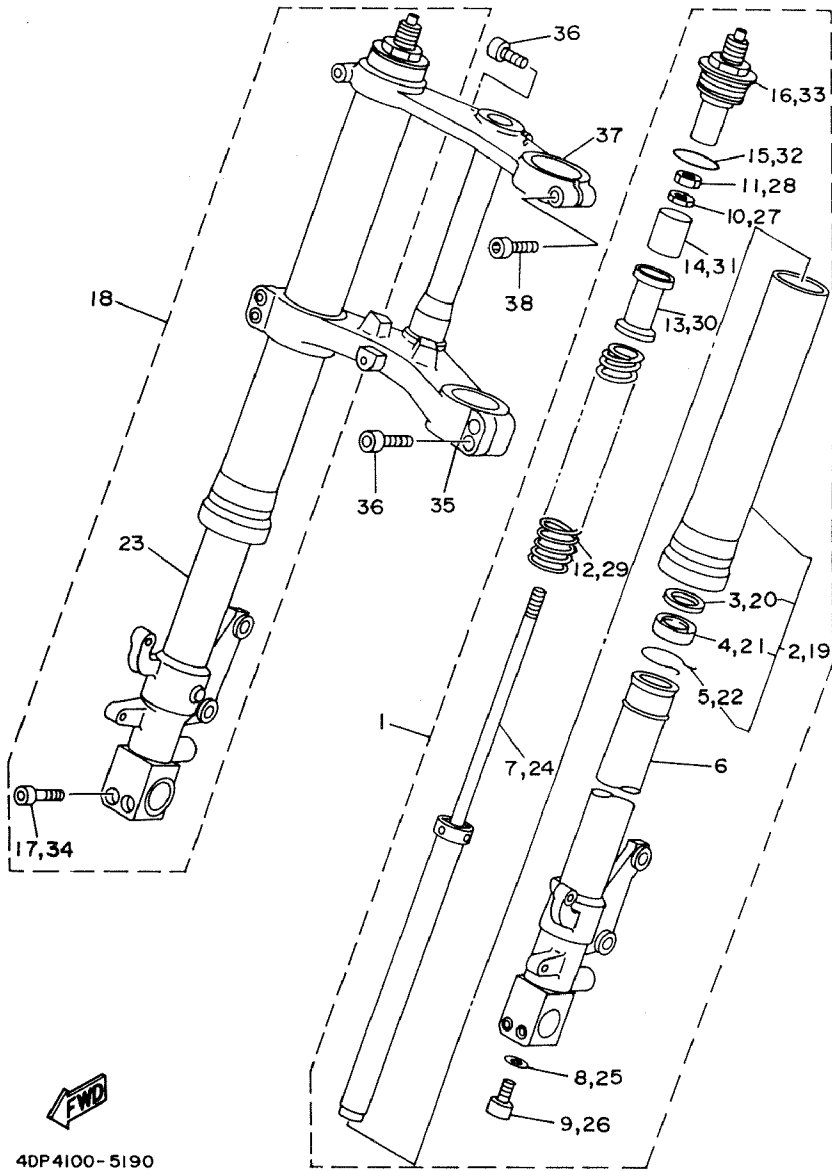


FWD
4DPI100-2180

C11

FIG. 19 FRONT FORK

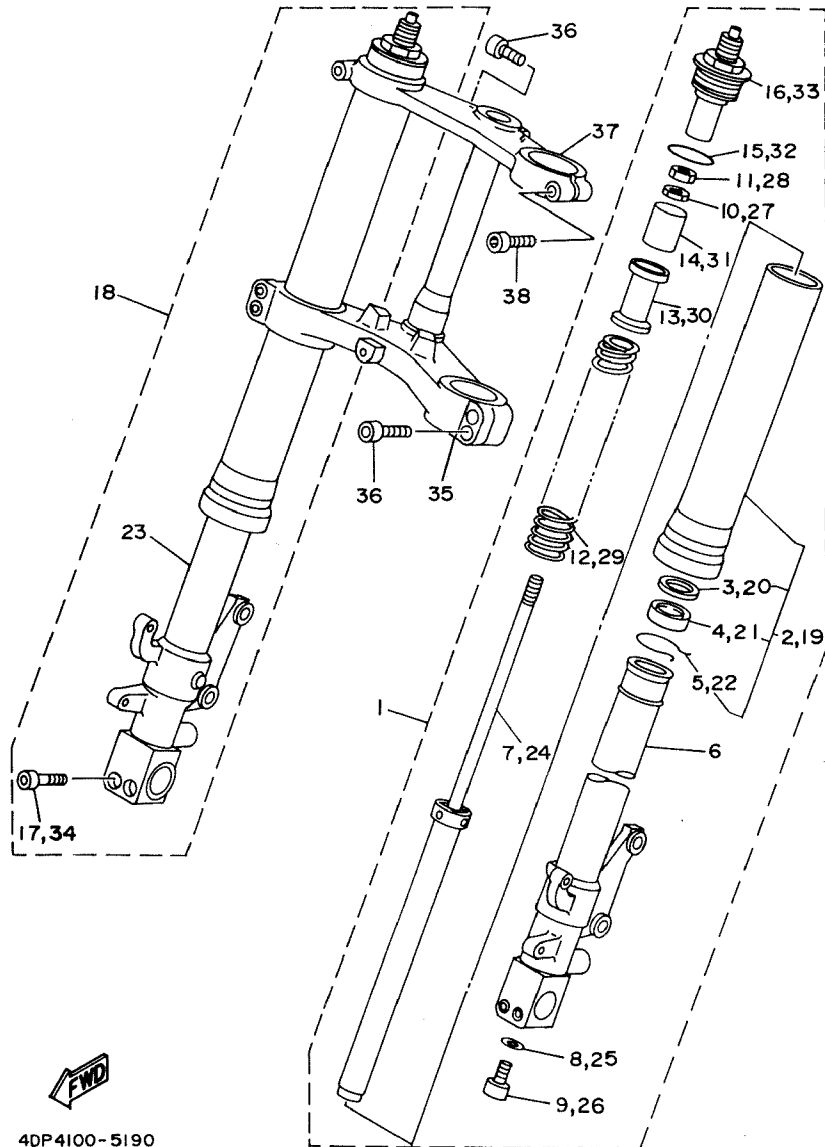
REF. NO.	PART NO.	DESCRIPTION	Q'TY	REMARKS
1	4DP-23102-01	FRONT FORK ASSY (L.H)	1	
2	4DP-23136-00	.TUBE, OUTER (RIGHT)	1	
3	36Y-23146-10	..WASHER, OIL SEAL	1	
4	3SP-23145-L0	..OIL SEAL	1	
5	26H-23156-00	..CLIP, OIL SEAL	1	
6	4DP-23110-00	.INNER TUBE COMP. 1	1	
7	4DP-23170-00	.CYLINDER COMP., FRONT FORK	1	
8	2K8-23158-L0	.GASKET	1	
9	3LC-23181-00	.BOLT, HEXAGON SOCKET HEAD	1	
10	4DP-23357-00	.NUT	1	
11	3LC-23357-00	.NUT	1	
12	3YL-23141-00	.SPRING, FRONT FORK	1	
13	4DP-23142-00	.SEAT, SPRING UPPER	1	
14	4DP-23118-00	.SPACER	1	
15	3SP-23147-M0	.O-RING	1	
16	4DP-23111-00	.BOLT, CAP	1	
17	91311-06040	.BOLT	2	
18	4DP-23103-01	FRONT FORK ASSY (R.H)	1	
19	4DP-23136-00	.TUBE, OUTER (RIGHT)	1	
20	36Y-23146-10	..WASHER, OIL SEAL	1	
21	3SP-23145-L0	..OIL SEAL	1	
22	26H-23156-00	..CLIP, OIL SEAL	1	
23	4DP-23120-00	.INNER TUBE COMP. 2	1	
24	4DP-23170-00	.CYLINDER COMP., FRONT FORK	1	
25	2K8-23158-L0	.GASKET	1	
26	3LC-23181-00	.BOLT, HEXAGON SOCKET HEAD	1	
27	4DP-23357-00	.NUT	1	
28	3LC-23357-00	.NUT	1	



4DP4100-5190

C12

FIG. 19 FRONT FORK



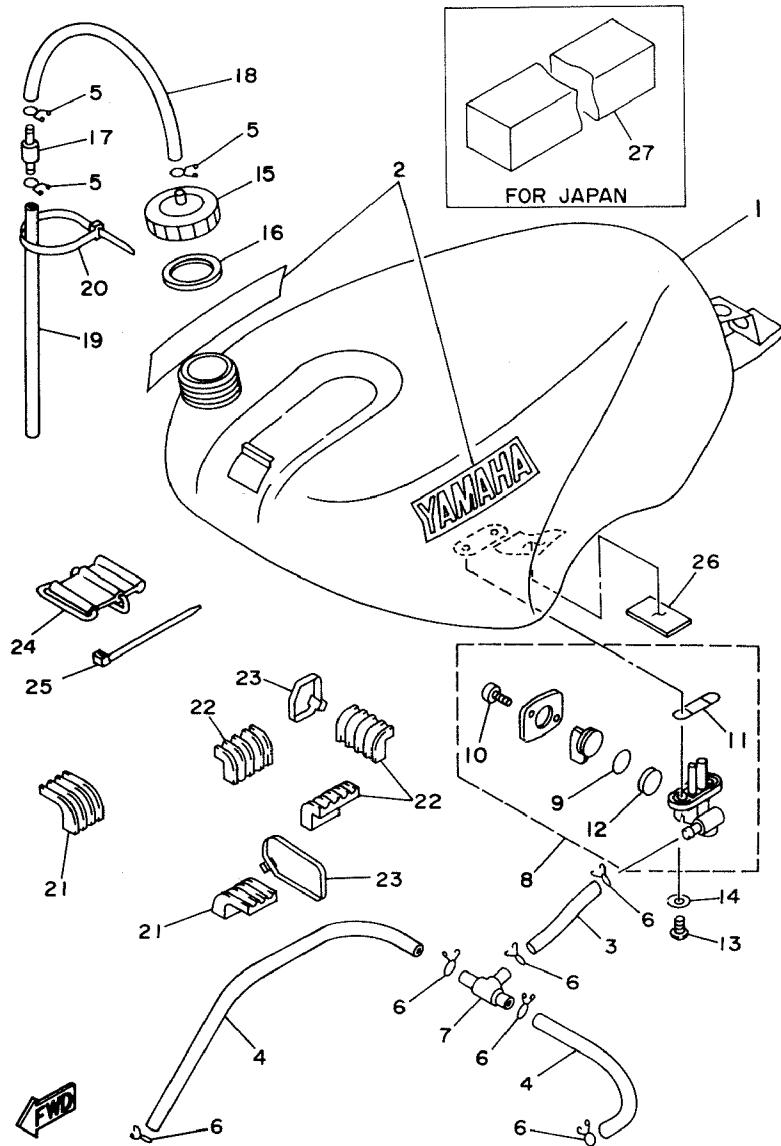
REF. NO.	PART NO.	DESCRIPTION	Q'TY	REMARKS
29	3YL-23141-00	.SPRING, FRONT FORK	1	
30	4DP-23142-00	.SEAT, SPRING UPPER	1	
31	4DP-23118-00	.SPACER	1	
32	3SP-23147-M0	.O-RING	1	
33	4DP-23111-00	.BOLT, CAP	1	
34	91311-06040	.BOLT	2	
35	3YL-23340-00	UNDER BRACKET COMP.	1	
36	3TC-23471-00	BOLT	5	
37	4DP-23435-00	CROWN, HANDLE	1	
38	90110-08071	BOLT, HEXAGON SOCKET HEAD	2	



4DP4100-5190

C13

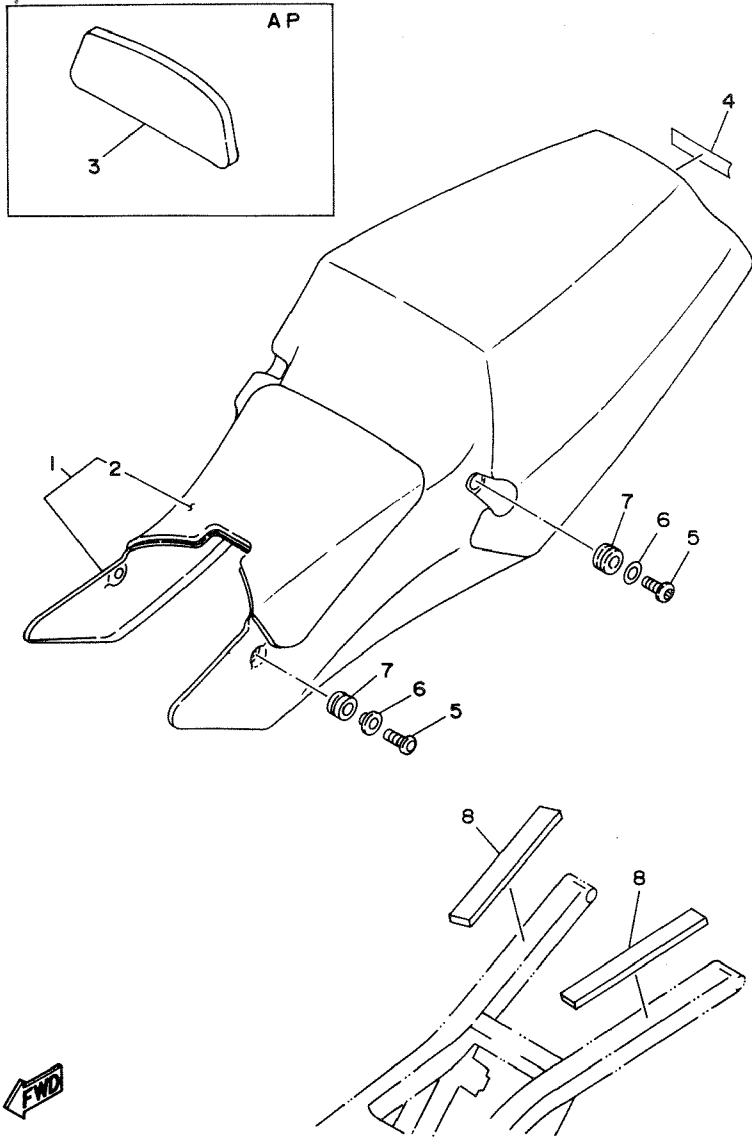
FIG. 20 FUEL TANK



REF. NO.	PART NO.	DESCRIPTION	Q'TY	REMARKS
1	4DP-24110-00-36	FUEL TANK COMP.	1	WHITE
2	99237-00180	EMBLEM, YAMAHA	2	
3	90445-112E9	HOSE	1	
4	90445-11182	HOSE	2	
5	90467-09006	CLIP	3	
6	90467-10008	CLIP	6	
7	1X2-24376-00	JOINT, FUEL PIPE	1	
8	4DP-24500-00	FUEL COCK ASSY 1	1	
9	3AJ-24534-00	.SEAL, COCK	1	
10	98503-03008	.SCREW, PAN HEAD	2	
11	4X8-24512-00	.O-RING	1	
12	3AJ-24523-00	.VALVE	1	
13	90149-06011	SCREW	2	
14	90202-05187	WASHER, PLATE	2	
15	2A6-24611-00	BODY, CAP	1	
16	1W1-24612-00	GASKET, CAP	1	
17	3XJ-24380-00	PIPE JOINT ASSY	1	
18	91A20-05020	TUBE, FLEXIBLE VINYL	1	
19	91A20-05095	TUBE, FLEXIBLE VINYL	1	
20	90465-13169	CLAMP	1	
21	4DP-24181-00	DAMPER, LOCATING 1	2	
22	1RK-24182-00	DAMPER, LOCATING 2	3	
23	90464-14117	CLAMP	5	
24	3YL-24173-01	BAND, TANK FITTING 1	1	
25	80L-26397-00	BAND	1	
26	5H0-8235Y-M0	DAMPER	1	
27	4JT-2411R-00	PLATE, BAFFLE	1	AP FOR JAPAN

4DP3100-4200

FIG. 21 SEAT



REF. NO.	PART NO.	DESCRIPTION	Q'TY	REMARKS
1	4DP-24710-20	SINGLE SEAT ASSY	1	
2	4DP-24713-00	.CUSHION	1	
3	3YL-24733-00	CUSHION	1	AP
4	99237-00100	EMBLEM, YAMAHA	1	
5	92017-06025	SCREW	4	
6	90387-062L2	COLLAR	4	
7	90480-13018	GROMMET	4	
8	4A0-83541-00	DAMPER, SEAT	2	

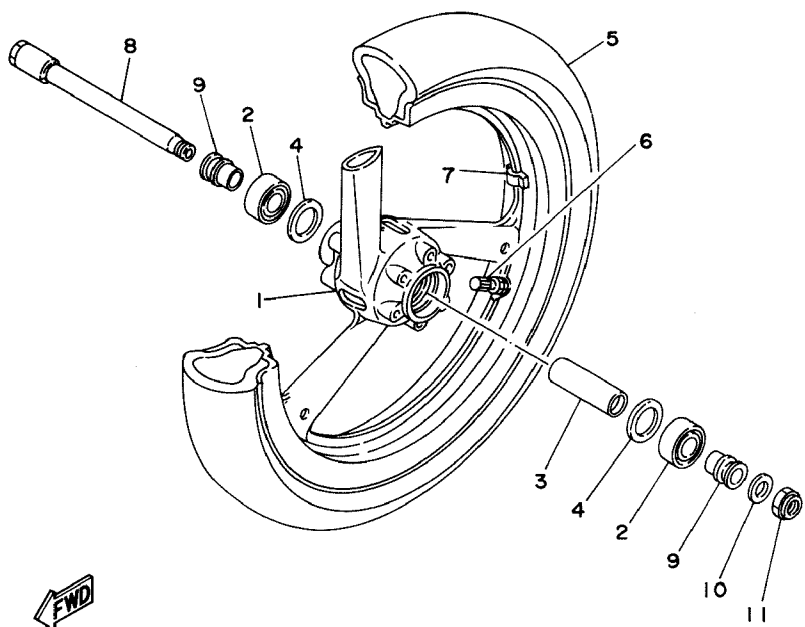
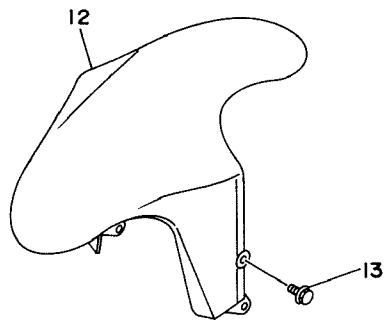


4DP3100-4210

C15

FIG. 22 FRONT WHEEL

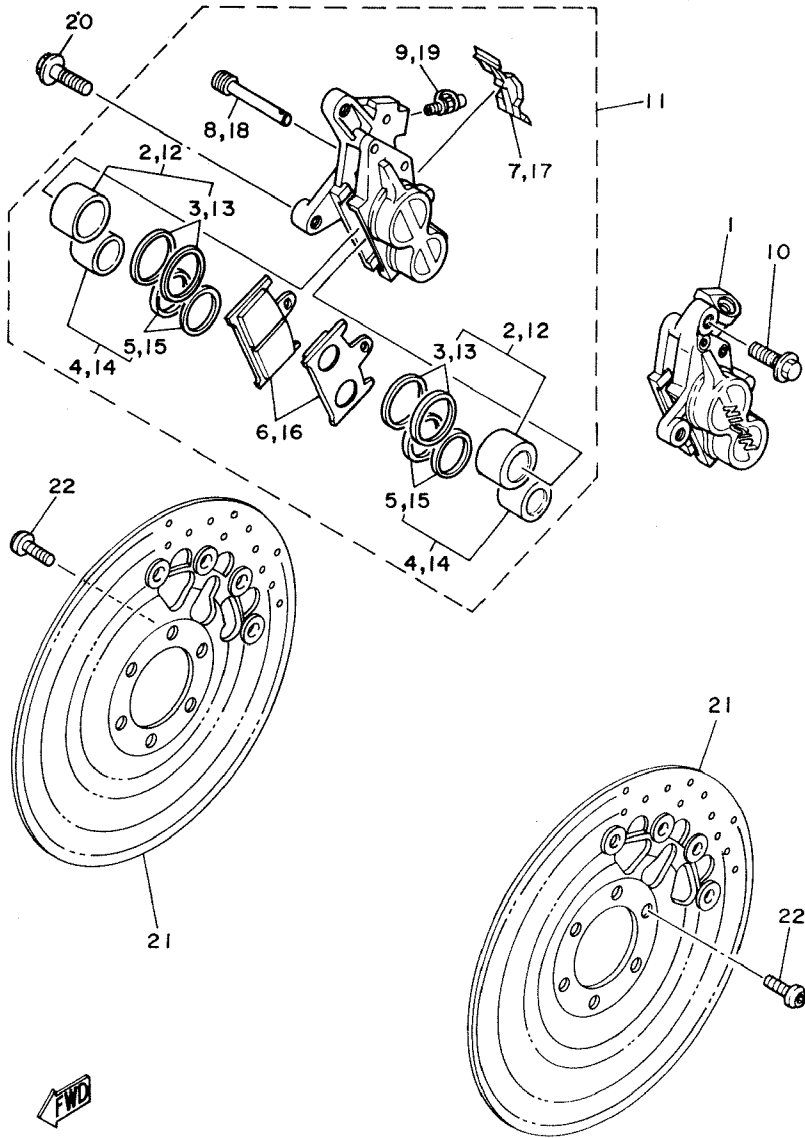
REF. NO.	PART NO.	DESCRIPTION	Q'TY	REMARKS
1	4DP-25168-20-UA	CAST WHEEL, FRONT	1	CAST WHEEL WHITE
2	93306-00507	BEARING (B6005)	2	
3	4DP-25117-00	SPACER, BEARING	1	
4	4DP-2518A-00	PLATE, FITTING	2	
5	94132-1701H	TIRE (3.25/4.70 R17 KR149)	1	DUNLOP
6	93900-00003	VALVE, RIM	1	DUNLOP
7	29L-25398-00	BALANCER, WHEEL (10G)	1	UN
	29L-25398-10	BALANCER, WHEEL (20G)	1	UN
	29L-25398-20	BALANCER, WHEEL (30G)	1	UN
8	4DP-25181-10	AXLE, WHEEL	1	
9	4DP-25183-00	COLLAR, WHEEL	2	
10	90201-18262	WASHER	1	
11	90185-18104	NUT, SELF-LOCKING	1	
12	3YL-21510-00	FRONT FENDER COMP.	1	
13	95027-06012	BOLT	4	



4DPI100-2220

D2

FIG. 23 FRONT BRAKE CALIPER



REF. NO.	PART NO.	DESCRIPTION	Q'TY	REMARKS
1	4DP-2580T-10	CALIPER ASSY (LEFT)	1	
2	3FV-W0057-00	.PISTON ASSY, CALIPER	1	
3	3FV-W0047-00	..CALIPER SEAL KIT	1	
4	3FV-W0057-10	.PISTON ASSY, CALIPER	1	
5	3FV-W0047-10	..CALIPER SEAL KIT	1	
6	4DP-W0045-00	.BRAKE PAD KIT	1	
7	3FV-25919-00	.SUPPORT, PAD	1	
8	3FV-25924-00	.PIN, PAD	2	
9	36Y-W0048-00	.BLEED SCREW KIT	1	
10	90105-10725	BOLT, WASHER BASED	2	
11	4DP-2580U-10	CALIPER ASSY (RIGHT)	1	
12	3FV-W0057-00	.PISTON ASSY, CALIPER	1	
13	3FV-W0047-00	..CALIPER SEAL KIT	1	
14	3FV-W0057-10	.PISTON ASSY, CALIPER	1	
15	3FV-W0047-10	..CALIPER SEAL KIT	1	
16	4DP-W0045-00	.BRAKE PAD KIT	1	
17	3FV-25919-00	.SUPPORT, PAD	1	
18	3FV-25924-00	.PIN, PAD	2	
19	36Y-W0048-00	.BLEED SCREW KIT	1	
20	90105-10725	BOLT, WASHER BASED	2	
21	4DP-2581T-10	DISC BRAKE ASSY	2	
22	90109-08718	BOLT	6	

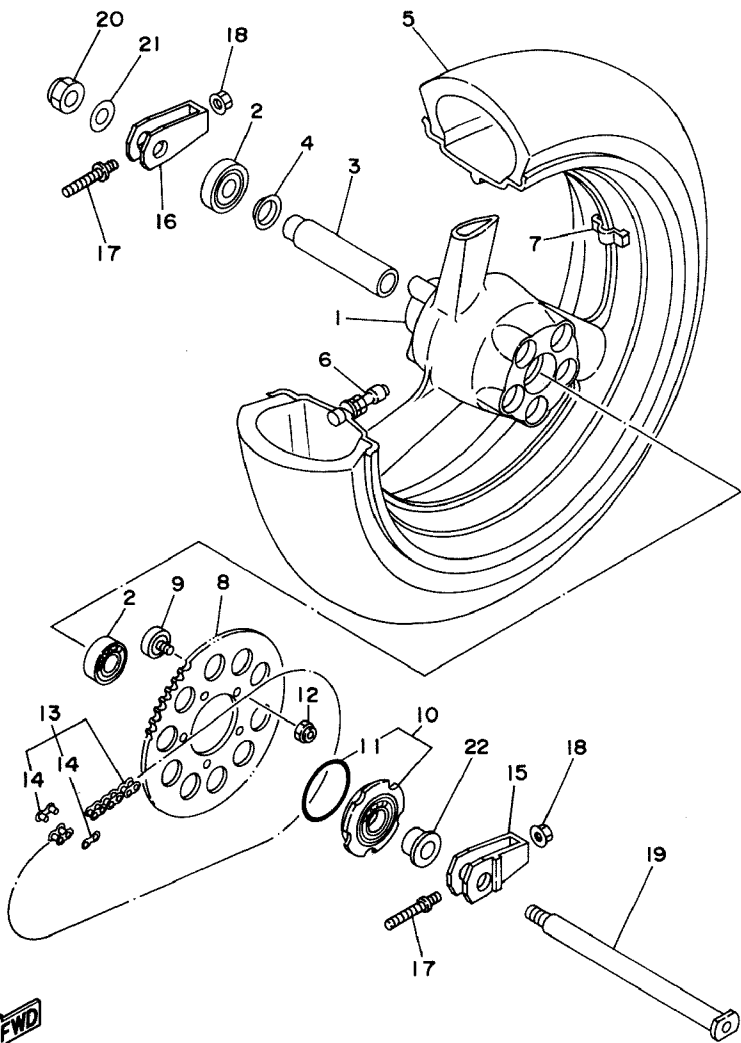


4DP2100-3230

D3

FIG. 24 REAR WHEEL

REF. NO.	PART NO.	DESCRIPTION	Q'TY	REMARKS
1	4DP-25338-10-UA	CAST WHEEL, REAR	1	CAST WHEEL WHITE
2	93306-20469	BEARING	2	
3	3YL-25317-00	SPACER, BEARING	1	
4	5Y9-25316-00	FLANGE, SPACER 2	1	
5	94116-1703A	TIRE (165/65 R17 KR133)	1	DUNLOP
6	93900-00003	VALVE, RIM	1	DUNLOP
7	29L-25398-00	BALANCER, WHEEL (10G)	1	UN
	29L-25398-10	BALANCER, WHEEL (20G)	1	UN
	29L-25398-20	BALANCER, WHEEL (30G)	1	UN
8	3YL-25435-00	SPROCKET, DRIVEN (35T)	1	STD
	3YL-25436-00	SPROCKET, DRIVEN (36T)	1	UR
	3YL-25437-00	SPROCKET, DRIVEN (37T)	1	UR
	3YL-25438-00	SPROCKET, DRIVEN (38T)	1	UR
	3YL-25439-00	SPROCKET, DRIVEN (39T)	1	UR
	3YL-25440-00	SPROCKET, DRIVEN (40T)	1	UR
9	3YL-25364-00	DAMPER	5	
10	4DP-25360-00	CLUTCH ASSY	1	
11	93210-69434	.O-RING	1	
12	90185-08089	NUT, SELF-LOCKING	5	
13	94561-42108	CHAIN (RK520TRZ5-108L)	1	
14	94661-42031	.JOINT, CHAIN	1	
15	4DP-25388-00	PULLER, CHAIN 1	1	
16	4DP-25389-00	PULLER, CHAIN 2	1	
17	4DP-25379-00	BOLT, CHAIN PULLAR	2	
18	95607-08200	NUT, SELF-LOCKING	2	
19	3MA-22141-01	SHAFT, PIVOT	1	
20	90185-18104	NUT, SELF-LOCKING	1	
21	90201-18262	WASHER, PLATE	1	

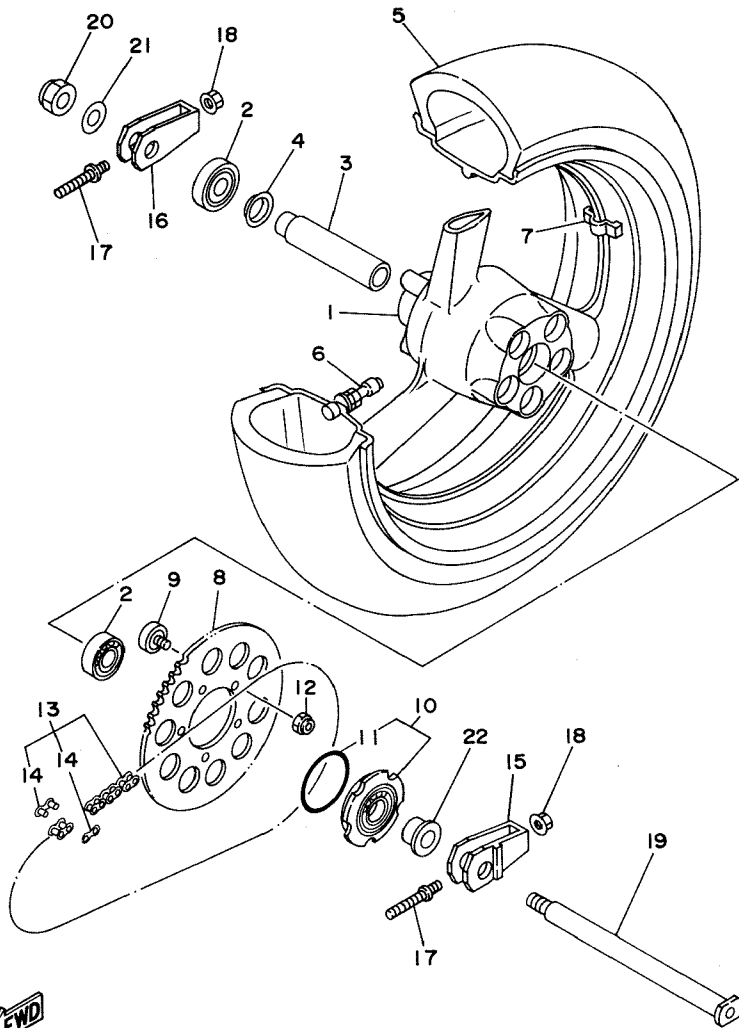


4DP1100-2240

D4

FIG. 24 REAR WHEEL

REF. NO.	PART NO.	DESCRIPTION	Q'TY	REMARKS
22	3YL-25376-00	COLLAR, WHEEL	1	

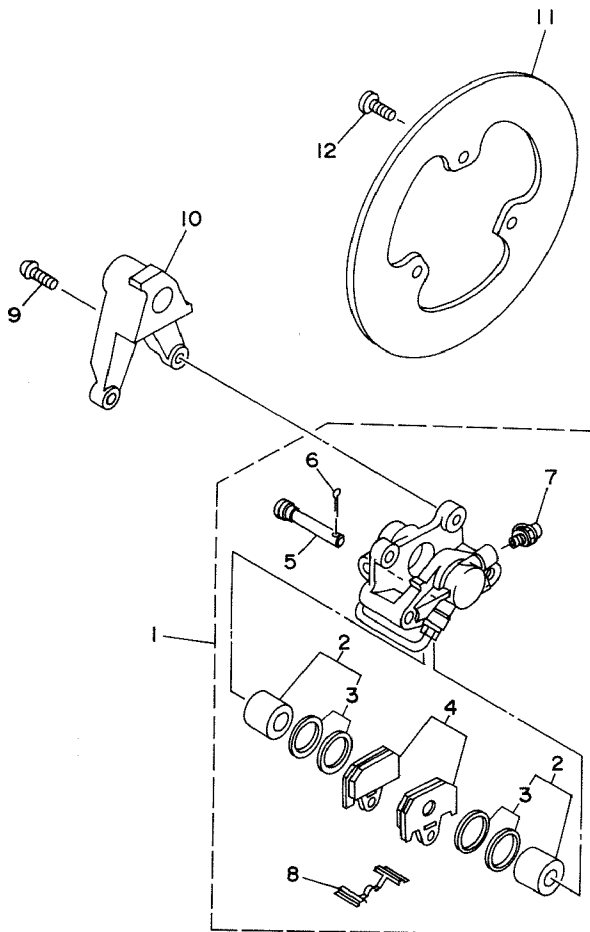


4DPI100-2240

D5

FIG. 25 REAR BRAKE CALIPER

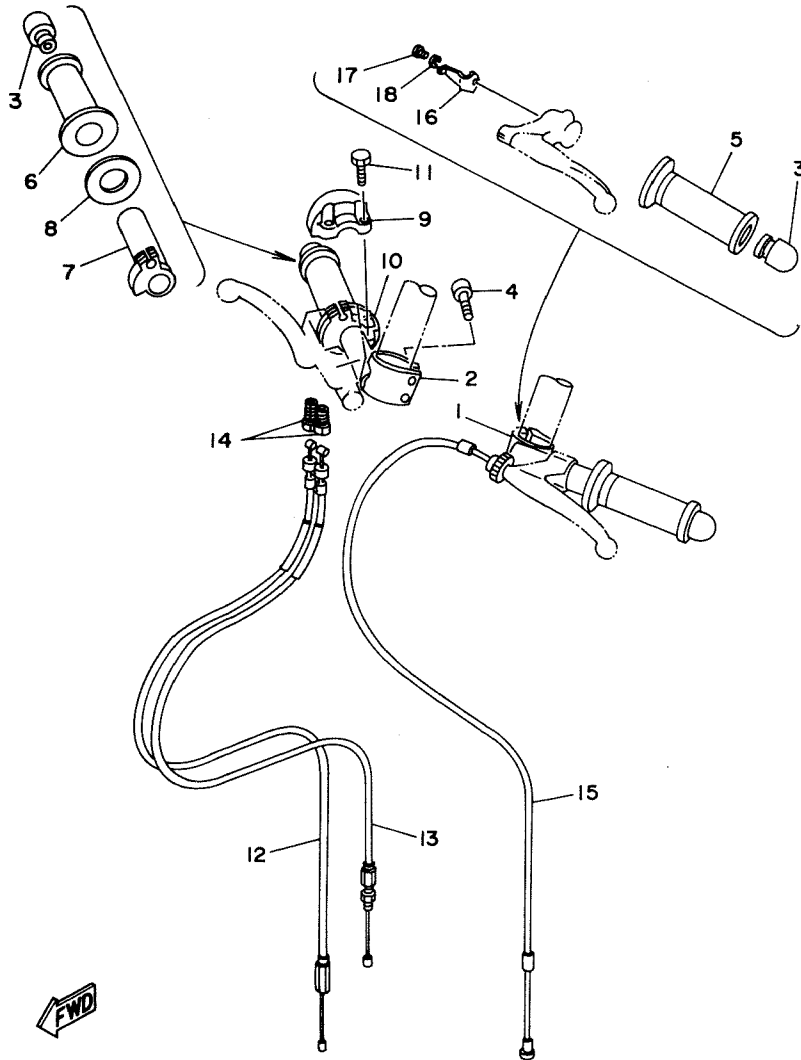
REF. NO.	PART NO.	DESCRIPTION	Q'TY	REMARKS
1	4JT-2580W-00	CALIPER ASSY, REAR 2	1	
2	4DP-W0057-00	.PISTON ASSY, CALIPER	1	
3	3LC-W0047-50	..CALIPER SEAL KIT	1	
4	4JT-W0046-00	.BRAKE PAD KIT, 2	1	
5	4JT-25924-00	.PIN, PAD	1	
6	91490-16020	.PIN, COTTER	1	
7	36Y-W0048-00	.BLEED SCREW KIT	1	
8	3LC-25919-50	.SUPPORT, PAD	1	
9	92017-08020	SCREW	2	
10	4DP-25819-00	BRACKET, CALIPER	1	
11	4DP-2582W-00	DISC, REAR BRAKE 2	1	
12	90149-08152	SCREW	3	



4JT2100-5250

D6

FIG. 26 STEERING HANDLE. CABLE

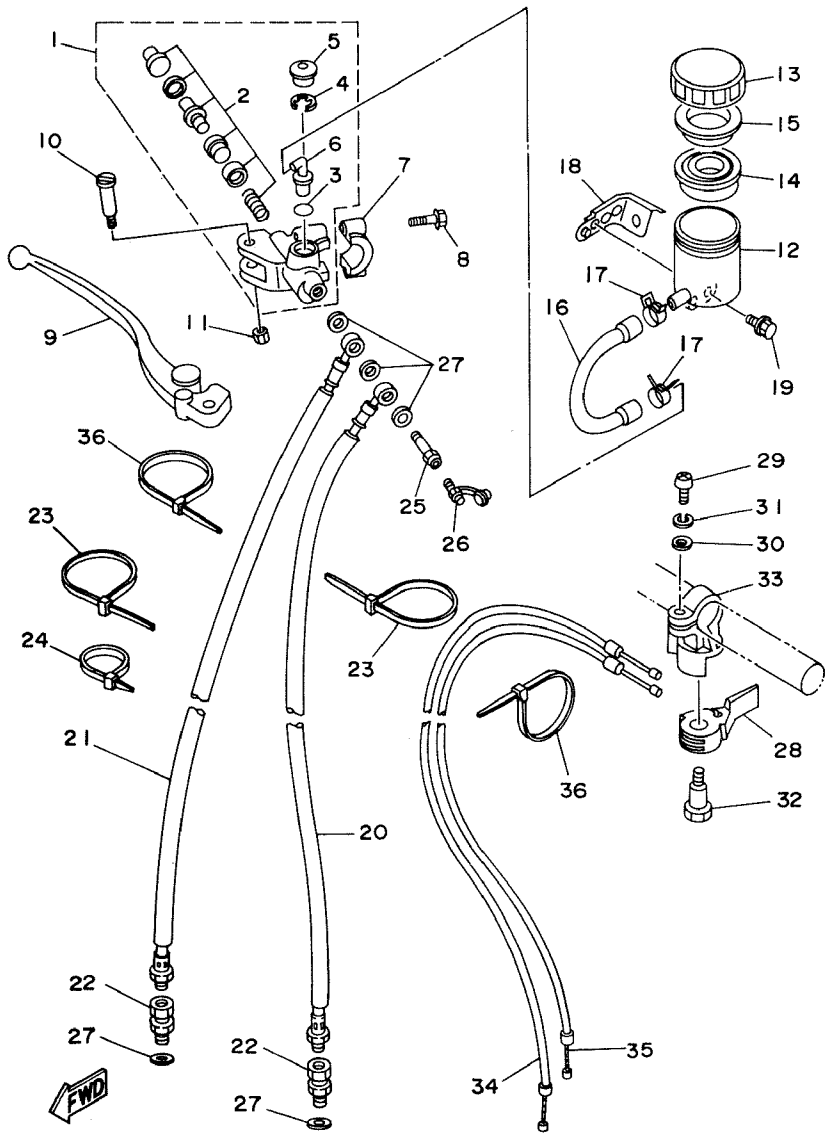


REF. NO.	PART NO.	DESCRIPTION	Q'TY	REMARKS
1	3YL-26121-00	HANDLEBAR (LEFT)	1	
2	3YL-26122-00	HANDLEBAR (RIGHT)	1	
3	3YL-26246-00	END, GRIP	2	
4	91317-06025	BOLT	4	
5	47X-26241-00	GRIP (LEFT)	1	
6	47X-26242-00	GRIP (RIGHT)	1	
7	3YL-26243-00	TUBE, THROTTLE GUIDE	1	
8	3Y1-26249-00	RING, LEAF	1	
9	3YL-26281-00	CAP, GRIP UPPER	1	
10	3YL-26282-00	CAP, GRIP LOWER	1	
11	91317-05020	BOLT	2	
12	4DP-26311-00	CABLE, THROTTLE 1	1	L=745
13	4DP-26312-00	CABLE, THROTTLE 2	1	L=658
14	90123-06007	BOLT	2	
15	4DP-26335-00	CABLE, CLUTCH	1	
16	5F6-26368-00	SPRING, LOCK	1	
17	98507-05008	SCREW, PAN HEAD	1	
18	92907-05100	WASHER, SPRING	1	


4DP2100-3260

D7

FIG. 27 FRONT MASTER CYLINDER

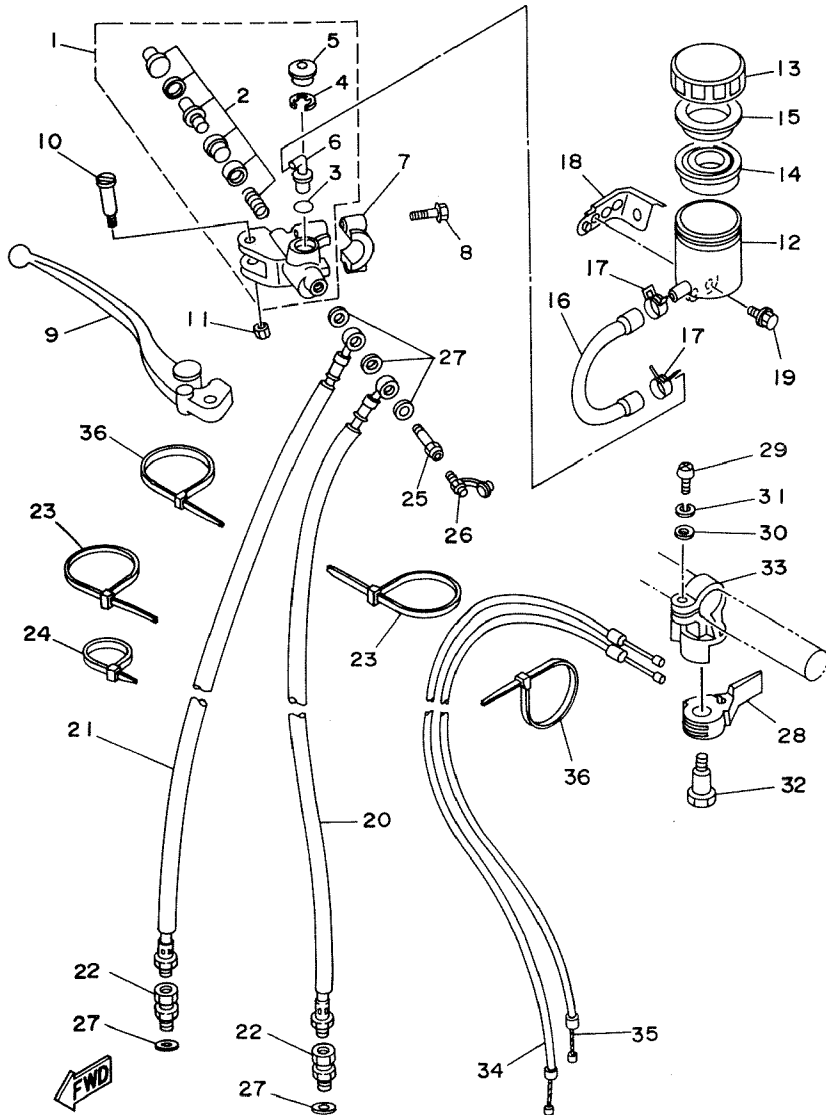


REF. NO.	PART NO.	DESCRIPTION	Q'TY	REMARKS
1	3FV-W2587-00	MASTER CYLINDER SUB ASSY	1	
2	4KO-W0041-50	.CYLINDER KIT, MASTER	1	
3	93210-15620	.O-RING	1	
4	2VN-25866-00	.CIRCLIP	1	
5	3FV-2589A-00	.COVER, DUST	1	
6	2VN-2582A-50	.JOINT	1	
7	56A-25867-00	BRACKET, MASTER CYLINDER	1	
8	95027-06025	BOLT, FLANGE	2	
9	3TJ-83922-01	LEVER 2	1	
10	3FV-2589F-00	BOLT, LEVER	1	
11	95617-06100	NUT, U	1	
12	3FV-25894-00	TANK, RESERVOIR	1	
13	3FV-25852-00	CAP, RESERVOIR	1	
14	3FV-25854-00	DIAPHRAGM, RESERVOIR	1	
15	2J2-25855-50	BUSH, DIAPHRAGM	1	
16	3YL-2582F-00	HOSE	1	
17	3PA-24356-00	CLIP, PIPE 1	2	
18	3YL-26292-00	STAY	1	
19	95817-06012	BOLT, FLANGE	1	
20	4DP-25872-00	HOSE, BRAKE 1	1	
21	4DP-25873-00	HOSE, BRAKE 2	1	
22	3LC-25885-00	JOINT	2	
23	90464-14117	CLAMP	2	
24	90465-13169	CLAMP	2	
25	90401-10142	BOLT, UNION	1	
26	36Y-W0048-00	BLEED SCREW KIT	1	
27	90201-10118	WASHER, PLATE	5	
28	240-83941-00	LEVER, STARTER	1	

4DP4100-5270

D8

FIG. 27 FRONT MASTER CYLINDER

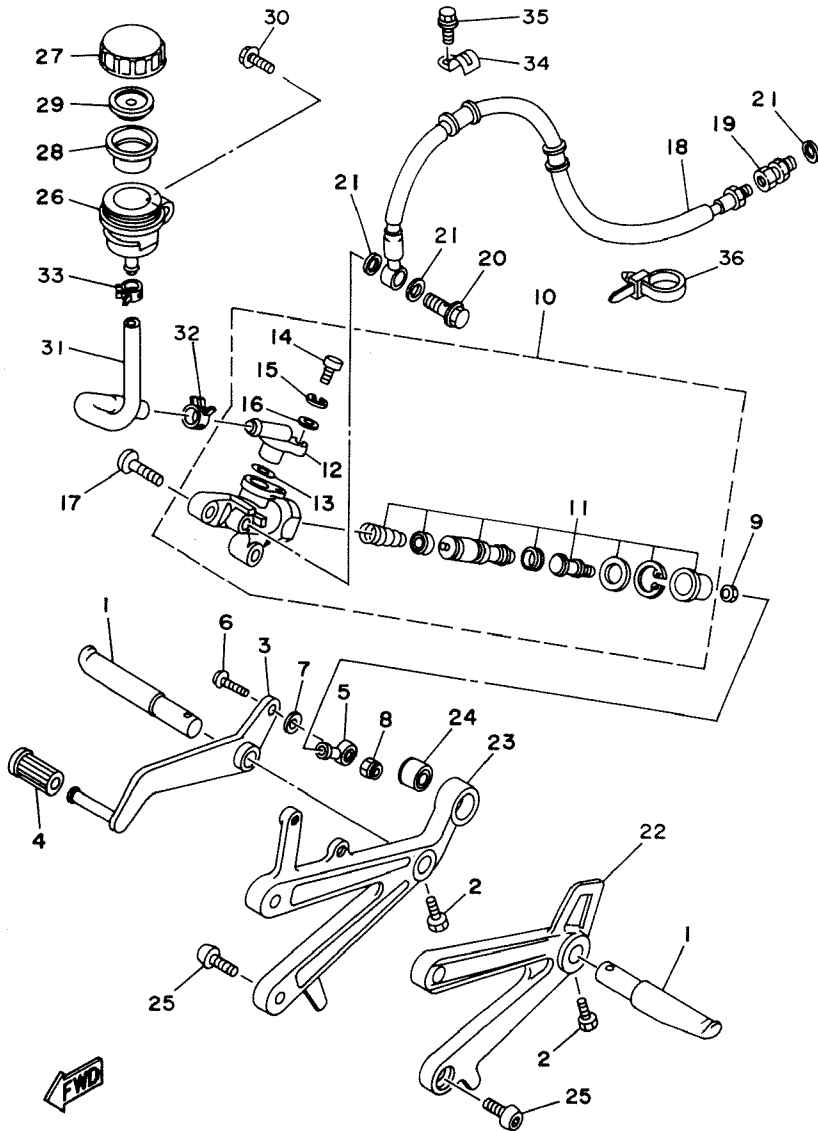


REF. NO.	PART NO.	DESCRIPTION	Q'TY	REMARKS
29	98507-06018	SCREW, PAN HEAD	1	
30	90201-12175	WASHER, PLATE	1	
31	92907-06100	WASHER	1	
32	90109-08398	BOLT	1	
33	240-83946-00	HOLDER, STARTER LEVER	1	
34	4DP-26331-00	CABLE, STARTER 1	1	L=905
35	4DP-26334-00	CABLE, STARTER 2	1	L=730
36	90464-14117	CLAMP	2	

4DP4100-5270

D9

FIG. 28 STAND. FOOTREST



REF. NO.	PART NO.	DESCRIPTION	Q'TY	REMARKS
1	4JT-27411-00	FOOTREST 1	2	
2	1RK-27434-00	BOLT	2	
3	3YL-27211-00	PEDAL, BRAKE	1	
4	240-18113-00	COVER, SHIFT PEDAL	1	
5	3YL-27222-00	JOINT	1	
6	92017-06025	SCREW	1	
7	92907-06600	WASHER, PLATE	1	
8	95607-06100	NUT, U	1	
9	95317-06600	NUT	1	
10	3YL-2583V-00	RR. MASTER CYLINDER ASSY	1	
11	3YL-W0042-50	.CYLINDER KIT, MASTER	1	
12	36Y-2582A-50	.JOINT	1	
13	93210-15620	.O-RING	1	
14	98511-04012	.SCREW, PAN HEAD	1	
15	92902-04100	.WASHER, SPRING	1	
16	92901-04600	.WASHER, PLATE	1	
17	92017-08030	SCREW	2	
18	4DP-25874-00	HOSE, BRAKE	1	
19	3LC-25885-00	JOINT	1	
20	90401-10034	BOLT, UNION	1	
21	90201-10118	WASHER, PLATE	3	
22	3YL-27412-01	BRACKET, FOOTREST 1	1	
23	3YL-27422-02	BRACKET, FOOTREST 2	1	
24	36Y-27414-00	DAMPER, FOOTREST	1	
25	92017-08020	SCREW	4	
26	2VN-25894-00	TANK, RESERVOIR	1	
27	3XP-25852-50	CAP, RESERVOIR	1	
28	2VN-25854-00	DIAPHRAGM, RESERVOIR	1	

FWD
4DP2100-3280

D10

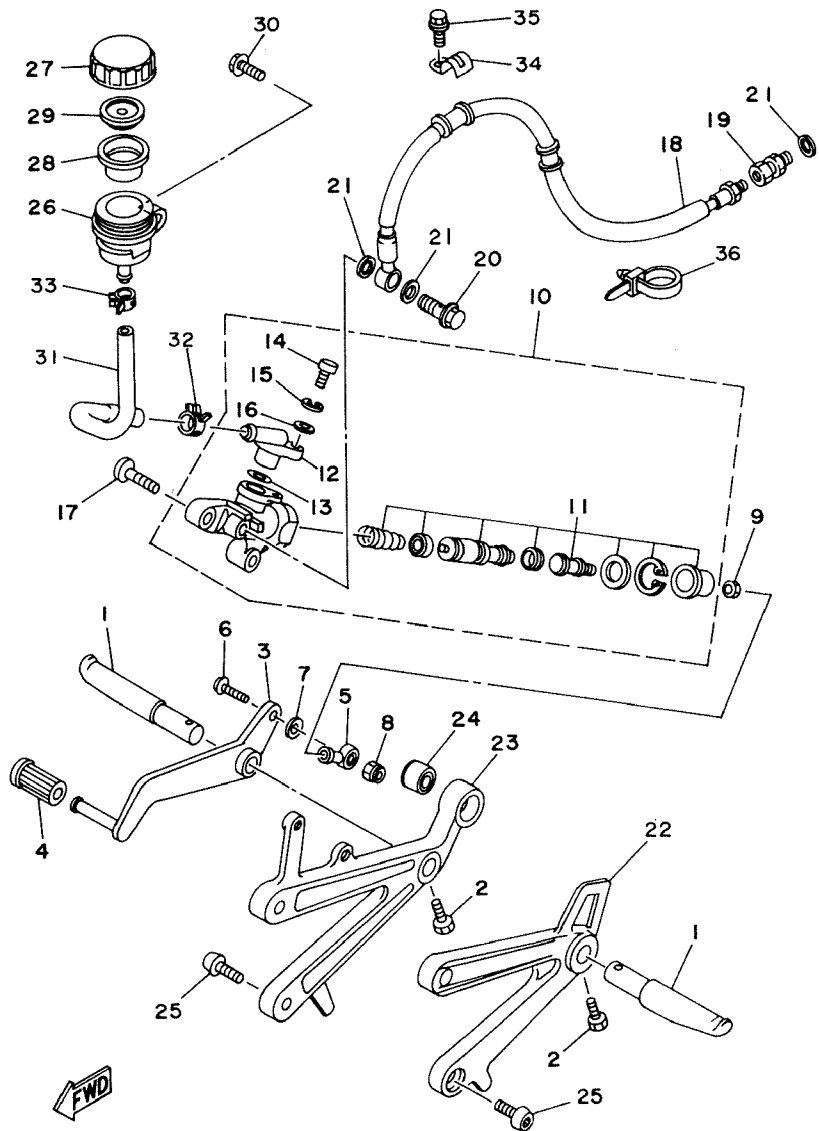


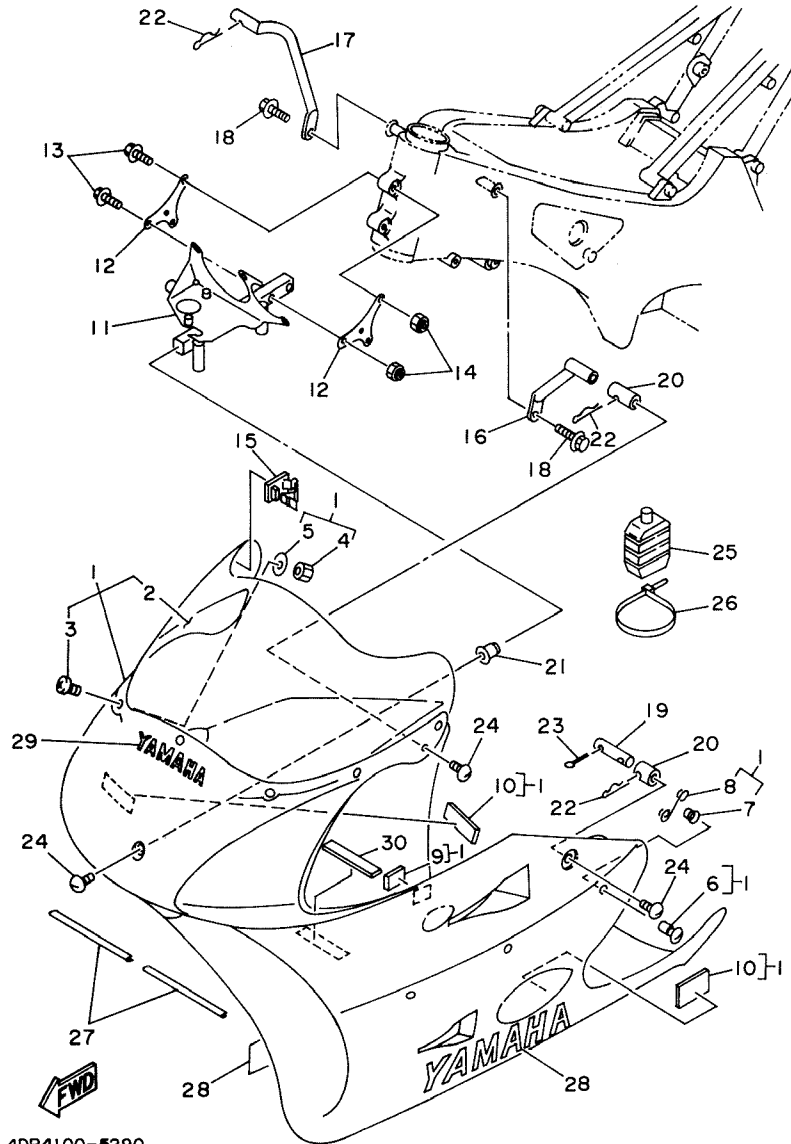
FIG. 28 STAND. FOOTREST

REF. NO.	PART NO.	DESCRIPTION	Q'TY	REMARKS
29	2VN-25855-00	BUSH, DIAPHRAGM	1	
30	95817-06020	BOLT, FLANGE	1	
31	3YL-25895-00	HOSE, RESERVOIR	1	
32	90467-14057	CLIP	1	
33	90467-11044	CLIP	1	
34	3XV-25876-00	HOLDER, BRAKE HOSE 2	2	
35	95027-06016	BOLT, FLANGE	2	
36	90464-12089	CLAMP	1	

4DP2100-3280

D11

FIG. 29 COWLING 1



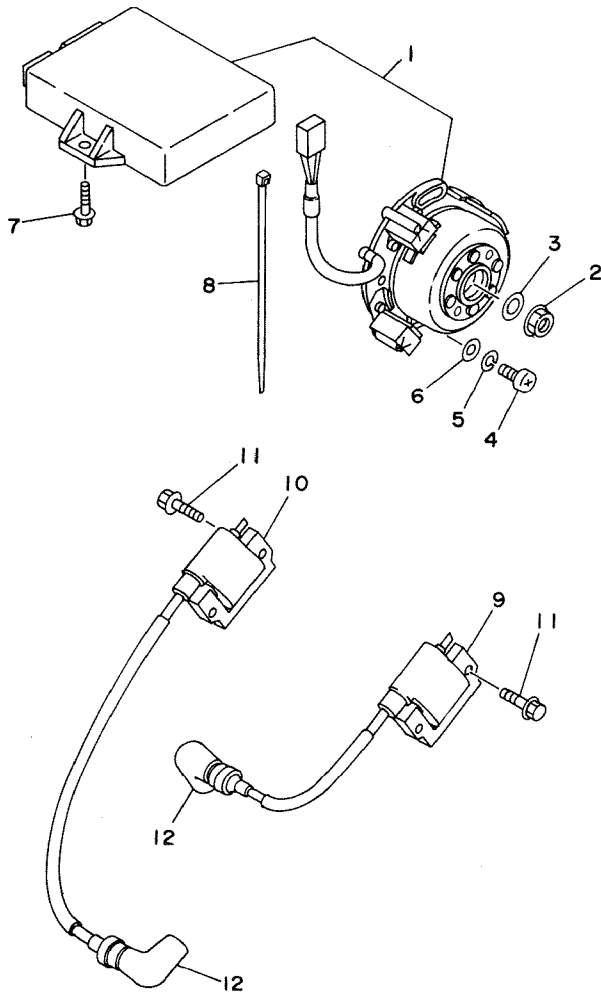
4DP4100-5290

REF. NO.	PART NO.	DESCRIPTION	Q'TY	REMARKS
1	4DP-28350-21	COWLING ASSY	1	
2	4DP-28381-20	.WINDSHIELD	1	
3	98907-04010	.SCREW, BIND	7	
4	95607-04100	.NUT, U	7	
5	92907-04200	.WASHER, PLAIN	7	
6	3YL-28386-00	.HEAD	6	
7	240-28389-00	.EYELET	6	
8	3YL-28388-00	.SPRING	6	
9	1UA-82123-00	.SEAT, BATTERY	1	
10	1TX-28371-00	.DAMPER	2	
11	4JT-28356-00	STAY 1	1	
12	4DP-2836A-00	BRACKET 1	2	
13	95027-06030	BOLT, FLANGE	4	
14	95617-06100	NUT, U	4	
15	90464-25160	CLAMP	2	
16	3YL-28321-00	STAY 1	1	
17	3YL-28322-00	STAY 2	1	
18	95027-06014	BOLT, FLANGE	2	
19	3YL-28358-00	STAY 3	2	
20	4A0-28364-00	NUT	4	
21	4DP-28362-01	NUT	1	
22	4DP-28334-00	CLIP, COWLING	4	
23	91401-25020	PIN, COTTER	2	
24	90150-06021	SCREW, ROUND HEAD	5	
25	3YL-21751-00	TANK, OIL	1	
26	90464-14117	CLAMP	2	
27	3TC-28345-00	MOLE 1	2	
28	99237-00280	EMBLEM, YAMAHA	2	

D12

FIG. 30 GENERATOR

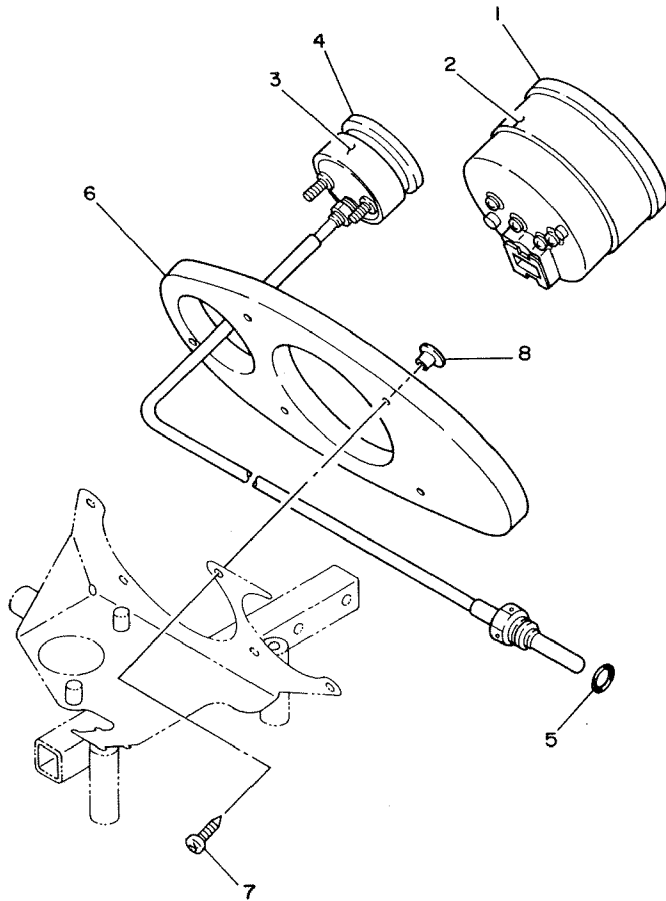
REF. NO.	PART NO.	DESCRIPTION	Q'TY	REMARKS
1	4DP-85501-21	C.D.I. MAGNETO SET	1	
2	90179-12335	NUT	1	
3	90201-127E1	WASHER, PLATE	1	
4	98507-06020	SCREW, PAN HEAD	2	
5	92907-06100	WASHER	2	
6	92907-06600	WASHER, PLATE	2	
7	95027-06020	BOLT	2	
8	90464-14117	CLAMP	1	
9	3YL-82320-00	IGNITION COIL ASSY	1	L=260
10	3YL-82320-01	IGNITION COIL ASSY	1	L=420
11	95027-06020	BOLT	4	
12	81E-82370-20	PLUG CAP ASSY	2	



4DP1100-2300

D14

FIG. 31 METER



REF. NO.	PART NO.	DESCRIPTION	Q'TY	REMARKS
1	3YL-83540-00	TACHOMETER ASSY	1	
2	4A0-83541-00	DAMPER	1	
3	3YF-24724-01	DAMPER, SEAT	1	
4	4JT-83590-01	WATER TEMPERATURE ASSY	1	
5	93210-10118	O-RING	1	
6	3LC-83611-00	PANEL, METER	1	
7	97780-40110	SCREW, TAPPING	5	
8	4A0-83522-00	COLLAR	5	

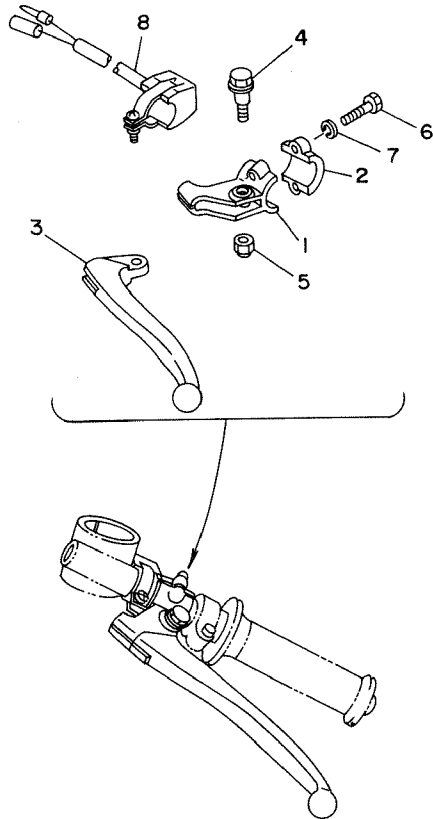


4DP4100-5310

D15

FIG. 32 HANDLE SWITCH. LEVER

REF. NO.	PART NO.	DESCRIPTION	Q'TY	REMARKS
1	5F6-82911-00	HOLDER, LEVER 1	1	
2	4V4-82913-00	HOLDER, LEVER LOWER 1	1	
3	214-83912-00	LEVER 1	1	
4	90109-06799	BOLT	1	
5	95607-06100	NUT, U	1	
6	97007-05020	BOLT	2	
7	92907-05100	WASHER, SPRING	2	
8	3LC-83976-00	SWITCH, HANDLE 1	1	

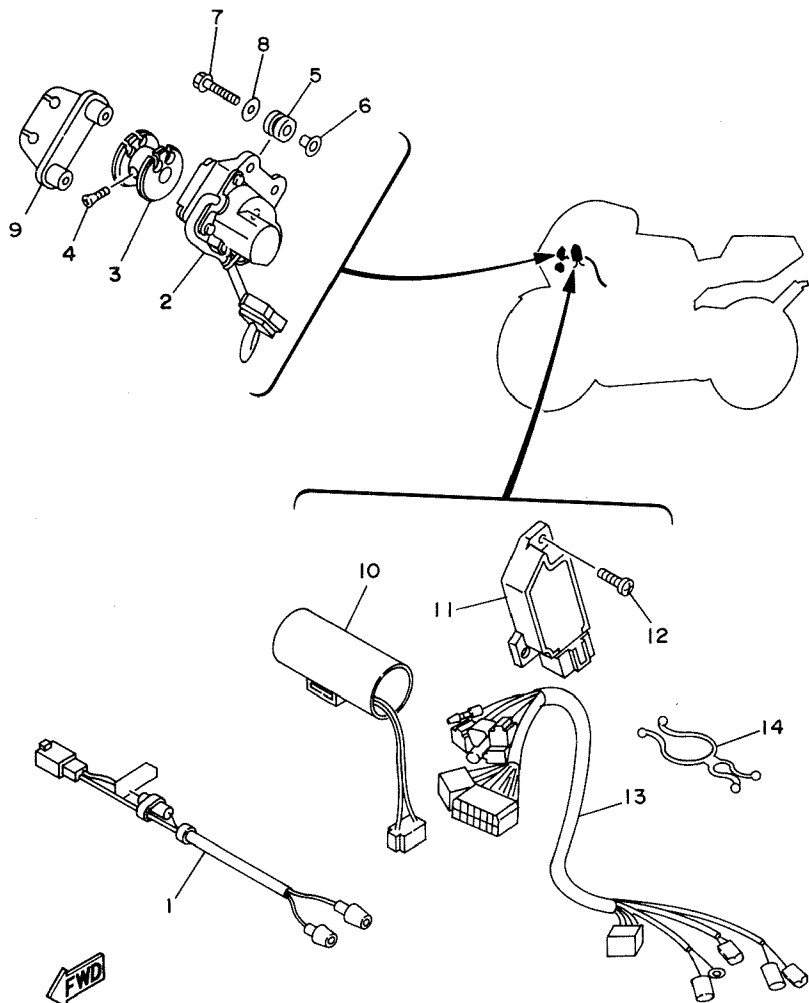


4DP1100-2320

E2

FIG. 33 ELECTRICAL 1

REF. NO.	PART NO.	DESCRIPTION	Q'TY	REMARKS
1	3TC-82117-00	WIRE, LEAD	1	
2	3LC-85850-00	GEARD MOTOR COMP.	1	
3	3YL-85821-00	PULLEY, DRIVE	1	
4	90151-05031	SCREW, COUNTERSUNK	1	
5	90480-14023	GROMMET	2	
6	90387-06388	COLLAR	2	
7	95027-06025	BOLT, FLANGE	2	
8	90201-06765	WASHER, PLATE	2	
9	3YL-85824-00	BRACKET, CABLE	1	
10	3TC-81965-00	CONDENSER, SMOOTHING	1	
11	1JK-81960-A1	RECTIFIER & REGULATOR ASSY	1	
12	98507-06020	SCREW, PAN HEAD	2	
13	4DP-82590-10	WIRE HARNESS ASSY	1	
14	90464-26114	CLAMP	1	



4DP4100-5330

E3

部品番号索引表(中5桁順)

PART NO.	GRID NO.	PART NO.	GRID NO.	PART NO.	GRID NO.	PART NO.	GRID NO.	PART NO.	GRID NO.	PART NO.	GRID NO.
4K0-W0041-50	D- 8	3XV-12428-01	B- 6	193-14142-20	B-10	3YL-15326-00	B-14	4DP-18110-00	C- 6	3XV-22184-00	C- 9
3YL-W0042-50	D-10	3XV-12450-00	B- 6	193-14142-22	B-10	3YL-15327-01	B-14	4DP-18112-00	C- 6	4DP-22210-21	C-10
4DP-W0045-00	D- 3	3YL-12460-01	B- 7	137-14143-70	B-11	4A0-15363-00	B-14	240-18113-00	D-10	23X-22211-00	C-10
	D- 3	22W-12462-00	B- 7	137-14143-72	B-11	3XV-15381-00	C- 3	3FV-18113-00	C- 6	4DP-22211-00	C-10
4JT-W0046-00	D- 6	3AK-12463-00	B- 7	137-14143-74	B-11	2K7-15383-00	B- 5	5F7-18115-00	C- 6	4DP-22212-00	C-10
3FV-W0047-00	D- 3	3YL-12482-00	B- 7	137-14143-76	B-11		C- 4	5F7-18116-00	C- 6	22W-22214-01	C-10
	D- 3	4DP-12483-00	B- 7	137-14143-78	B-11	3YL-15421-00	B-14	5F7-18117-00	C- 6	4DP-22215-00	C-10
3FV-W0047-10	D- 3	3YL-12484-00	B- 7	137-14143-80	B-11	3XV-15431-00	B-14	3XV-18122-00	C- 5	3FV-22219-00	C-10
	D- 3	3XV-13161-00	B- 8	137-14143-82	B-11	3YL-15441-00	C- 2	3MA-18127-00	C- 6	4DP-22219-00	C-10
3LC-W0047-50	D- 6	5H0-13310-00	B- 8	137-14143-84	B-11	3YL-15461-01	B-14	3XV-18140-00	C- 5	1KH-22223-00	C-10
36Y-W0048-00	D- 3	3XV-13316-00	B- 8	137-14143-86	B-11	3XV-15462-00	B-14	3XV-18172-00	C- 5	4DP-22239-00	C-10
	D- 3	4DP-13324-00	B-15	137-14143-88	B-11	3YL-16111-00	B- 4	3XV-18173-00	C- 5	1RK-22251-00	C-10
	D- 6	3XV-13411-00	B- 8	137-14143-90	B-11	4DP-16151-01	B-15	3XJ-18178-00	C- 5	3AK-22252-00	C-10
	D- 8	3XV-13421-00	B- 8	137-14143-92	B-11	5F7-16153-00	B-15	3YL-18182-00	C- 5	3YL-22253-00	C-10
3FV-W0057-00	D- 3	3YL-13555-00	B- 9	137-14143-94	B-11	3YL-16154-00	B-15	3YL-18184-01	C- 5	4DP-22253-00	C-10
	D- 3	3YL-13565-00	B- 9	137-14143-96	B-11	5F7-16181-00	B-15	3YL-18185-00	C- 5	4AA-22259-00	C-10
3FV-W0057-10	D- 3	3YL-13610-00	B- 9	137-14143-98	B-11	5F7-16310-00	B-15	4DP-18511-00	C- 5	4AA-22259-10	C-10
	D- 3	3XV-13613-01	B- 9	214-14147-00	B-11	3AK-16321-00	B-15	4DP-18512-00	C- 5	4AA-22259-20	C-10
4DP-W0057-00	D- 6		B- 9	3JD-14147-00	B-10	3YL-16321-01	B-15	4DP-18513-00	C- 5	4AA-22259-40	C-10
3FV-W2587-00	D- 8	2KM-13614-00	B- 9	3JE-14147-00	B-10	168-16324-00	B-15	4DP-18531-01	C- 5	4DP-22489-00	C-10
4DP-Y1332-00	B- 8		B- 9	3LC-14147-00	B-12	5F7-16343-00	B-15	3XV-18535-00	C- 5	3AK-22493-00	C-10
4DP-11111-10	B- 2	3YL-13616-00	B- 9	4JT-14157-00	B-12	26J-16351-00	B-15	4DP-18540-00	C- 5	4DP-23102-01	C-12
3YL-1131A-00	B- 2	3YL-13617-00	B- 9	3LC-1416A-00	B-12	59W-16356-00	B-15	3XV-18562-00	C- 5	4DP-23103-01	C-12
1RK-1131E-00	B- 2	3YL-13620-00	B- 9	3JD-14185-00	B-10	4DP-16357-00	B-15	4DP-21110-21	C- 7	4DP-23110-00	C-12
3LC-1131V-00	B- 2	3XV-13621-00	B- 9	3JE-14185-00	B-10	26J-16371-01	B-15	4DP-2117A-10	C- 7	4DP-23111-00	C-12
4DP-11310-02	B- 2	3XV-13622-00	B- 9	353-14186-00	B-10	3XV-16381-00	C- 2	4DP-21190-00	C- 7		C-13
4DP-1132E-00	B- 2	1RK-1410A-00	B-11	363-14187-00	B-10	3XV-16384-00	C- 2	4DP-2135H-00	C- 7	4DP-23118-00	C-12
3YL-1133E-00	B- 2	3LC-1410H-00	B-12	3JD-14194-00	B-10	4DP-17121-11	C- 3	4DP-21411-00	C- 7		C-13
3YL-1133F-00	B- 2	4DP-14101-10	B-10	310-14196-00	B-10	5F7-17121-21	C- 3	4DP-21419-00	C- 7	4DP-23120-00	C-12
3YL-1133G-00	B- 2	4DP-14102-10	B-10	362-14231-12	B-12	5F7-17131-10	C- 3	4DP-21495-00	C- 8	4DP-23136-00	C-12
3YL-1133H-00	B- 3	3JD-14104-00	B-12	362-14231-14	B-12	5F7-17136-00	C- 4	3YL-21510-00	D- 2		C-12
4DP-11351-00	B- 3	4DP-14107-35	B-10	362-14231-16	B-12	5F7-17151-01	C- 3	4DP-2160F-10	C- 8	3YL-23141-00	C-12
4DP-11351-10	B- 3	3JD-14112-35	B-11	8JD-14251-00	B-11	5F7-17161-01	C- 3	4DP-2163A-00	B- 9		C-13
4DP-11351-20	B- 3	4DP-14115-00	B-10	4DP-14261-00	B-12	5F7-17161-10	C- 3	4DP-21642-00	C- 7	4DP-23142-00	C-12
4DP-11351-30	B- 3	239-14116-A0	B-10	3JE-14561-00	B-10	5F7-17211-10	C- 3	3JD-21748-00	B- 9		C-13
4DP-11400-01	B- 4	3JD-14116-E0	B-10	4DP-14610-01	B-13	5F7-17211-20	C- 3	3YL-21751-00	C- 7	3SP-23145-L0	C-12
3YL-11455-01	B- 5	214-14118-00	B-10	4DP-14610-11	B-13	4DP-17221-11	C- 3		D-12		C-12
3YL-11531-00	B- 5	3JD-14131-00	B-10	4DP-14620-00	B-13	5F7-17221-21	C- 3	4DP-21824-00	B- 9	36Y-23146-10	C-12
3YL-11536-01	B- 4	8A7-14139-00	B-11	4DP-14620-10	B-13	5F7-17231-10	C- 3	4DP-22110-02	C- 9		C-12
1RK-11611-01	B- 4	137-1414K-00	B-11	4DP-1469A-01	B-13	3YL-17241-00	C- 3	1X2-22127-00-20	C- 9	3SP-23147-M0	C-12
4DP-11631-01-A0	B- 4	137-1414K-04	B-11	4DP-1469A-10	B-13	3YL-17251-00	C- 4	3FV-22128-00	C- 9		C-13
4DP-11631-01-B0	B- 4	137-1414K-08	B-11	4DP-14753-01	B-13	3YL-17261-00	C- 4	3MA-22141-01	C- 9	26H-23156-00	C-12
4DP-11631-01-C0	B- 4	137-1414K-12	B-11	4DP-14755-00	B-13	3YL-17261-10	C- 4		D- 4		C-12
4DP-11631-01-D0	B- 4	137-1414K-16	B-11	4DP-14765-00	B-13	3YL-17411-10	C- 3	3TC-22147-00	C- 9	2K8-23158-L0	C-12
137-11633-10	B- 4	3TC-14141-R5	B-11	256-14919-00	B-10	3YL-17411-20	C- 3	3YL-22147-00	C- 9		C-12
3XV-11651-01	B- 4	3TC-14141-R7	B-11	3V3-14987-00	B-11	3YL-17421-01	C- 3	3YL-22151-00	C- 7	4DP-23170-00	C-12
3YL-11932-00	B- 2	3TC-14141-R9	B-11	3YL-15100-02	B-14	3AK-17471-00	C- 4	4DP-2217A-00	C- 9		C-12
3XV-12422-00	B- 6	193-14142-17	B-10	4DP-15131-01	B-14	4DP-18101-00	C- 6	4DP-2217F-01	C- 9	3LC-23181-00	C-12

PART NO.	GRID NO.	PART NO.	GRID NO.	PART NO.	GRID NO.	PART NO.	GRID NO.	PART NO.	GRID NO.	PART NO.	GRID NO.	PART NO.	GRID NO.
3LC-23181-00	C-12	29L-25398-20	D- 2	3YL-26246-00	D- 7	4V4-82913-00	E- 2	90159-06016	B-15	90249-04189	B- 2		
3YL-23340-00	C-13		D- 4	3Y1-26249-00	D- 7	4A0-83522-00	D-15	90170-06228	C- 6	90267-48147	B-13		
3LC-23357-00	C-12	3YL-25435-00	D- 4	3YL-26281-00	D- 7	3YL-83540-00	D-15	90170-14171	B- 5		B-13		
	C-12	3YL-25436-00	D- 4	3YL-26282-00	D- 7	4A0-83541-00	C-15	90170-20255	B-15	90269-05049	C- 7		
4DP-23357-00	C-12	3YL-25437-00	D- 4	3YL-26292-00	D- 8		D-15	90179-10594	C- 7		C- 7		
	C-12	3YL-25438-00	D- 4	4DP-26311-00	D- 7	4JT-83590-01	D-15	90179-12335	D-14	90280-04001	B- 4		
1J7-23415-00	C-11	3YL-25439-00	D- 4	4DP-26312-00	D- 7	3LC-83611-00	D-15	90179-20255	C- 4	90338-06041	B-14		
4DP-23435-00	C-13	3YL-25440-00	D- 4	4DP-26331-00	D- 9	214-83912-00	E- 2	90179-25033	C-11		C- 7		
2KM-23451-00	C-11	4DP-2580T-10	D- 3	4DP-26334-00	D- 9	3TJ-83922-01	D- 8	90185-08089	D- 4	90338-24177	C- 7		
3TC-23471-00	C-13	4DP-2580U-10	D- 3	4DP-26335-00	D- 7	240-83941-00	D- 8	90185-08097	B-13	90340-12144	B-14		
4JT-23490-00	C-11	4JT-2580W-00	D- 6	5F6-26368-00	D- 7	240-83946-00	D- 9	90185-18104	C- 9	90380-08192	B- 2		
3YL-23495-00	C-11	4DP-2581T-10	D- 3	80L-26397-00	C-14	3LC-83976-00	E- 2		D- 2	90380-12214	C- 6		
4JT-2411R-00	C-14	4DP-25819-00	D- 6	3YL-27211-00	D-10	4DP-85501-21	D-14		D- 4	90387-06068	B- 7		
4DP-24110-00-36	C-14	2VN-2582A-50	D- 8	3YL-27222-00	D-10	3YL-85821-00	E- 3	90201-065F3	B- 7	90387-062L2	C-15		
3YL-24173-01	C-14	36Y-2582A-50	D-10	4JT-27411-00	D-10	3YL-85824-00	E- 3	90201-06765	E- 3	90387-06388	B- 7		
4DP-24181-00	C-14	3YL-2582F-00	D- 8	3YL-27412-01	D-10	3LC-85850-00	E- 3	90201-08085	B- 2		E- 3		
1RK-24182-00	C-14	4DP-2582W-00	D- 6	36Y-27414-00	C- 7	90101-10709	C- 9	90201-08455	C-11	90387-105U6	C- 8		
3PA-24356-00	D- 8	3YL-2583V-00	D-10		D-10		C- 9	90201-08512	B- 8	90387-124Y8	C- 9		
1X2-24376-00	C-14	3FV-25852-00	D- 8	3YL-27422-02	D-10		C- 9	90201-087F0	C- 6		C- 9		
3XJ-24380-00	C-14	3XP-25852-50	D-10	1RK-27434-00	D-10		C-10	90201-10118	D- 8	90387-127V3	C- 5		
4DP-24500-00	C-14	2VN-25854-00	D-10	3YL-28321-00	D-12	90105-06535	B- 2		D-10	90387-172K2	B- 5		
4X8-24512-00	C-14	3FV-25854-00	D- 8	3YL-28322-00	D-12	90105-10227	C- 7	90201-10144	B- 4	90387-250Y0	C- 4		
3AJ-24523-00	C-14	2J2-25855-50	D- 8	4DP-28334-00	D-12	90105-10316	C- 7	90201-114P2	B- 6	90401-06115	B- 8		
3AJ-24534-00	C-14	2VN-25855-00	D-11	3TC-28345-00	D-12	90105-10445	B- 4	90201-114P4	B- 6	90401-10034	D-10		
2A6-24611-00	C-14	2VN-25866-00	D- 8	4DP-28350-21	D-12	90105-10725	D- 3	90201-12175	D- 9	90401-10142	D- 8		
1W1-24612-00	C-14	56A-25867-00	D- 8	4JT-28356-00	D-12		D- 3	90201-12588	C- 6	90405-06044	B- 8		
4DP-24710-20	C-15	4DP-25872-00	D- 8	3YL-28358-00	D-12	90109-065F8	B-14	90201-127E1	B- 8	90430-06166	B- 2		
4DP-24713-00	C-15	4DP-25873-00	D- 8	4DP-2836A-00	D-12	90109-06799	E- 2		C- 5		B- 2		
3YF-24724-01	D-15	4DP-25874-00	D-10	4DP-28362-01	D-12	90109-08398	D- 9		D-14		B- 6		
3YL-24733-00	C-15	3XV-25876-00	D-11	4A0-28364-00	D-12	90109-084F1	B-14	90201-154E8	C- 5		B- 8		
4DP-25117-00	D- 2	3LC-25885-00	D- 8	1TX-28371-00	D-12	90109-087F6	C- 6	90201-177G4	C- 5		B-14		
4DP-25168-20-UA	D- 2		D-10	4DP-28371-00	D-13	90109-08718	C- 7	90201-18262	D- 2		C- 7		
4DP-2518A-00	D- 2	3FV-2589A-00	D- 8	4DP-28381-20	D-12		D- 3		D- 4	90430-12202	B-14		
4DP-25181-10	D- 2	3FV-2589F-00	D- 8	3YL-28386-00	D-12	90110-08071	C-13	90201-18264	C- 9	90445-093H5	B-14		
4DP-25183-00	D- 2	2VN-25894-00	D-10	3YL-28388-00	D-12	90116-08409	B- 3	90201-20276	C- 3	90445-093H6	C- 7		
5Y9-25316-00	D- 4	3FV-25894-00	D- 8	240-28389-00	D-12	90116-08564	B- 3		C- 3	90445-10456	B- 8		
3YL-25317-00	D- 4	3YL-25895-00	D-11	1JK-81960-A1	E- 3	90119-05071	C- 7	90201-206E5	C- 3	90445-11182	C-14		
4DP-25338-10-UA	D- 4	3FV-25919-00	D- 3	3TC-81965-00	E- 3	90123-06007	D- 7	90201-253K0	C- 3	90445-112E9	C-14		
4DP-25360-00	D- 4		D- 3	3TC-82117-00	E- 3	90149-05149	B- 2	90201-256E4	C- 3	90460-20190	B- 7		
3YL-25364-00	D- 4	3LC-25919-50	D- 6	1UA-82123-00	B- 7	90149-06011	C-14	90201-256E6	C- 3	90460-52210	B- 9		
3YL-25376-00	D- 5	3FV-25924-00	D- 3		D-12	90149-08152	D- 6	90202-05187	C-14	90464-12089	C- 7		
4DP-25379-00	D- 4		D- 3	3YL-82320-00	D-14	90150-06021	D-12	90202-08175	B- 9		D-11		
4DP-25388-00	D- 4	4JT-25924-00	D- 6	3YL-82320-01	D-14	90151-05031	E- 3	90209-22082	C- 4	90464-14117	C- 7		
4DP-25389-00	D- 4	3YL-26121-00	D- 7	5HO-8235Y-M0	B- 7	90151-06041	B- 5	90209-24315	B- 4		C-14		
29L-25398-00	D- 2	3YL-26122-00	D- 7		C-14		C- 3	90209-24327	B- 4		D- 8		
	D- 4	47X-26241-00	D- 7	81E-82370-20	D-14		C- 4	90215-14204	B- 5		D- 9		
	D- 2	47X-26242-00	D- 7	4DP-82590-10	E- 3	90157-05106	B- 8	90215-20212	B-15		D-12		
	D- 4	3YL-26243-00	D- 7	5F6-82911-00	E- 2		C- 5	90215-21239	C- 4		D-14		

PART NO.	GRID NO.	PART NO.	GRID NO.	PART NO.	GRID NO.	PART NO.	GRID NO.	PART NO.	GRID NO.	PART NO.	GRID NO.
90464-25160	C- 7	92017-08020	D- 6	93306-20469	D- 4	95027-06016	C- 7	99009-11400	B- 6		
	D-12		D-10	93306-20470	C- 4		D-11	99009-12400	C- 5		
90464-26114	E- 3	92017-08025	C-11	93306-20529	C- 3	95027-06020	D-14	99009-17400	C- 5		
90465-13169	C-14	92017-08030	B-13	93306-20562	C- 4		D-14	99009-20400	C- 3		
	D- 8		D-10	93306-30316	B- 5	95027-06025	C- 7	99237-00100	C-15		
90467-09006	C-14	92901-04600	D-10	93306-30563	B- 4		D- 8		D-13		
90467-09037	B- 8	92902-04100	D-10	93306-30564	B- 4		E- 3	99237-00180	C-14		
90467-10008	C-14	92907-04100	B-10	93306-30631	B- 4	95027-06030	D-12	99237-00280	D-12		
90467-11044	D-11		B-10	93306-90302	C- 5	95027-08020	C- 7	99510-08012	B-14		
90467-14057	D-11	92907-04200	D-12	93310-22057	C- 3	95304-06700	C- 6	99510-10114	B- 3		
90468-16099	C-11	92907-05100	D- 7	93310-31605	B- 4	95317-06600	B-15	99530-10014	B-14		
90480-13018	C-15		E- 2	93310-33235	B-15		D-10		B-14		
90480-14023	E- 3	92907-06100	D- 9	93310-52400	B- 4	95607-04100	D-12				
90480-14153	C-10		D-14	93311-62574	B- 5	95607-06100	C- 6				
90480-15363	B- 7	92907-06200	B-15	93315-11206	C- 2		D-10				
90501-05265	C- 5	92907-06600	B-13	93315-42523	C- 9		E- 2				
90501-23138	B-15		D-10	93320-21507	C- 9	95607-08200	D- 4				
90507-20035	B-13		D-14		C- 9	95617-06100	D- 8				
90508-121A2	C- 2	92990-03100	B- 9	93332-00001	C-11		D-12				
90508-231A5	C- 5		B- 9	93332-00008	C-11	95617-10200	C- 7				
90508-29742	C- 6		B-10	93342-22502	C- 9		C- 9				
90560-12075	C- 6	93101-44160	B- 4	93399-99935	C-10		C- 9				
90560-12361	C- 6	93101-56095	B-15	93420-37074	B- 5		C- 9				
91A20-05020	C-14	93102-12106	C- 6	93440-08130	B- 2		C-10				
91A20-05095	C-14	93102-12224	C- 2	93440-25084	C- 3	95707-08500	B- 3				
91311-06040	C-12	93102-25404	B- 5	93440-30113	C-10	95817-06010	B- 2				
	C-13	93102-25438	B- 4	93440-72049	B- 4	95817-06012	D- 8				
91317-04010	B-10	93102-30243	B-15	93450-17129	B- 4	95817-06020	D-11				
91317-05010	B- 2	93102-32M07	C- 4	93515-32029	B-15	95817-08030	B-13				
	C- 2	93103-12119	B- 6	93603-12030	B- 8	97007-05020	E- 2				
91317-05012	C- 4	93103-35173	B- 4	93604-08071	B- 2	97007-06030	B- 7				
91317-05020	B- 8	93104-08040	B- 2	93604-10011	B- 6	97017-06020	C- 6				
	D- 7	93210-04279	B-15		B- 8	97027-06020	B-13				
91317-06020	B-14	93210-07540	B- 8	93605-20204	C-10	97780-40110	D-15				
91317-06025	B- 6	93210-09350	B-15	93834-14178	C- 4	98503-03008	C-14				
	C-11	93210-10118	D-15	93834-15077	C- 4	98507-03006	B- 9				
	D- 7	93210-15620	D- 8	93834-16099	C- 4		B- 9				
91317-06030	B-14		D-10	93900-00003	D- 2	98507-03010	B-10				
91317-10020	C-10	93210-15680	B-14		D- 4	98507-04012	B-10				
91318-06014	C- 5	93210-21190	B-14	94116-1703A	D- 4	98507-05008	D- 7				
91401-25020	D-12	93210-22298	B-15	94132-1701H	D- 2	98507-06018	D- 9				
91490-16020	D- 6	93210-42482	B-15	94561-42108	D- 4	98507-06020	D-14				
91701-08042	C-11	93210-42728	B-13	94661-42031	D- 4		E- 3				
92017-06014	B-14	93210-63442	B- 2	94702-00374	B- 2	98511-04012	D-10				
92017-06020	B- 9	93210-69434	D- 4	94709-00374	B- 2	98907-04010	D-12				
92017-06025	B- 9	93210-88696	B- 2	95027-06012	C- 2	98907-05010	B- 2				
	C-15	93306-00442	C- 3		D- 2	98907-05020	B- 2				
	D-10	93306-00507	D- 2	95027-06014	D-12	98907-06020	C- 9				

YAMAHA

ヤマハ発動機株式会社
〒438 静岡県磐田市新貝2500
サービス情報室

518039-0