

PARTS CATALOGUE

TZ250(5KE1)

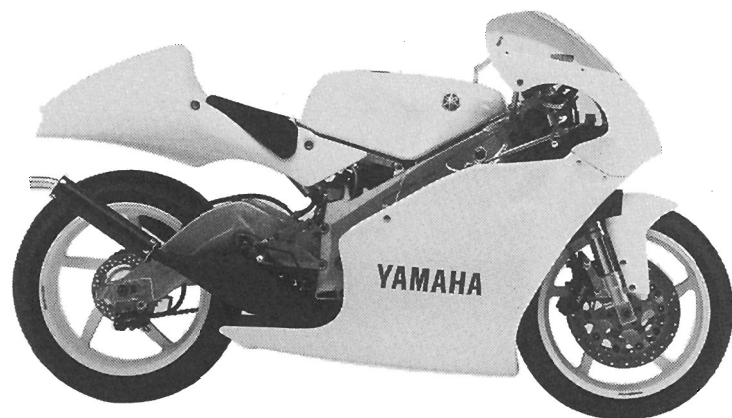
'99.11 発行

YAMAHA
GENUINE
Parts & Accessories

105KE-010E1

5KE-28198-10-E1





A3

ま え が き

このパーツカタログは、ヤマハTZ250(5KE1)に使用されている補修用販売部品が記載されています。

部品を御注文の際は、本パーツカタログを御参照の上、部品番号、部品名、数量を正確に御指示下さい。

1. 部品の新設、廃止または変更が生じた場合は、部品ニュースにてお知らせ致しますので、お手許のパーツカタログを御訂正下さい。
2. アセンブリでの販売部品は、その構成する部品名の頭に(・)印をつけて一文字下げた状態にて表わしてあります。
3. アセンブリでの販売部品使用個数は、アセンブリ単体に含まれる使用個数を表示してあります。

(例)

部品番号	部品名	使用個数
4J2-83310-00	フロントフラッシュランプアセンブリ	2
3L5-83312-00	・レンズ、フラッシュ	1
185-83311-10	・バルブ(6V-8W)	1

4. 本文中に記載されています省略記号は次の様になっています。

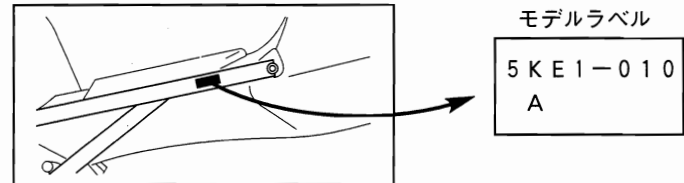
STD	スタンダード
UR	選択
UN	必要数
AP	別売品
O/S	オーバーサイズ
LM	現地調達部品

5. フューエルタンク グラフィック及びエンブレムが複数にて使用されている場合は、摘要欄に該当仕様色名が記載されています。

(例)

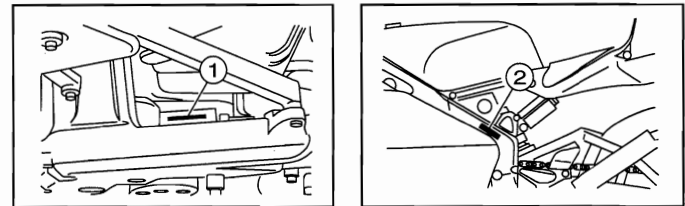
部品番号	部品名	使用個数	摘要
3FY-24110-00-01	フューエルタンクコンプリート	1	URソフィアイエロー
3FY-24110-00-02	フューエルタンクコンプリート	1	URホワイト
3FY-24240-00	・グラフィックセット	1	URソフィアイエローヨウ
3FY-24240-10	・グラフィックセット	1	URホワイトヨウ
3FY-24161-00	・エンブレム	1	2

6. 本モデルには、モデルラベルが貼り付けられています。尚、モデルラベルには登録型式、製品連番及びカラータイプが記載されています。



7. 本モデルの打刻仕様、塗色部品の使用は、次の様になっています。

① エンジン型式	G201E	② フレーム打刻型式	CG09C
----------	-------	------------	-------



カラータイプ	色番号	色名	省略記号
A	0036	ホワイト	W

8. 本モデルのサービス資料の部品番号は、下記の通りです。

資料名	部品番号
オーナーズサービスマニュアル	5KE-28199-J0

CONTENTS

ENGINE

CYLINDER HEAD	B2
CRANKSHAFT. PISTON	B4
COUNTER SHAFT	B5
WATER PUMP	B6
RADIATOR. HOSE	B7
OIL PUMP	B8
INTAKE	B9
CARBURETOR	B10
EXHAUST	B12
CRANKCASE	B13
CLUTCH	B14
TRANSMISSION	C2
SHIFT CAM. FORK	C4
SHIFT SHAFT	C5

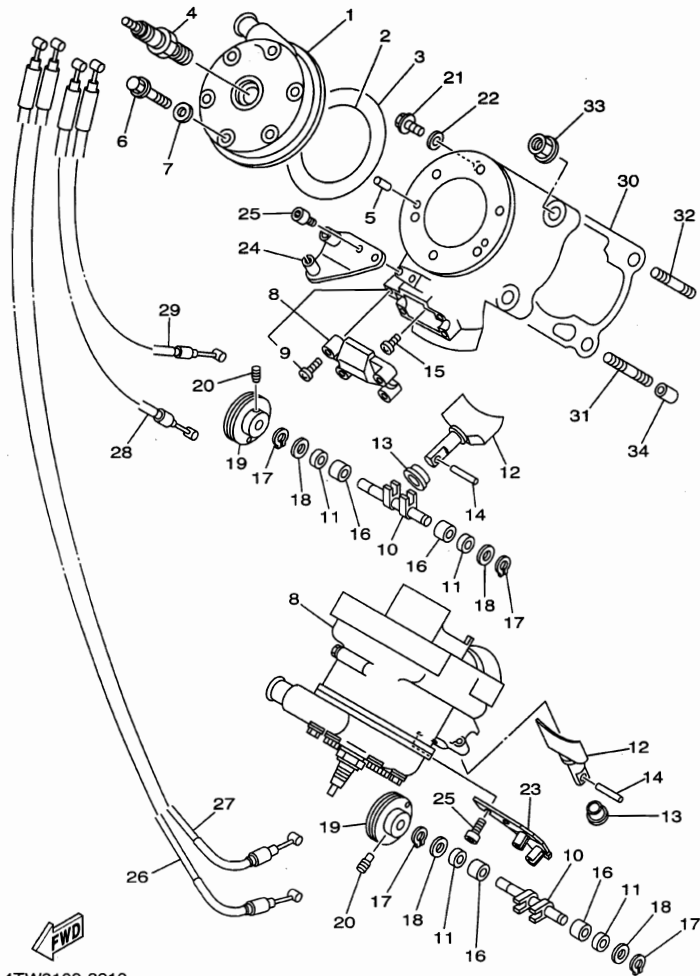
CHASSIS

FRAME	C6
REAR ARM	C8
REAR SUSPENSION	C9
STEERING	C10
FRONT FORK	C11
FUEL TANK	C13
SEAT	C15
FRONT WHEEL	D2
FRONT BRAKE CALIPER	D3
REAR WHEEL	D4
REAR BRAKE CALIPER	D6
STEERING HANDLE. CABLE	D7
FRONT MASTER CYLINDER	D8
STAND. FOOTREST	D10
COWLING 1	D12
GENERATOR	D14

METER	D15
HANDLE SWITCH. LEVER	E2
ELECTRICAL 1	E3

INDEX

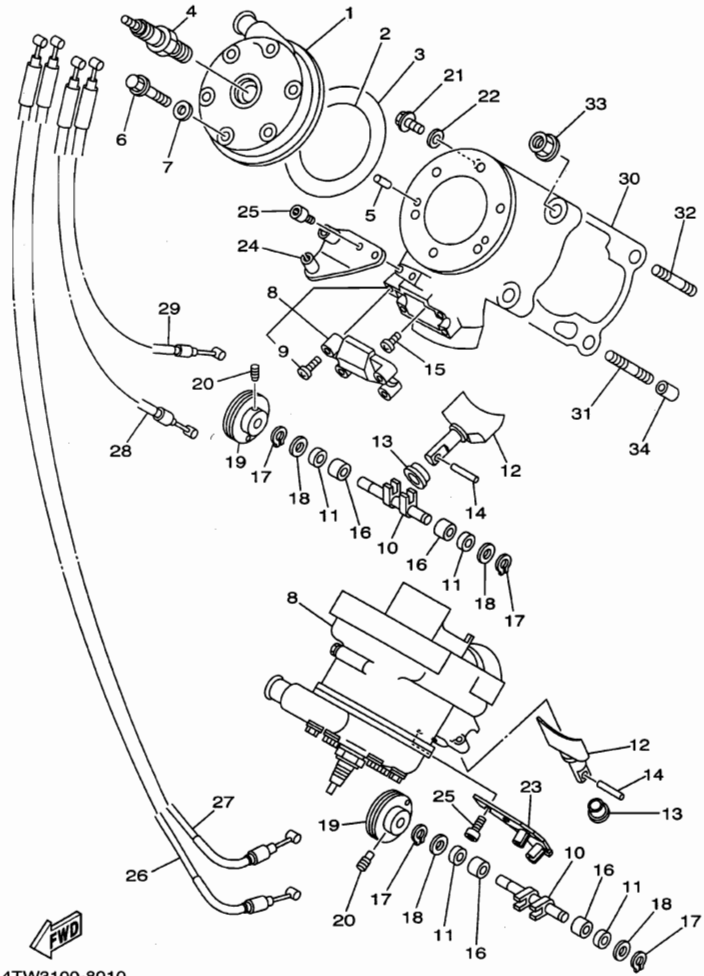
NUMERICAL INDEX	M1
-----------------------	----



4TW3100-8010

FIG. 1 CYLINDER HEAD

REF. NO.	PART NO.	DESCRIPTION	USA	EUR	OC	LPN	REMARKS
			2	2	2	2	
1	5KE-11111-00	HEAD, CYLINDER 1	2	2	2	2	
2	93210-63442	O-RING	2	2	2	2	
3	93210-88696	O-RING	2	2	2	2	
4	94702-00374	PLUG, SPARK (R6179A-105P)	2	2	2		NGK
	94709-00374	PLUG, SPARK (R6179A-105P)				2	NGK
5	93604-08071	PIN, DOWEL	4	4	4	4	
6	90105-063A0	BOLT, WASHER BASED	12	12	12	12	
7	90430-06166	GASKET	12	12	12	12	
8	5KE-11310-00	CYLINDER	2	2	2	2	
9	98907-05020	.SCREW, BIND	4	4	4	4	
10	3LC-1131V-00	SHAFT 1	2	2	2	2	
11	93104-08040	OIL SEAL	4	4	4	4	
12	5KE-1131A-00	VALVE 1	2	2	2	2	
13	1RK-1131E-00	HOLDER 1	2	2	2	2	
14	93604-26256	PIN, DOWEL	2	2	2	2	
15	90109-05001	BOLT	2	2	2	2	
16	90380-08192	BUSH, SOLID	4	4	4	4	
17	93440-08130	CIRCLIP	4	4	4	4	
18	90201-08403	WASHER, PLATE	4	4	4	4	
19	4DP-1132E-00	PULLEY 1	2	2	2	2	
20	90149-05149	SCREW	2	2	2	2	
21	95827-06010	BOLT, FLANGE	2	2	2	2	
22	90430-06166	GASKET	2	2	2	2	
23	3YL-11932-10	SETTER, WIRE	1	1	1	1	
24	3YL-11932-00	SETTER, WIRE	1	1	1	1	
25	91317-05010	BOLT	4	4	4	4	
26	4TW-1133E-00	CABLE, PULLEY 1	1	1	1	1	CLOSE



4TW3100-8010

FIG. 1 CYLINDER HEAD

REF. NO.	PART NO.	DESCRIPTION	USA	EUR	OE	JPN	REMARKS
27	4TW-1133F-00	CABLE, PULLEY 2	1	1	1	1	OPEN
28	4TW-1133G-00	CABLE, PULLEY 3	1	1	1	1	CLOSE
29	4TW-1133H-01	CABLE, PULLEY 4	1	1	1	1	OPEN
30	4JT-11351-02	GASKET, CYLINDER (0.8T)	2	2	2	2	STD
	4JT-11351-12	GASKET, CYLINDER (0.7T)	2	2	2	2	AP
	4JT-11351-22	GASKET, CYLINDER (0.6T)	2	2	2	2	AP
	4DP-11351-31	GASKET, CYLINDER (0.5T)	2	2	2	2	AP
	4DP-11351-40	GASKET, CYLINDER (0.4T)	2	2	2	2	AP
31	90116-08409	BOLT, STUD	4	4	4	4	
32	90116-08564	BOLT, STUD	4	4	4	4	
33	90179-08003	NUT	8	8	8	8	
34	99510-10114	PIN, DOWEL	4	4	4	4	

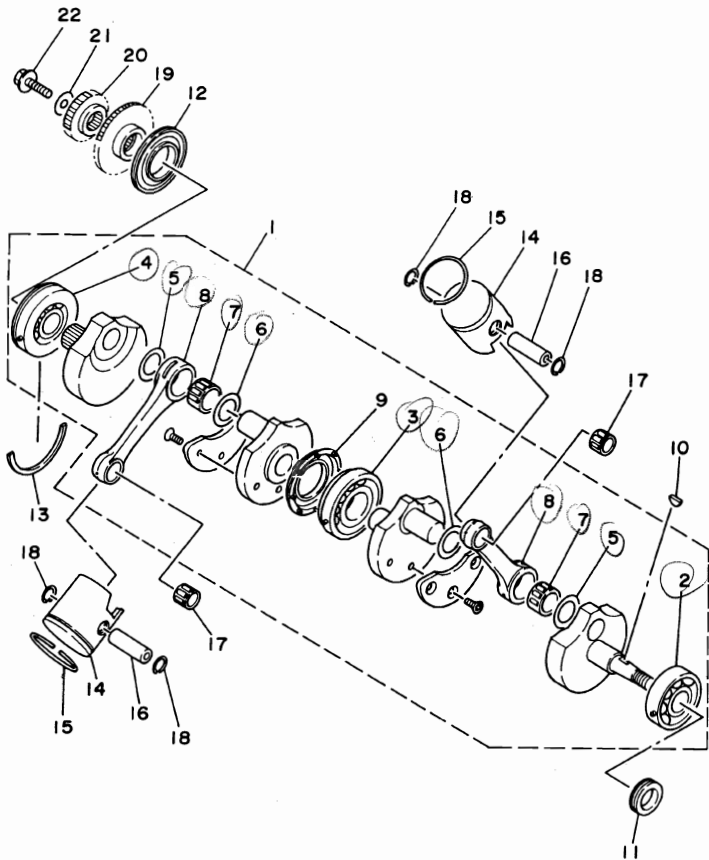
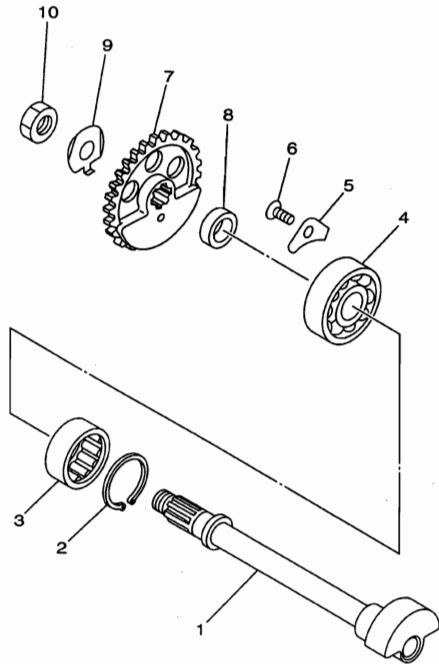


FIG. 2 CRANKSHAFT. PISTON

REF. NO.	PART NO.	DESCRIPTION	USA	EUR	OE	JPN	REMARKS
1	5KE-11400-00	CRANKSHAFT ASSY	2	1	1	1	
2	93306-30564	.BEARING <i>93306-30571</i>	1	1	1	1	
3	93306-30632	.BEARING	1	1	1	1	
4	93306-30571	.BEARING	2	1	1	1	
5	90209-24327	.WASHER	2	2	2	2	
6	90209-24316	.WASHER	2	2	2	2	
7	93310-52403	.BEARING	2	2	2	2	
8	5KE-11651-00	.ROD, CONNECTING	2	2	2	2	
9	93101-44160	.OIL SEAL	1	1	1	1	
10	90280-04001	KEY, WOODRUFF	1	1	1	1	
11	93102-25438	OIL SEAL	1	1	1	1	
12	93102-35030	OIL SEAL	1	1	1	1	
13	278-17424-01	CIRCLIP 1	1	1	1	1	
14	5KE-11631-00-A0	PISTON (STD)	2	2	2	2	
	5KE-11631-00-B0	PISTON (STD)	2	2	2	2	
	5KE-11631-00-C0	PISTON (STD)	2	2	2	2	
15	4JT-11611-00	RING, PISTON	2	2	2	2	
16	4XM-11633-00	PIN, PISTON	2	2	2	2	
17	93310-315S4	BEARING	2	2	2	2	
18	93450-16068	CIRCLIP	4	4	4	4	
19	5KE-11536-00	GEAR, DRIVE	1	1	1	1	
20	5KE-16111-00	GEAR, PRIMARY DRIVE	1	1	1	1	
21	90201-10144	WASHER, PLATE	1	1	1	1	
22	90105-10445	BOLT, WASHER BASED	1	1	1	1	

FWD
3YL1100-1020

FIG. 3 COUNTER SHAFT

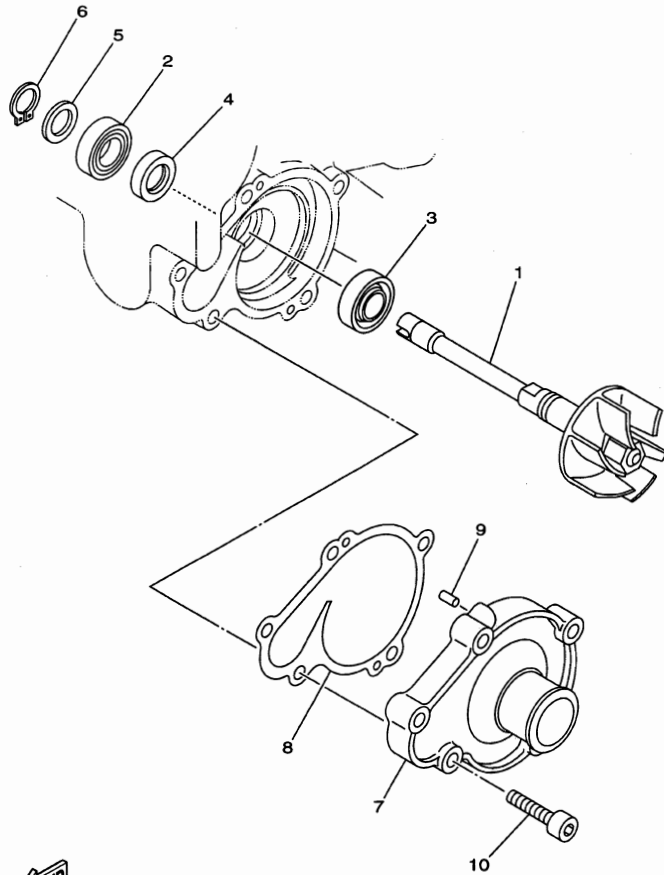


REF. NO.	PART NO.	DESCRIPTION	USA	EUR	OCE	JPN	REMARKS
1	5KE-11455-00	SHAFT 1	1	1	1	1	
2	93420-30049	CIRCLIP	1	1	1	1	
3	93311-32261	BEARING	1	1	1	1	
4	93306-30316	BEARING	1	1	1	1	
5	4JT-15381-01	PLATE, BEARING COVER	1	1	1	1	
6	90151-06001	SCREW, COUNTERSUNK	1	1	1	1	
7	5KE-11531-00	GEAR, BALANCE WT	1	1	1	1	
8	90387-176R1	COLLAR	1	1	1	1	
9	90215-14204	WASHER, LOCK	1	1	1	1	
10	90170-14171	NUT	1	1	1	1	



5KE1100-0030

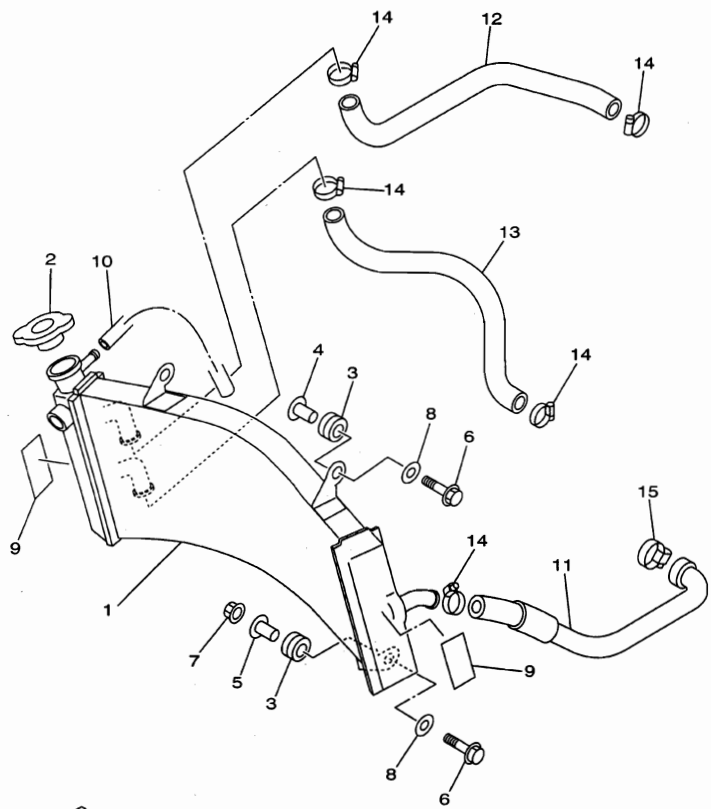
FIG. 4 WATER PUMP



REF. NO.	PART NO.	DESCRIPTION	USA	EUR	OCÉ	JPN	REMARKS
1	5KE-12450-00	IMPELLER SHAFT ASSY	1	1	1	1	
2	93306-90105	BEARING	1	1	1	1	
3	93109-11073	OIL SEAL	1	1	1	1	
4	93101-12126	OIL SEAL	1	1	1	1	
5	90201-12166	WASHER, PLATE	1	1	1	1	
6	99009-12400	CIRCLIP	1	1	1	1	
7	5KE-12422-00	COVER, HOUSING	1	1	1	1	
8	5KE-12428-00	GASKET, HOUSING COVER 2	1	1	1	1	
9	93604-10011	PIN, DOWEL	2	2	2	2	
10	91317-06025	BOLT	5	5	5	5	


5KE1100-0040

FIG. 5 RADIATOR. HOSE



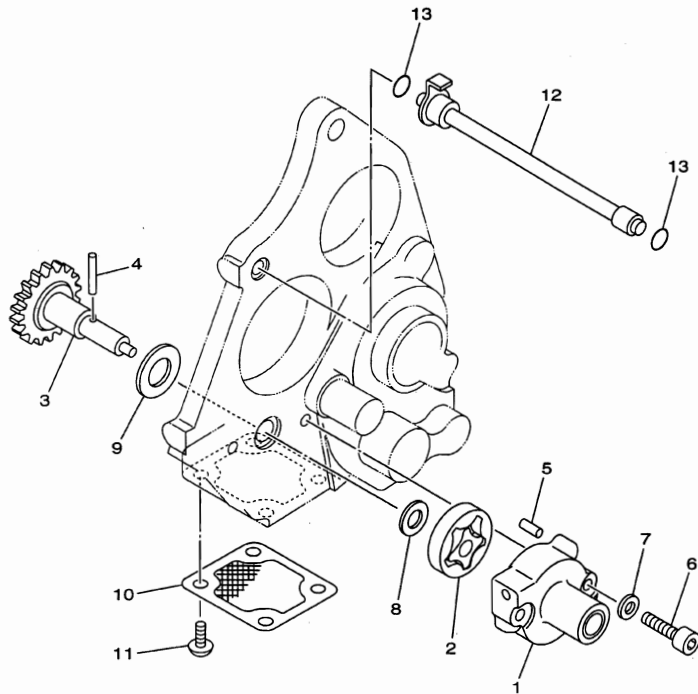
REF. NO.	PART NO.	DESCRIPTION	USA	EUR	OCE	JPN	REMARKS
1	4TW-12461-00	RADIATOR ASSY	1	1	1	1	
2	22W-12462-00	CAP, RADIATOR	1	1	1	1	
3	90480-15363	GROMMET	3	3	3	3	
4	90387-066N1	COLLAR	2	2	2	2	
5	90387-063E6	COLLAR	1	1	1	1	
6	95027-06030	BOLT, FLANGE	3	3	3	3	
7	95607-06200	NUT, SELF U-FLANGE	1	1	1	1	
8	90201-06571	WASHER, PLATE	3	3	3	3	
9	3YL-12232-00	DAMPER	2	2	2	2	
10	90445-09251	HOSE	1	1	1	1	
11	5KE-12482-00	PIPE 2	1	1	1	1	
12	5KE-12483-00	PIPE 3	1	1	1	1	
13	4TW-12484-10	PIPE 4	1	1	1	1	
14	90460-20190	CLAMP, HOSE	5	5	5	5	
15	90450-40009	HOSE CLAMP ASSY	1	1	1	1	



5KE1100-0050

B7

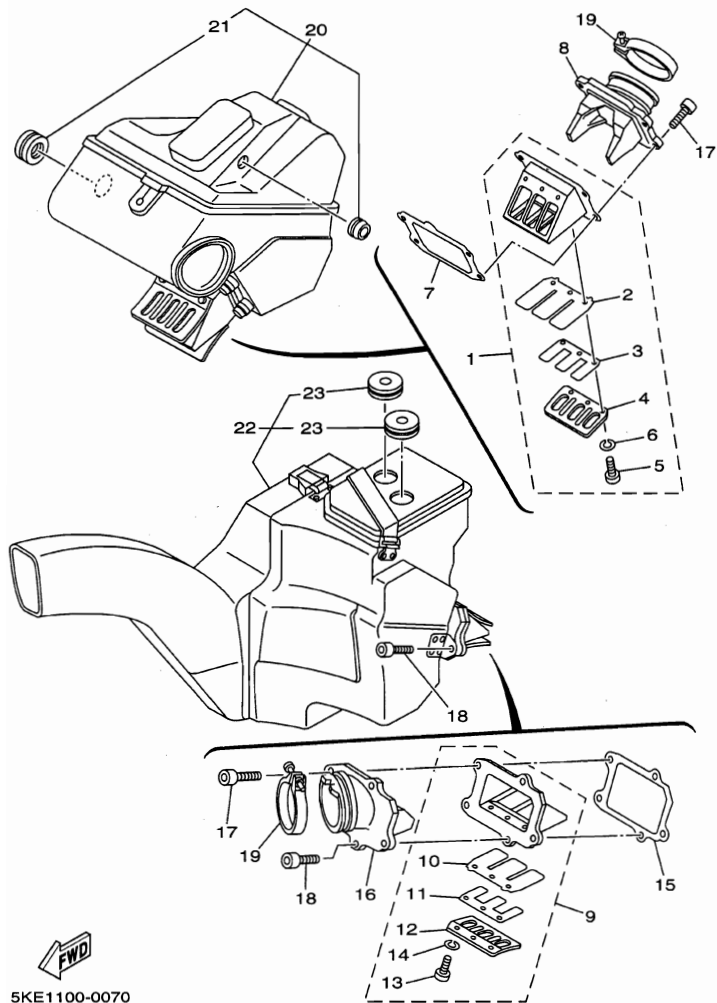
FIG. 6 OIL PUMP



REF. NO.	PART NO.	DESCRIPTION	USA	EUR	OCE	JPN	REMARKS
1	5KE-13316-00	COVER, PUMP	1	1	1	1	
2	5H0-13310-00	ROTOR ASSY 1	1	1	1	1	
3	4DP-Y1332-00	GEAR, PUMP	1	1	1	1	
4	93603-12030	PIN, DOWEL	1	1	1	1	
5	93604-10011	PIN, DOWEL	2	2	2	2	
6	91317-05025	BOLT	3	3	3	3	
7	92907-05600	WASHER, PLATE	3	3	3	3	
8	90201-08512	WASHER, PLATE	1	1	1	1	
9	90201-127E1	WASHER, PLATE	1	1	1	1	
10	5KE-13411-00	STRAINER, OIL	1	1	1	1	
11	98507-06010	SCREW, PAN HEAD	4	4	4	4	
12	5KE-13161-00	PIPE, DELIVERY 1	1	1	1	1	
13	93210-06001	O-RING	2	2	2	2	


5KE1100-0060

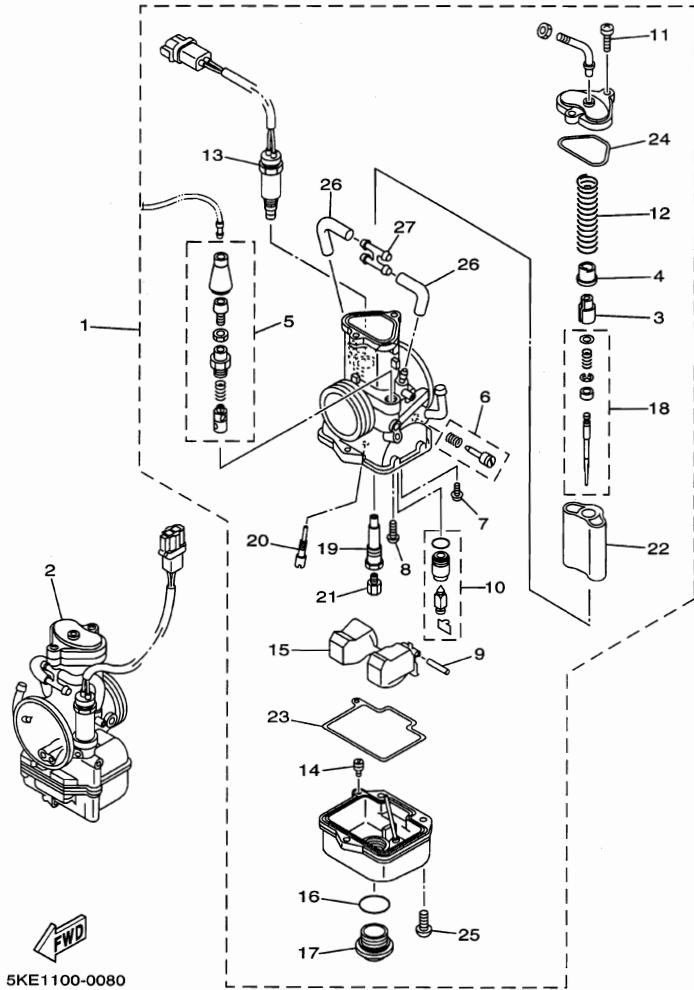
FIG. 7 INTAKE



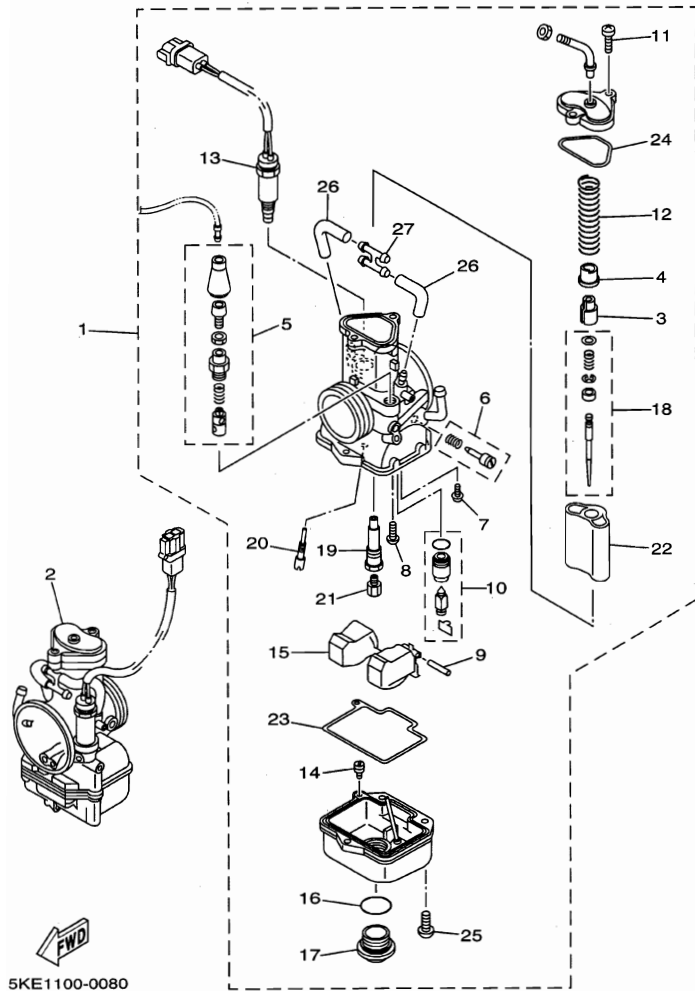
REF. NO.	PART NO.	DESCRIPTION	USA	EUR	OCE	JPN	REMARKS
1	5KE-13610-00	REED VALVE ASSY	1	1	1	1	
2	3XV-13613-01	.REED, VALVE	2	2	2	2	
3	2KM-13614-00	.REED, VALVE 2	2	2	2	2	
4	3YL-13617-00	.STOPPER, REED VALVE 2	2	2	2	2	
5	98507-03006	.SCREW, PAN HEAD	6	6	6	6	
6	92907-03100	.WASHER	6	6	6	6	
7	5KE-13621-00	GASKET, VALVE SEAT	1	1	1	1	
8	5KE-13555-00	MANIFOLD, INTAKE	1	1	1	1	
9	5KE-13620-00	REED VALVE ASSY	1	1	1	1	
10	3XV-13613-01	.REED, VALVE	2	2	2	2	
11	2KM-13614-00	.REED, VALVE 2	2	2	2	2	
12	3YL-13617-00	.STOPPER, REED VALVE 2	2	2	2	2	
13	98507-03006	.SCREW, PAN HEAD	6	6	6	6	
14	92907-03100	.WASHER	6	6	6	6	
15	5KE-13622-00	GASKET, VALVE SEAT	1	1	1	1	
16	5KE-13565-00	JOINT, CARBURETOR	1	1	1	1	
17	91317-06025	BOLT	6	6	6	6	
18	91314-06020	BOLT	3	3	3	3	
19	90460-52210	CLAMP, HOSE	2	2	2	2	
20	5KE-2160A-00	BOX COMP.	1	1	1	1	
21	90480-25482	.GRÖMMET	1	1	1	1	
22	5KE-21240-00	BOX COMP.	1	1	1	1	
23	90480-25482	.GROMMET	2	2	2	2	

FWD
5KE1100-0070

FIG. 8 CARBURETOR



REF. NO.	PART NO.	DESCRIPTION	USA	EUR	OCE	JPN	REMARKS
1	5KE-14101-00	CARBURETOR ASSY 1	1	1	1	1	
2	5KE-14102-00	CARBURETOR ASSY 2	1	1	1	1	
3	5KE-14261-00	.HOLDER	1	1	1	1	
4	4PE-14194-00	.RING	1	1	1	1	
5	4TW-1410A-00	.STARTER SET	1	1	1	1	
6	3JD-14104-00	.AIR SCREW SET	1	1	1	1	
7	1FN-14565-00	.SCREW	1	1	1	1	
8	98507-04008	.SCREW, PAN HEAD	1	1	1	1	
9	353-14186-00	.PIN, FLOAT	1	1	1	1	
10	4TW-14107-15	.NEEDLE VALVE SET	1	1	1	1	
11	98507-04014	.SCREW, PAN HEAD	2	2	2	2	
12	4TW-14131-00	.SPRING, THROTTLE VALVE	1	1	1	1	
13	3XV-1410H-00	.FUEL CUT SOLENOID VALVE	1	1	1	1	
14	830-14231-11	.JET, MAIN (# 55)	1	1	1	1	STD
	830-14231-10	.JET, MAIN (# 50)	1	1	1	1	AP
15	5ET-14185-00	.FLOAT	1	1	1	1	
16	2K6-14147-00	.O-RING	1	1	1	1	
17	5ET-14115-00	.PLUG, SCREW	1	1	1	1	
18	5KE-1490J-00	.NEEDLE SET	1	1	1	1	
19	3TC-14141-S4	.NOZZLE, MAIN (S-4)	1	1	1	1	STD
	3TC-14141-R9	.NOZZLE, MAIN (R-9)	1	1	1	1	AP
	3TC-14141-S0	.NOZZLE, MAIN (S-0)	1	1	1	1	AP
	3TC-14141-S1	.NOZZLE, MAIN (S-1)	1	1	1	1	AP
	3TC-14141-S2	.NOZZLE, MAIN (S-2)	1	1	1	1	AP
20	4KM-14142-30	.JET, PILOT (# 30)	1	1	1	1	STD
	4KM-14142-25	.JET, PILOT (# 25)	1	1	1	1	AP
	4KM-14142-27	.JET, PILOT (# 27.5)	1	1	1	1	AP

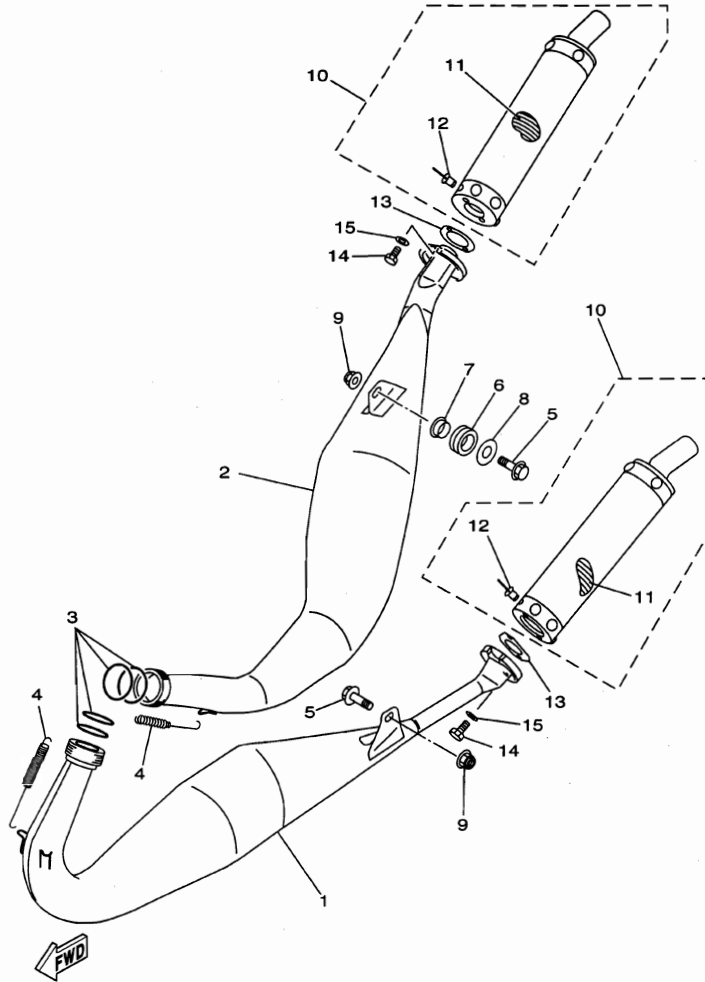


5KE1100-0080

FIG. 8 CARBURETOR

REF. NO.	PART NO.	DESCRIPTION	USA	EUR	OC	JPN	REMARKS
21	137-1414K-16	.JET, MAIN (#580)	1	1	1	1	STD
	137-1414K-00	.JET, MAIN (#500)	1	1	1	1	AP
	137-1414K-08	.JET, MAIN (#540)	1	1	1	1	AP
	137-1414K-12	.JET, MAIN (#560)	1	1	1	1	AP
	137-14143-70	.JET, MAIN (#350)	1	1	1	1	AP
	137-14143-72	.JET, MAIN (#360)	1	1	1	1	AP
	137-14143-74	.JET, MAIN (#370)	1	1	1	1	AP
	137-14143-76	.JET, MAIN (#380)	1	1	1	1	AP
	137-14143-78	.JET, MAIN (#390)	1	1	1	1	AP
	137-14143-80	.JET, MAIN (#400)	1	1	1	1	AP
	137-14143-82	.JET, MAIN (#410)	1	1	1	1	AP
	137-14143-84	.JET, MAIN (#420)	1	1	1	1	AP
	137-14143-86	.JET, MAIN (#430)	1	1	1	1	AP
	137-14143-88	.JET, MAIN (#440)	1	1	1	1	AP
	137-14143-90	.JET, MAIN (#450)	1	1	1	1	AP
	137-14143-92	.JET, MAIN (#460)	1	1	1	1	AP
	137-14143-94	.JET, MAIN (#470)	1	1	1	1	AP
	137-14143-96	.JET, MAIN (#480)	1	1	1	1	AP
	137-14143-98	.JET, MAIN (#490)	1	1	1	1	AP
22	5KE-14112-50	.VALVE, THROTTLE 1	1	1	1	1	
23	4TW-1416A-00	.O-RING	1	1	1	1	
24	5ET-14147-00	.O-RING	1	1	1	1	
25	98507-05014	.SCREW, PAN HEAD	3	3	3	3	
26	4TW-14197-00	.PIPE	2	2	2	2	
27	8J0-14251-00	.NIPPLE	1	1	1	1	

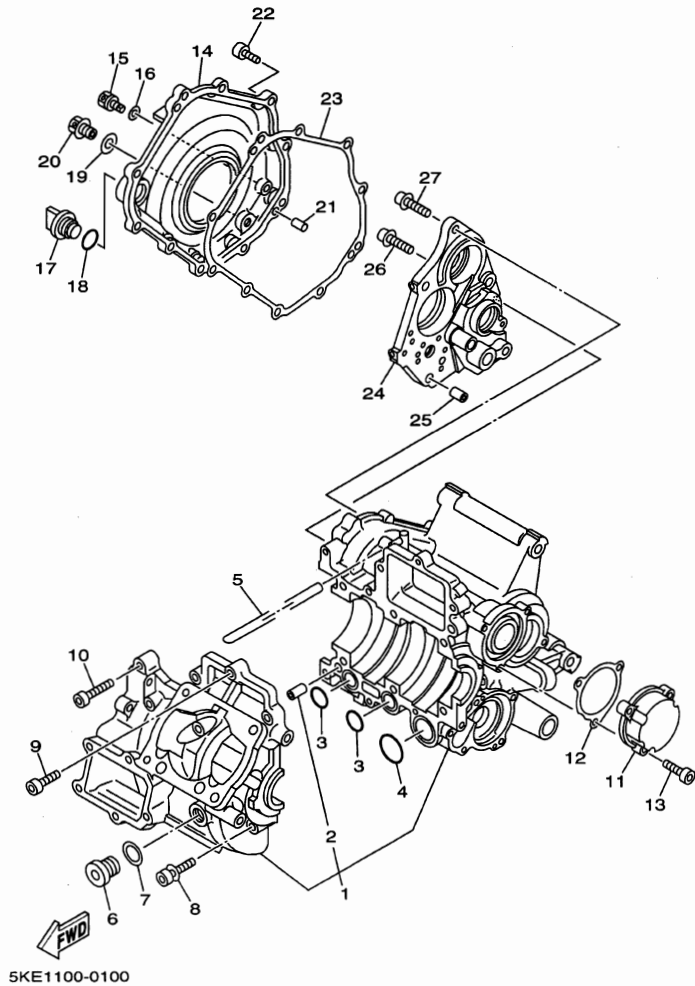
FIG. 9 EXHAUST



4TW4100-9090

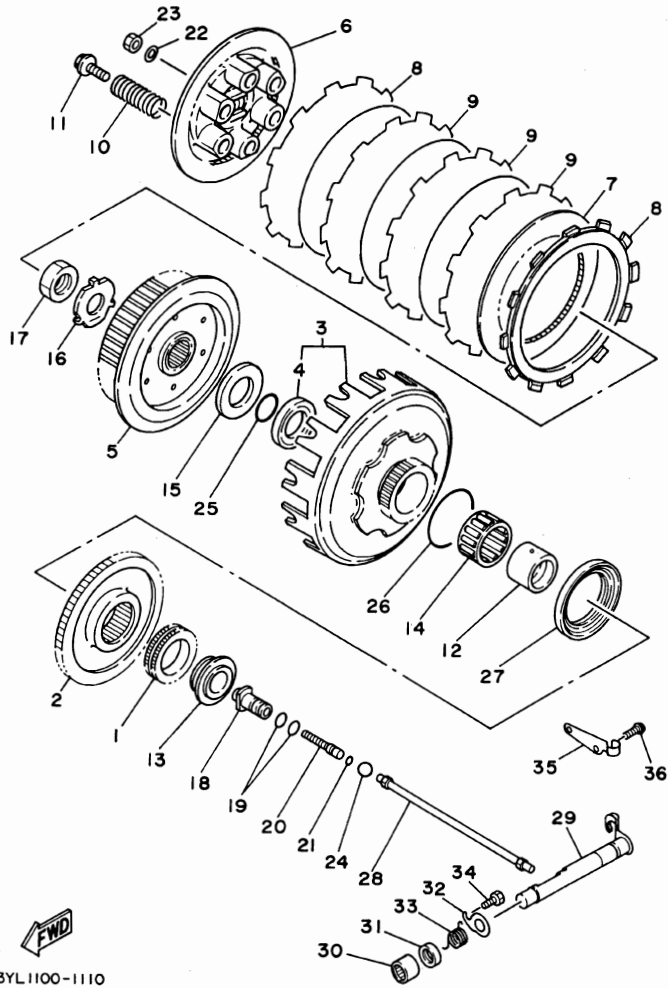
REF. NO.	PART NO.	DESCRIPTION	USA	EUR	OCE	JPN	REMARKS
1	5KE-14610-10	EXHAUST PIPE ASSY 1	1				
	5KE-14610-00	EXHAUST PIPE ASSY 1		1	1	1	
2	5KE-14620-10	EXHAUST PIPE ASSY 2	1				
	5KE-14620-00	EXHAUST PIPE ASSY 2		1	1	1	
3	93210-42728	O-RING	4	4	4	4	
4	90507-20035	SPRING, TENSION	4	4	4	4	
5	95027-08030	BOLT, FLANGE	2	2	2	2	
6	90480-20389	GROMMET	1	1	1	1	
7	90387-084Y3	COLLAR	1	1	1	1	
8	90202-08022	WASHER, PLATE	1	1	1	1	
9	90185-08097	NUT, SELF-LOCKING	2	2	2	2	
10	5KE-14753-00	SILENCER, EXHAUST	2	2	2	2	
11	4JT-1469A-00	.FIBER	1	1	1	1	
12	90267-48147	.RIVET, BLIND	10	10	10	10	
13	4DP-14755-00	GASKET, SILENCER	2	2	2	2	
14	97027-06020	BOLT	4	4	4	4	
15	92907-06600	WASHER, PLATE	4	4	4	4	

FIG. 10 CRANKCASE



REF. NO.	PART NO.	DESCRIPTION	USA	EUR	OC	JPN	REMARKS
1	5KE-15100-00	CRANKCASE ASSY	1	1	1	1	
2	99530-10014	.PIN, DOWEL	2	2	2	2	
3	93210-19758	O-RING	2	2	2	2	
4	93210-28543	O-RING	1	1	1	1	
5	90445-093H5	HOSE	1	1	1	1	
6	90340-18101	PLUG, STRAIGHT SCREW	1	1	1	1	
7	90201-183H2	WASHER, PLATE	1	1	1	1	
8	90109-084F1	BOLT	6	6	6	6	
9	91317-06030	BOLT	5	5	5	5	
10	91314-06035	BOLT	3	3	3	3	
11	5KE-15411-00	COVER, CRANKCASE 1	1	1	1	1	
12	5KE-15451-00	GASKET, CRANKCASE COVER 1	1	1	1	1	
13	91317-06025	BOLT	3	3	3	3	
14	5KE-15421-00	COVER, CRANKCASE 2	1	1	1	1	
15	90338-06041	PLUG	1	1	1	1	
16	90430-06166	GASKET	1	1	1	1	
17	4A0-15363-00	PLUG, OIL	1	1	1	1	
18	93210-21190	O-RING	1	1	1	1	
19	90430-12202	GASKET	1	1	1	1	
20	90340-12144	PLUG, STRAIGHT SCREW	1	1	1	1	
21	93606-12019	PIN, DOWEL	2	2	2	2	
22	91317-06020	BOLT	10	10	10	10	
23	5KE-15461-00	GASKET, CRANKCASE COVER 2	1	1	1	1	
24	5KE-15131-00	CRANKCASE 3	1	1	1	1	
25	99530-10014	PIN, DOWEL	2	2	2	2	
26	90109-06028	BOLT	2	2	2	2	
27	90109-06029	BOLT	4	4	4	4	

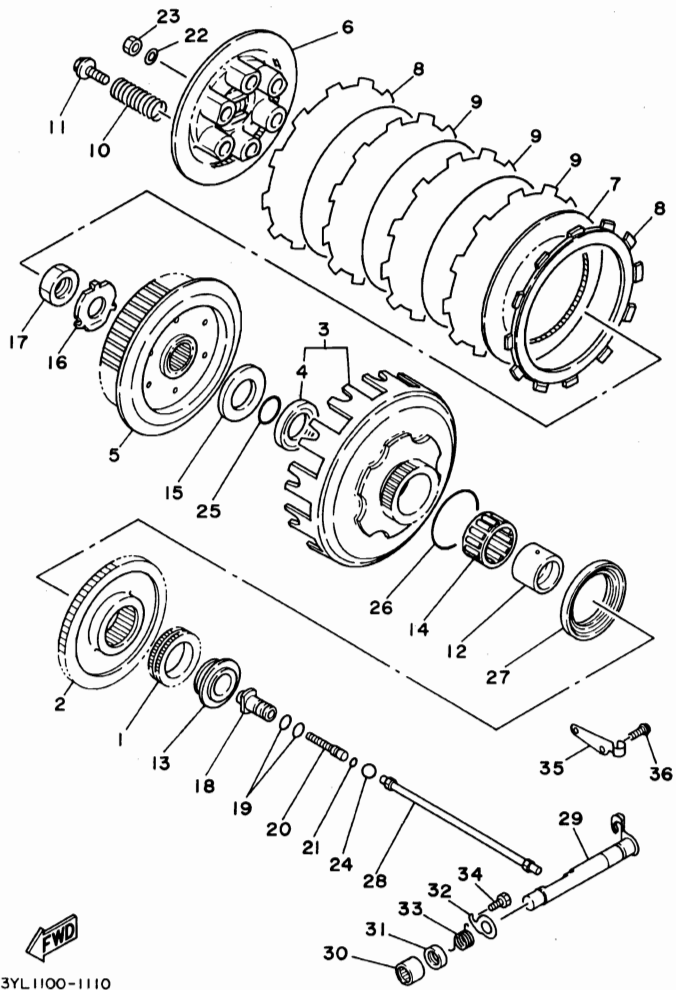
FIG. 11 CLUTCH



3YL1100-1110

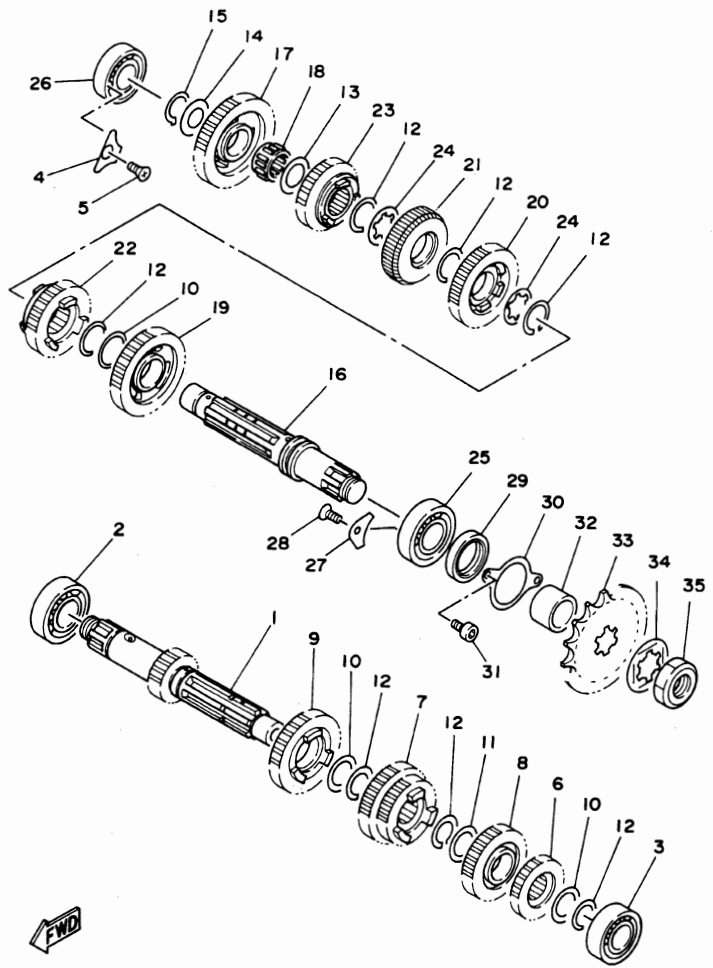
REF. NO.	PART NO.	DESCRIPTION	USA	EUR	OCE	JPN	REMARKS
1	4DP-13324-00	GEAR, PUMP DRIVE	1	1	1	1	
2	5KE-16151-00	GEAR, PRIMARY DRIVEN	1	1	1	1	
3	5KE-16310-00	CLUTCH HOUSING ASSY	1	1	1	1	
4	93102-30243	OIL SEAL	1	1	1	1	
5	3R4-16371-00	BOSS, CLUTCH	1	1	1	1	
6	26J-16351-00	PLATE, PRESSURE 1	1	1	1	1	
7	168-16324-00	PLATE, CLUTCH 1	5	5	5	5	
8	3YL-16321-01	PLATE, FRICTION	2	2	2	2	
9	3AK-16321-00	PLATE, FRICTION	4	4	4	4	
10	90501-230A5	SPRING, COMPRESSION	6	6	6	6	
11	90159-06016	SCREW, WITH WASHER	6	6	6	6	
12	5F7-16181-00	SPACER 1	1	1	1	1	
13	3YL-16154-00	PLATE, THRUST 1	1	1	1	1	
14	93310-332J5	BEARING	1	1	1	1	
15	5F7-16153-00	WASHER, THRUST	1	1	1	1	
16	90215-20212	WASHER, LOCK	1	1	1	1	
17	90170-20255	NUT	1	1	1	1	
18	59W-16356-00	ROD, PUSH 1	1	1	1	1	
19	93210-09165	O-RING	2	2	2	2	
20	5F7-16343-00	SCREW, ADJUSTING	1	1	1	1	
21	93210-04279	O-RING	1	1	1	1	
22	92907-06200	WASHER	1	1	1	1	
23	95307-06600	NUT	1	1	1	1	
24	93515-32029	BALL	1	1	1	1	
25	93210-22164	O-RING	1	1	1	1	
26	93210-42482	O-RING	1	1	1	1	
27	93101-56095	OIL SEAL	1	1	1	1	

FIG. 11 CLUTCH



3YL1100-1110

REF. NO.	PART NO.	DESCRIPTION	USA	EUR	OCE	JPN	REMARKS
28	5KE-16357-00	ROD, PUSH 2	1	1	1	1	
29	5KE-16381-00	PUSH LEVER COMP.	1	1	1	1	
30	93315-11206	BEARING	1	1	1	1	
31	93102-12224	OIL SEAL	1	1	1	1	
32	3XV-16384-00	PLATE, SEAT	1	1	1	1	
33	90508-121A2	SPRING, TORSION	1	1	1	1	
34	91317-05010	BOLT	1	1	1	1	
35	3YL-15441-00	HOLDER, CLUTCH CABLE	1	1	1	1	
36	95027-06012	BOLT, FLANGE	2	2	2	2	



4DP2100-3121

FIG. 12 TRANSMISSION

REF. NO.	PART NO.	DESCRIPTION	USA	EUR	OC	JPN	REMARKS
1	5KE-17411-20	AXLE, MAIN (18T)	1	1	1	1	STD
	5KE-17411-10	AXLE, MAIN (14T)	1	1	1	1	AP
2	93306-20526	BEARING (B6205)	1	1	1	1	
3	93306-00442	BEARING	1	1	1	1	
4	5KE-15381-00	PLATE, BEARING COVER	1	1	1	1	
5	90151-06001	SCREW, COUNTERSUNK	1	1	1	1	
6	4DP-17121-11	GEAR, 2ND PINION (21T)	1	1	1	1	
7	5KE-17131-00	GEAR, 3RD/4TH PINION (23T/25T)	1	1	1	1	STD
	5KE-17131-10	GEAR, 3RD/4TH PINION (21T/25T)	1	1	1	1	AP
8	5F7-17151-01	GEAR, 5TH PINION (27T)	1	1	1	1	
9	5KE-17161-00	GEAR, 6TH PINION (22T)	1	1	1	1	STD
10	5KE-17161-10	GEAR, 6TH PINION (25T)	1	1	1	1	AP
	90201-253K0	WASHER, PLATE (T=1.0)	3	3	3	3	UN
	90201-256E6	WASHER, PLATE (T=0.9)	3	3	3	3	UN
11	90201-256E4	WASHER, PLATE (T=1.5)	1	1	1	1	
12	93440-25084	CIRCLIP	7	7	7	7	
13	90201-20276	WASHER, PLATE (1.0T)	1	1	1	1	
14	90201-20276	WASHER, PLATE (1.0T)	1	1	1	1	UN
	90201-206E5	WASHER, PLATE (0.9T)	1	1	1	1	UN
15	99009-20400	CIRCLIP	1	1	1	1	
16	5KE-17421-00	AXLE, DRIVE	1	1	1	1	
17	5KE-17211-20	GEAR, 1ST WHEEL (34T)	1	1	1	1	STD
	5KE-17211-10	GEAR, 1ST WHEEL (28T)	1	1	1	1	AP
18	93310-22057	BEARING (K20-24X10 S)	1	1	1	1	
19	4DP-17221-11	GEAR, 2ND WHEEL (31T)	1	1	1	1	
20	5KE-17231-00	GEAR, 3RD WHEEL (29T)	1	1	1	1	STD
	5KE-17231-10	GEAR, 3RD WHEEL (26T)	1	1	1	1	AP

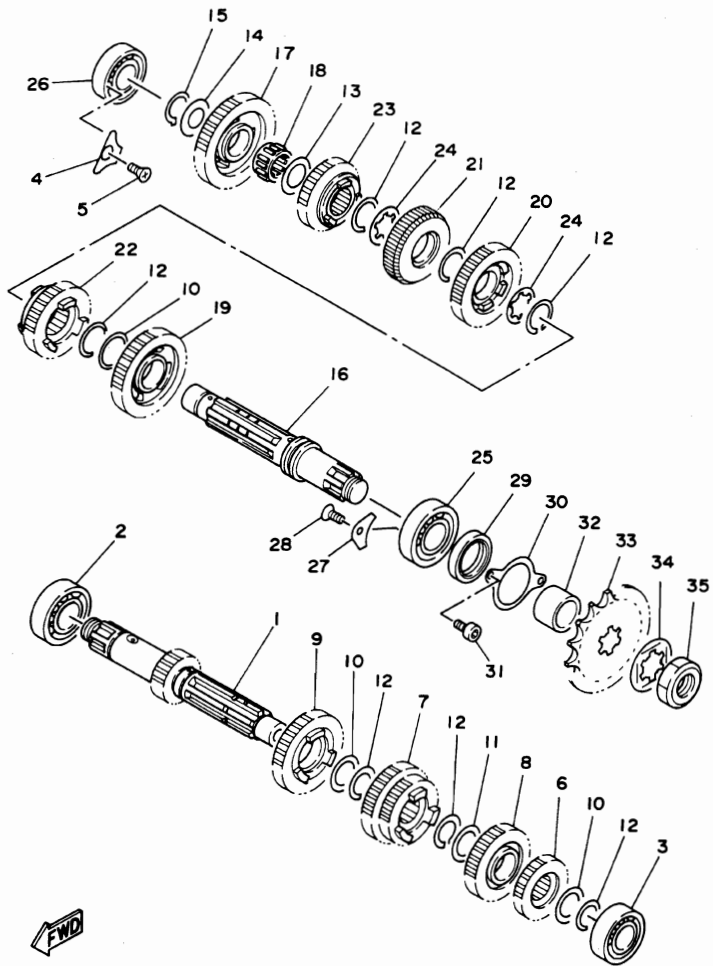
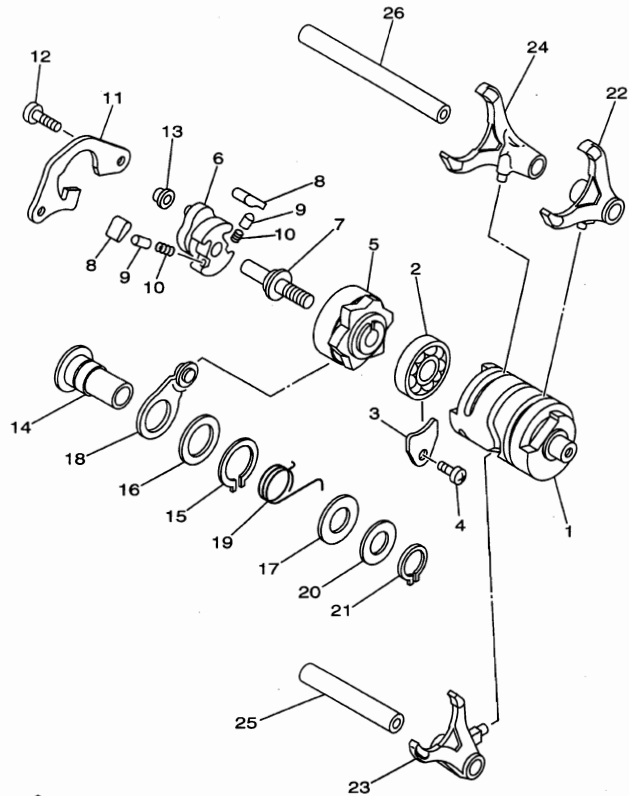


FIG. 12 TRANSMISSION

REF. NO.	PART NO.	DESCRIPTION	USA	EUR	OC	JPN	REMARKS
20	5KE-17231-20	GEAR, 3RD WHEEL (25T)	1	1	1	1	AP
21	5KE-17241-00	GEAR, 4TH WHEEL (27T)	1	1	1	1	
22	3YL-17251-00	GEAR, 5TH. WHEEL (26T)	1	1	1	1	
23	5KE-17261-00	GEAR, 6TH WHEEL (20T)	1	1	1	1	STD
	5KE-17261-10	GEAR, 6TH WHEEL (22T)	1	1	1	1	AP
24	5F7-17136-00	WASHER (0.7T)	2	2	2	2	UN
	90209-22082	WASHER (0.5T)	2	2	2	2	UN
25	93306-20574	BEARING	1	1	1	1	
26	93306-20470	BEARING	1	1	1	1	
27	4JT-15381-01	PLATE, BEARING COVER	1	1	1	1	
28	90151-06001	SCREW, COUNTERSUNK	1	1	1	1	
29	93102-32337	OIL SEAL	1	1	1	1	
30	3AK-17471-00	PLATE, COVER	1	1	1	1	
31	91317-05012	BOLT	2	2	2	2	
32	90387-25001	COLLAR	1	1	1	1	
33	93834-14178	SPROCKET, DRIVE (14T)	1	1	1	1	STD
	93834-15079	SPROCKET, DRIVE (15T)	1	1	1	1	AP
	93834-16104	SPROCKET, DRIVE (16T)	1	1	1	1	AP
34	90215-21121	WASHER, LOCK	1	1	1	1	
35	90179-20255	NUT	1	1	1	1	

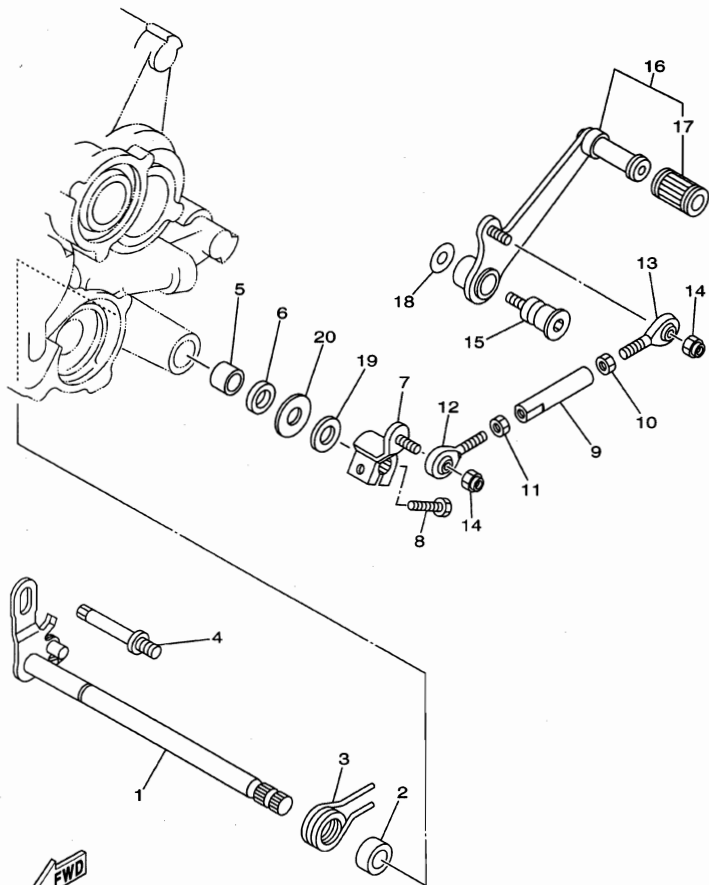
4DP2100-3121

FIG. 13 SHIFT CAM. FORK



FWD
5KE1100-0130

REF. NO.	PART NO.	DESCRIPTION	USA	EUR	OC	JPN	REMARKS
1	5KE-18541-00	CAM, SHIFT	1	1	1	1	
2	93306-90302	BEARING	1	1	1	1	
3	3XV-18562-00	PLATE, STOPPER 2	1	1	1	1	
4	90157-05004	SCREW, PAN HEAD	1	1	1	1	
5	3YL-18185-00	SEGMENT	1	1	1	1	
6	3XV-18122-00	LEVER, SHIFT 2	1	1	1	1	
7	3XV-18173-00	PIN, SHIFT	1	1	1	1	
8	3YL-18182-00	PAWL, SHIFTER	2	2	2	2	
9	3YL-18184-00	PIN, PAWL	2	2	2	2	
10	90501-052G5	SPRING, COMPRESSION	2	2	2	2	
11	5KE-18172-00	GUIDE, SHIFT	1	1	1	1	
12	91318-06014	BOLT	2	2	2	2	
13	3XJ-18178-00	ROLLER, SHIFT LEVER	1	1	1	1	
14	90387-127V3	COLLAR	1	1	1	1	
15	99009-17400	CIRCLIP	1	1	1	1	
16	90201-177G4	WASHER, PLATE	1	1	1	1	
17	90201-154E8	WASHER, PLATE (1.0T)	1	1	1	1	
18	3XV-18140-00	STOPPER LEVER ASSY	1	1	1	1	
19	90508-231A5	SPRING, TORSION	1	1	1	1	
20	90201-127E1	WASHER, PLATE	1	1	1	1	
21	99009-12400	CIRCLIP	1	1	1	1	
22	5KE-18511-00	FORK, SHIFT 1	1	1	1	1	
23	5KE-18512-00	FORK, SHIFT 2	1	1	1	1	
24	5KE-18513-00	FORK, SHIFT 3	1	1	1	1	
25	3XV-18531-00	BAR, SHIFT FORK GUIDE 1	1	1	1	1	
26	5KE-18535-00	BAR, SHIFT FORK GUIDE 2	1	1	1	1	



5KE1100-0140

FIG. 14 SHIFT SHAFT

REF. NO.	PART NO.	DESCRIPTION	USA	EUR	OC	JPN	REMARKS
1	5KE-18101-00	SHIFT SHAFT ASSY	1	1	1	1	
2	90560-12361	SPACER	1	1	1	1	
3	90508-29742	SPRING, TORSION	1	1	1	1	
4	3MA-18127-00	STOPPER, SCREW	1	1	1	1	
5	90383-12013	BUSH, FORMED	1	1	1	1	
6	93109-12012	OIL SEAL	1	1	1	1	
7	4DP-18112-00	ARM, SHIFT	1	1	1	1	
8	97017-06020	BOLT	1	1	1	1	
9	5F7-18115-00	ROD, SHIFT	1	1	1	1	
10	90170-06228	NUT(COUNTER CLOCKWISE)	1	1	1	1	
11	95304-06700	NUT	1	1	1	1	
12	3TC-18116-00	JOINT, ROD 1	1	1	1	1	
13	3TC-18117-00	JOINT, ROD 2	1	1	1	1	
14	95607-06100	NUT, U	2	2	2	2	
15	90109-087F6	BOLT	1	1	1	1	
16	4DP-18110-00	SHIFT PEDAL ASSY	1	1	1	1	
17	3FV-18113-00	.COVER, SHIFT PEDAL	1	1	1	1	
18	90201-087F0	WASHER, PLATE	1	1	1	1	
19	90560-12075	SPACER	1	1	1	1	
20	90201-12588	WASHER, PLATE	1	1	1	1	

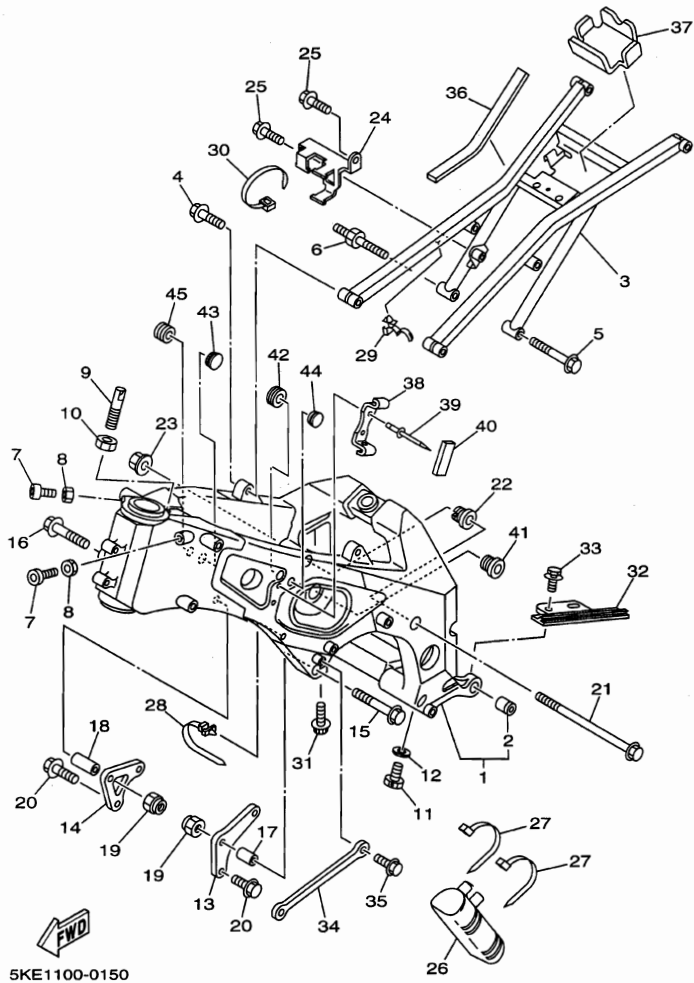
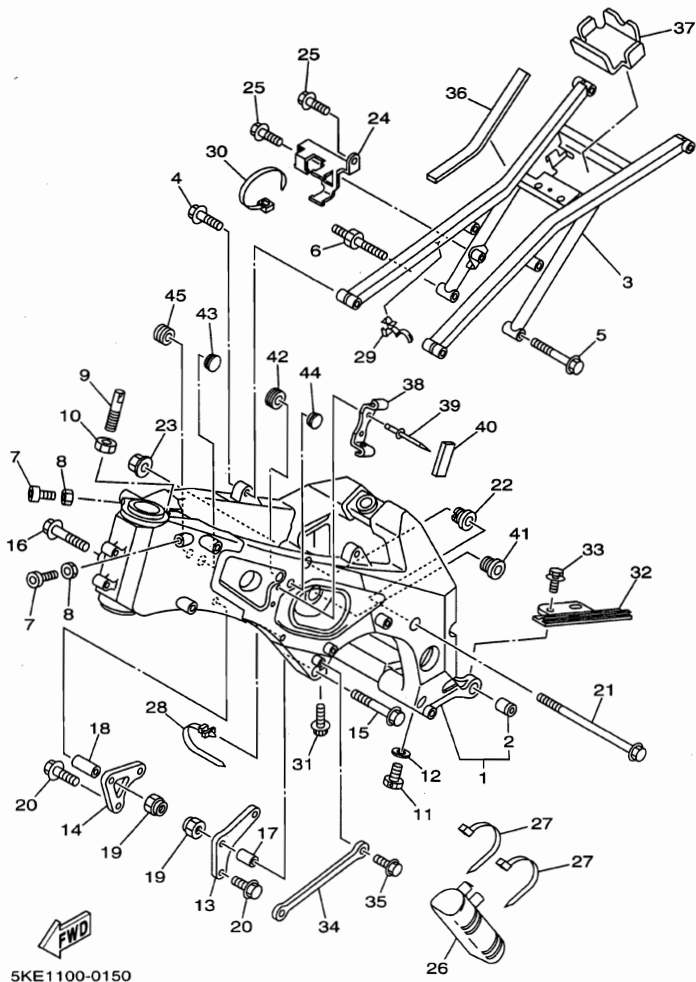


FIG. 15 FRAME

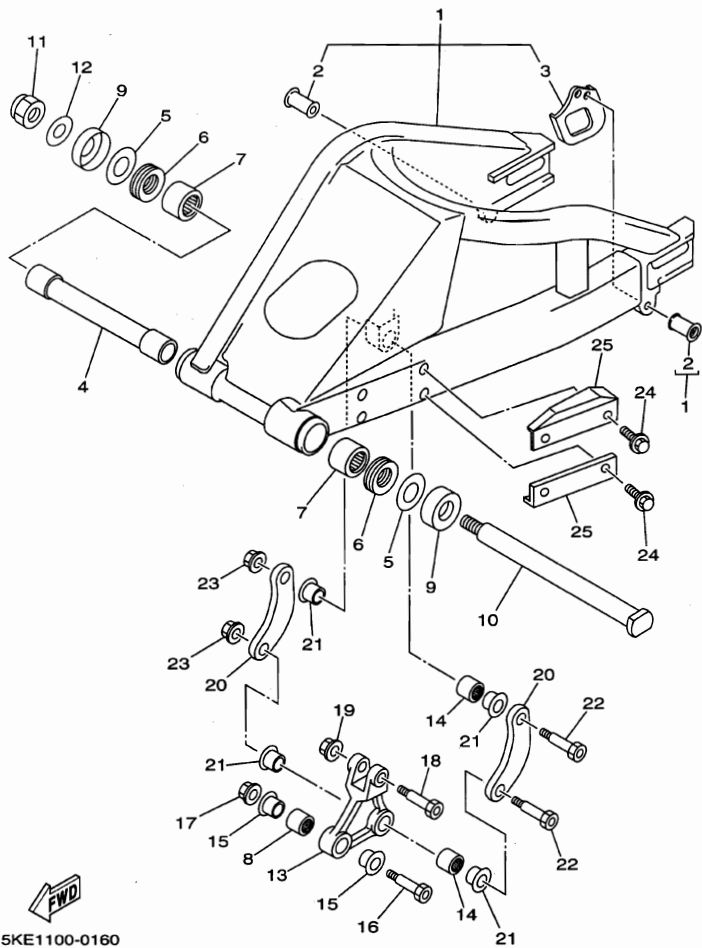
REF. NO.	PART NO.	DESCRIPTION	USA	EUR	OC	JPN	REMARKS
1	5KE-21110-00	FRAME COMP.	1	1	1	1	
2	36Y-27414-00	.DAMPER, FOOTREST	1	1	1	1	
3	4TW-21190-02	REAR FRAME COMP.	1	1	1	1	
4	95027-06025	BOLT, FLANGE	2	2	2	2	
5	95027-06045	BOLT, FLANGE	1	1	1	1	
6	4TW-2171V-00	BOLT	1	1	1	1	
7	91317-06020	BOLT	2	2	2	2	
8	95307-06600	NUT	2	2	2	2	
9	4TW-2134T-00	BOLT, TANK FITTING	1	1	1	1	
10	95307-08700	NUT	1	1	1	1	
11	90338-06041	PLUG	2	2	2	2	
12	90430-06166	GASKET	2	2	2	2	
13	5KE-21411-00	BRACKET, ENGINE 1	1	1	1	1	
14	5KE-21419-00	BRACKET, ENGINE 2	1	1	1	1	
15	95827-10045	BOLT, FLANGE	1	1	1	1	
16	95827-10060	BOLT, FLANGE	1	1	1	1	
17	5KE-2119R-00	SLEEVE	1	1	1	1	
18	5KE-2119T-00	SLEEVE 2	1	1	1	1	
19	95607-10200	NUT, SELF-LOCKING	2	2	2	2	
20	95027-08020	BOLT, FLANGE	4	4	4	4	
21	90105-10300	BOLT, WASHER BASED	2	2	2	2	
22	4JT-21495-10	BOLT, ENGINE ADJUSTING	2	2	2	2	
23	90179-10696	NUT	2	2	2	2	
24	5KE-2134V-00	BRACKET	1	1	1	1	
25	95027-06012	BOLT, FLANGE	2	2	2	2	
26	3YL-21751-00	TANK, OIL	1	1	1	1	
27	90465-13275	CLAMP	2	2	2	2	



5KE1100-0150

FIG. 15 FRAME

REF. NO.	PART NO.	DESCRIPTION	USA	EUR	OC	JPN	REMARKS
28	90464-12089	CLAMP	2	2	2	2	
29	90464-18246	CLAMP	3	3	3	3	
30	90465-13152	CLAMP	1	1	1	1	
31	90109-067E6	BOLT	2	2	2	2	
32	4TW-22151-00	SEAL, GUARD	1	1	1	1	
33	90119-05239	BOLT, WITH WASHER	2	2	2	2	
34	4TW-2117A-00	STAY	1	1	1	1	
35	95027-06012	BOLT, FLANGE	1	1	1	1	
36	1KT-82122-00	SEAT, BATTERY	2	2	2	2	
37	5KE-21747-00	DAMPER	1	1	1	1	
38	5KE-2139V-00	HOOK	1	1	1	1	
39	90267-32018	RIVET, BLIND	2	2	2	2	
40	50M-21638-00	DAMPER 1	1	1	1	1	
41	4DP-21495-00	BOLT, ENGINE ADJUSTING	1	1	1	1	
42	90480-18276	GROMMET	1	1	1	1	
43	90338-18266	PLUG	1	1	1	1	
44	90480-14153	GROMMET	1	1	1	1	
45	90480-14585	GROMMET	1	1	1	1	



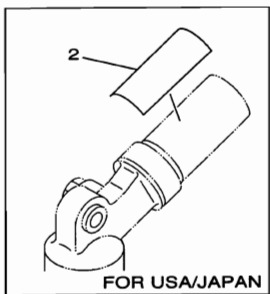
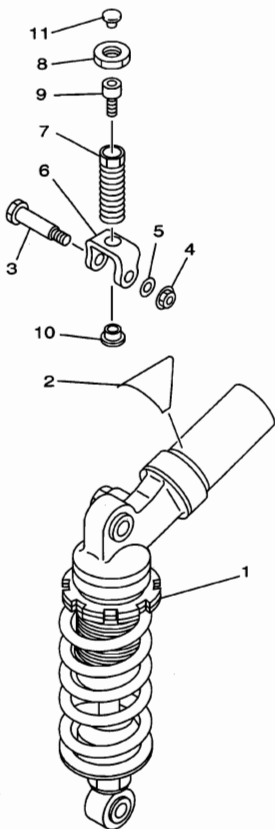
SKE1100-0160

FIG. 16 REAR ARM

REF. NO.	PART NO.	DESCRIPTION	USA	EUR	OE	JPN	REMARKS
1	4TW-22110-02	REAR ARM COMP.	1	1	1	1	
2	4JT-2216F-10	.HOOK	2	2	2	2	
3	4TW-22187-10	.GUIDE, CHAIN	1	1	1	1	
4	3XV-22184-00	BUSH	1	1	1	1	
5	1X2-22127-00	SHIM	2	2	2	2	UN
6	93342-22516	BEARING	2	2	2	2	
7	93315-42523	BEARING	2	2	2	2	
8	93320-21507	BEARING	1	1	1	1	
9	3FV-22128-00	COVER, THRUST 1	2	2	2	2	
10	3MA-22141-01	SHAFT, PIVOT	1	1	1	1	
11	90185-18104	NUT, SELF-LOCKING	1	1	1	1	
12	92907-18200	WASHER	1	1	1	1	
13	5KE-2217A-00	ARM, RELAY	1	1	1	1	
14	93320-21507	BEARING	2	2	2	2	
15	90387-124Y8	COLLAR	2	2	2	2	
16	90101-10709	BOLT	1	1	1	1	
17	95607-10200	NUT, SELF-LOCKING	1	1	1	1	
18	90101-10709	BOLT	1	1	1	1	
19	95607-10200	NUT, SELF-LOCKING	1	1	1	1	
20	5KE-2217F-00	ROD, CONNECTING 1	2	2	2	2	
21	90387-124Y8	COLLAR	4	4	4	4	
22	90101-10709	BOLT	2	2	2	2	
23	95607-10200	NUT, SELF-LOCKING	2	2	2	2	
24	90119-06227	BOLT, WITH WASHER	4	4	4	4	
25	4TW-22147-00	PROTECTOR, CHAIN	2	2	2	2	

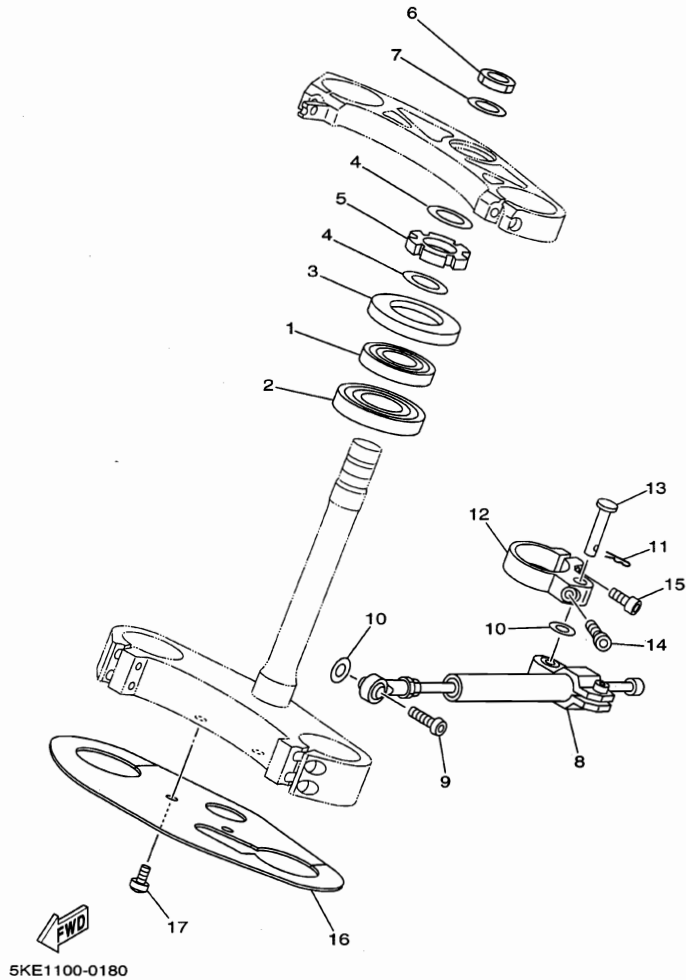
FIG. 17 REAR SUSPENSION

REF. NO.	PART NO.	DESCRIPTION	USA	EUR	OCE	JPN	REMARKS
1	5KE-22210-00	SHOCK ABSORBER ASSY, REAR	1	1	1	1	
2	4AA-22259-00	LABEL, WARNING	1				
	4AA-22259-40	LABEL, WARNING			1	1	
	4AA-22259-50	LABEL, WARNING				1	
3	90101-10709	BOLT	1	1	1	1	
4	95607-10200	NUT, SELF-LOCKING	1	1	1	1	
5	90201-127J6	WASHER, PLATE	1	1	1	1	
6	4JT-22219-00	BRACKET, UPPER	1	1	1	1	
7	4JT-22239-00	ADJUSTER	1	1	1	1	
8	1RK-22251-00	NUT 1	1	1	1	1	
9	91317-10016	BOLT	1	1	1	1	
10	3AK-22252-00	NUT	1	1	1	1	
11	90480-14153	GROMMET	1	1	1	1	

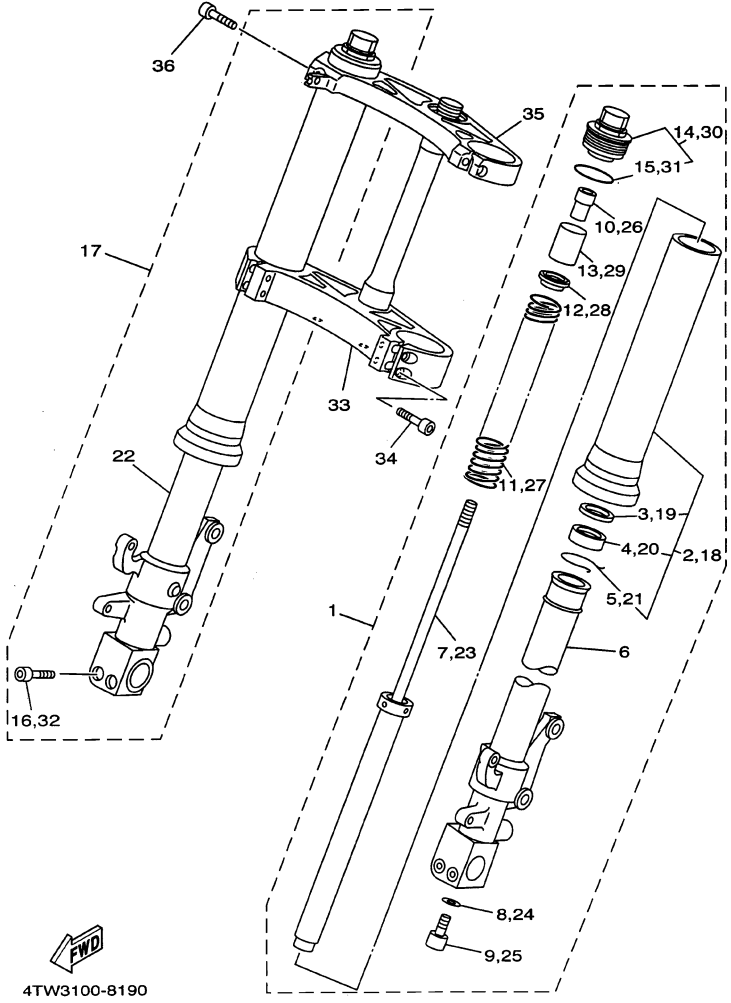


4TW4100-9170

FIG. 18 STEERING



REF. NO.	PART NO.	DESCRIPTION	USA	EUR	OCE	JPN	REMARKS
1	93332-00001	BEARING	1	1	1	1	
2	93332-00081	BEARING	1	1	1	1	
3	1J7-23415-00	COVER, BALL RACE 1	1	1	1	1	
4	90201-25526	WASHER, PLATE (T2.0)	2	2	2	2	
5	90179-25033	NUT	1	1	1	1	
6	1RK-22251-00	NUT 1	1	1	1	1	
7	90201-225A4	WASHER, PLATE (T=1.0)	1	1	1	1	
8	5KE-23490-00	HANDLEBAR SHIMMY DAMPER ASSY	1	1	1	1	
9	92017-08025	BOLT, BUTTON HEAD	1	1	1	1	
10	90201-08455	WASHER, PLATE	2	2	2	2	
11	90468-16099	CLIP	1	1	1	1	
12	5KE-23495-00	STAY, DAMPER	1	1	1	1	
13	91701-08038	PIN, CLEVIS	1	1	1	1	
14	91317-05016	BOLT	1	1	1	1	
15	91317-06020	BOLT	1	1	1	1	
16	5KE-21552-00	FENDER, INNER	1	1	1	1	
17	98907-06010	SCREW, BIND	2	2	2	2	



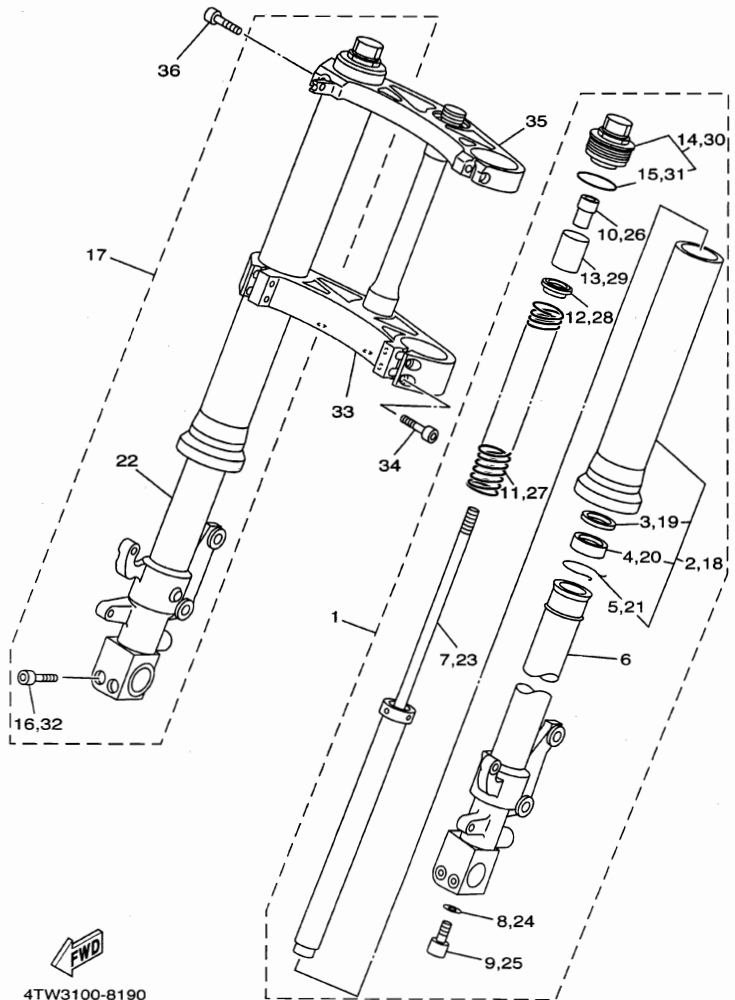
4TW3100-8190

FIG. 19 FRONT FORK

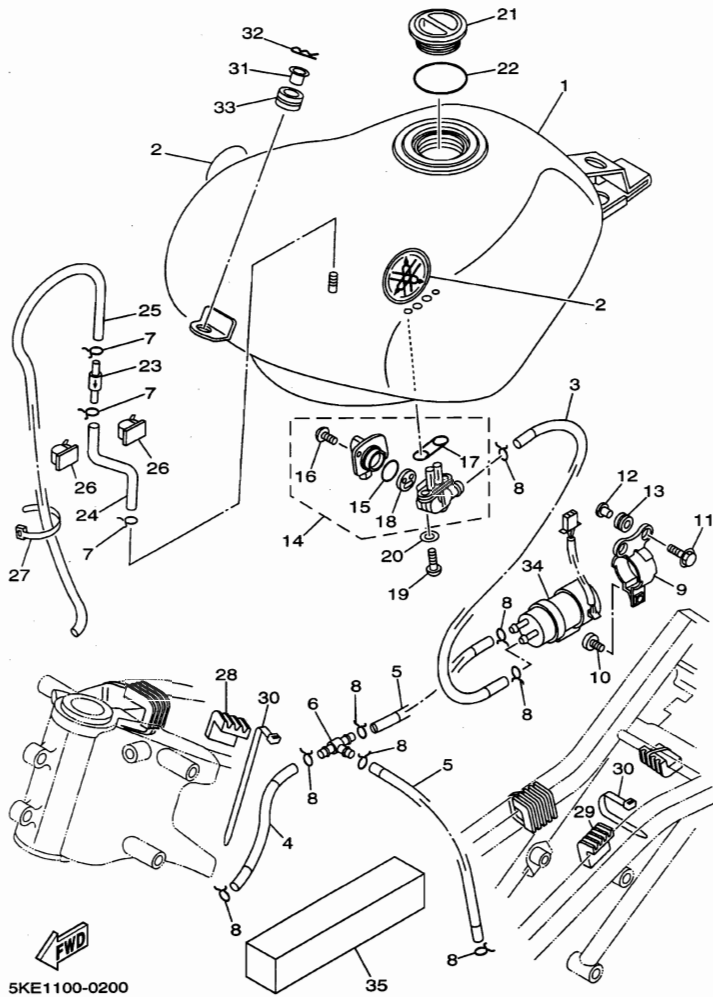
REF. NO.	PART NO.	DESCRIPTION	USA	EUR	OC	UPN	REMARKS
1	5KE-23102-00	FRONT FORK ASSY (L.H)	1	1	1	1	
2	5KE-23136-00	.TUBE, OUTER (RIGHT)	1	1	1	1	
3	36Y-23146-10	..WASHER, OIL SEAL	1	1	1	1	
4	3JD-23145-L0	..OIL SEAL	1	1	1	1	
5	26H-23156-00	..CLIP, OIL SEAL	1	1	1	1	
6	5KE-23110-00	..INNER TUBE COMP.1	1	1	1	1	
7	5KE-23170-00	..CYLINDER COMP., FRONT FORK	1	1	1	1	
8	2K8-23158-L0	..GASKET	1	1	1	1	
9	3LC-23181-00	..BOLT, HEXAGON SOCKET HEAD	1	1	1	1	
10	4TW-23357-10	..NUT	1	1	1	1	
11	3YL-23141-00	..SPRING, FRONT FORK	1	1	1	1	
12	4TW-23142-10	..SEAT, SPRING UPPER	1	1	1	1	
13	4TW-23118-10	..SPACER	1	1	1	1	
14	4TW-23111-10	..BOLT, CAP	1	1	1	1	
15	3SP-23147-M0	..O-RING	1	1	1	1	
16	91311-06040	..BOLT	2	2	2	2	
17	5KE-23103-00	FRONT FORK ASSY (R.H)	1	1	1	1	
18	5KE-23136-00	.TUBE, OUTER (RIGHT)	1	1	1	1	
19	36Y-23146-10	..WASHER, OIL SEAL	1	1	1	1	
20	3JD-23145-L0	..OIL SEAL	1	1	1	1	
21	26H-23156-00	..CLIP, OIL SEAL	1	1	1	1	
22	5KE-23120-00	..INNER TUBE COMP.2	1	1	1	1	
23	5KE-23170-00	..CYLINDER COMP., FRONT FORK	1	1	1	1	
24	2K8-23158-L0	..GASKET	1	1	1	1	
25	3LC-23181-00	..BOLT, HEXAGON SOCKET HEAD	1	1	1	1	
26	4TW-23357-10	..NUT	1	1	1	1	
27	3YL-23141-00	..SPRING, FRONT FORK	1	1	1	1	

FIG. 19 FRONT FORK

REF. NO.	PART NO.	DESCRIPTION	USA	EUR	OCE	JPN	REMARKS
28	4TW-23142-10	.SEAT, SPRING UPPER	1	1	1	1	
29	4TW-23118-10	.SPACER	1	1	1	1	
30	4TW-23111-10	.BOLT, CAP	1	1	1	1	
31	3SP-23147-M0	.O-RING	1	1	1	1	
32	91311-06040	.BOLT	2	2	2	2	
33	4TW-23340-20	UNDER BRACKET COMP.	1	1	1	1	
34	91311-08035	BOLT	4	4	4	4	
35	4TW-23435-00	CROWN, HANDLE	1	1	1	1	
36	91317-08035	BOLT	2	2	2	2	




4TW3100-8190



5KE1100-0200

FIG. 20 FUEL TANK

REF. NO.	PART NO.	DESCRIPTION	USA	EUR	OCÉ	JPN	REMARKS
1	5KE-24110-00-36	FUEL TANK COMP.	1	1	1	1	WW
2	5KE-2411B-00	EMBLEM	2	2	2	2	
3	5KE-24311-00	PIPE, FUEL 1	1	1	1	1	
4	5KE-24312-00	PIPE 2	1	1	1	1	
5	5KE-24313-00	PIPE 3	2	2	2	2	
6	1X2-24376-00	JOINT, FUEL PIPE	1	1	1	1	
7	90467-09006	CLIP	3	3	3	3	
8	90467-10008	CLIP	8	8	8	8	
9	3CV-24491-10	BRACKET, FUEL PUMP	1	1	1	1	
10	98907-05008	SCREW, BIND	1	1	1	1	
11	90119-06096	BOLT, WITH WASHER	2	2	2	2	
12	90387-06737	COLLAR	2	2	2	2	
13	90480-13163	GROMMET	2	2	2	2	
14	4JT-24500-00	FUEL COCK ASSY 1	1	1	1	1	
15	3AJ-24534-00	.SEAL, COCK	1	1	1	1	
16	97801-03008	.SCREW, PAN HEAD	2	2	2	2	
17	4X8-24512-00	.O-RING	1	1	1	1	
18	3AJ-24523-00	.VALVE PACKING	1	1	1	1	
19	90149-06011	SCREW	2	2	2	2	
20	90202-05193	WASHER, PLATE	2	2	2	2	
21	4JT-24611-00	BODY, CAP	1	1	1	1	
22	4JT-24612-00	GASKET, CAP	1	1	1	1	
23	3XJ-24380-00	PIPE JOINT ASSY	1	1	1	1	
24	91A20-05020	TUBE, FLEXIBLE VINYL	1	1	1	1	
25	91A20-05065	TUBE, FLEXIBLE VINYL	1	1	1	1	
26	90464-25160	CLAMP	2	2	2	2	
27	90465-13152	CLAMP	1	1	1	1	

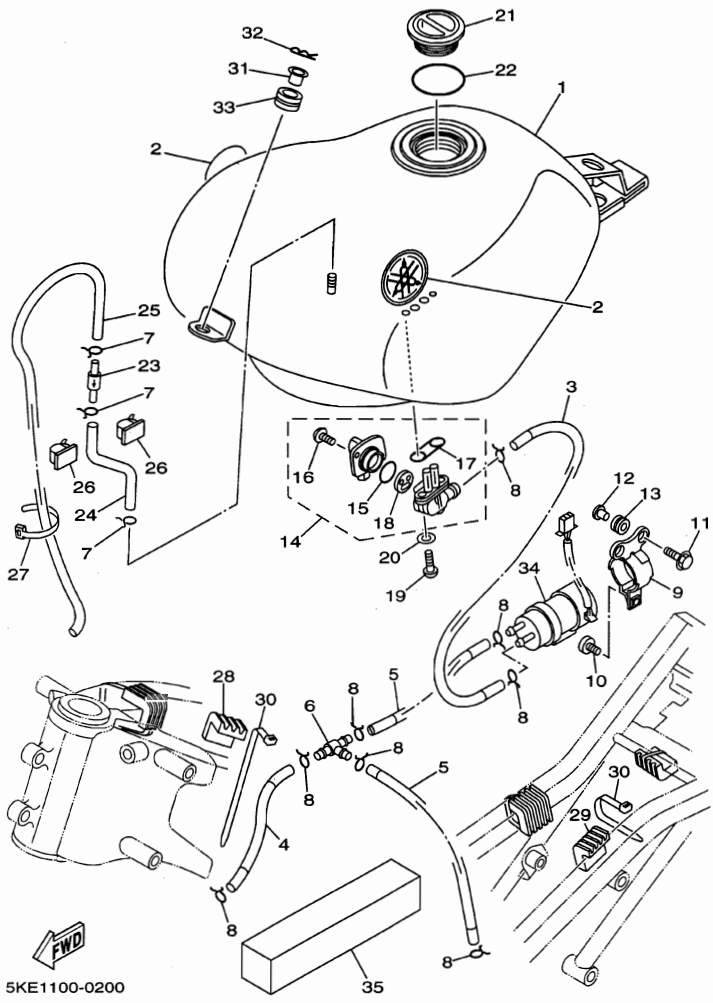
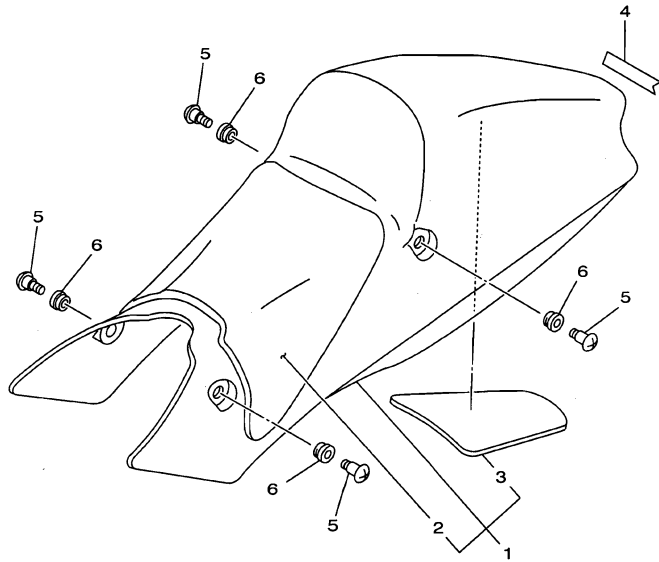


FIG. 20 FUEL TANK

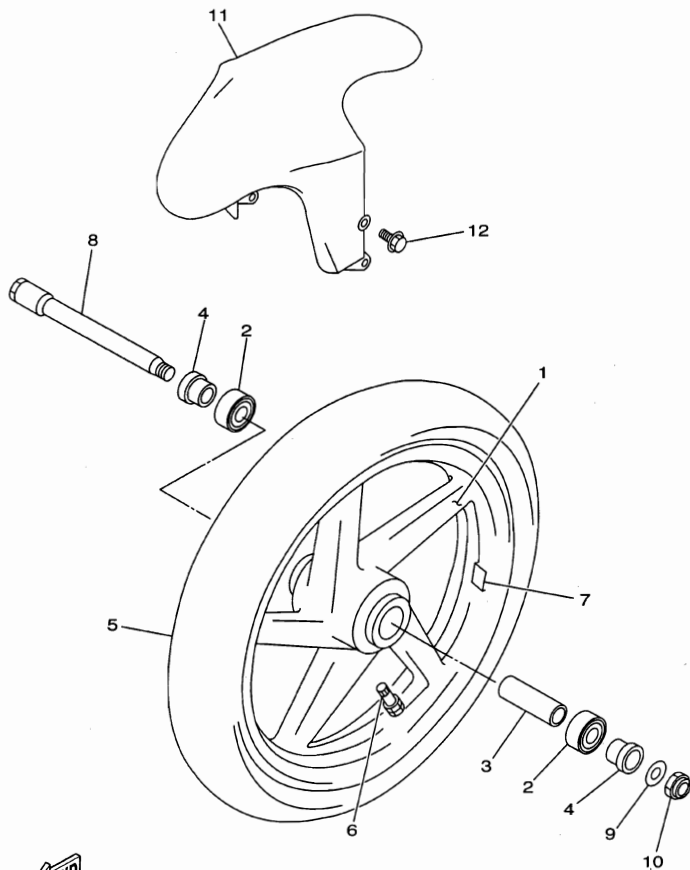
REF. NO.	PART NO.	DESCRIPTION	USA	EUR	OC	JPN	REMARKS
28	4DP-24181-00	DAMPER, LOCATING 1	2	2	2	2	
29	3LC-24182-00	DAMPER, LOCATING 2	3	3	3	3	
30	90465-13275	CLAMP	5	5	5	5	
31	90387-083U8	COLLAR	1	1	1	1	
32	4JT-2411M-00	CLIP	1	1	1	1	
33	90480-18418	GROMMET	1	1	1	1	
34	4NK-13907-00	FUEL PUMP COMP.	1	1	1	1	
35	4JT-2411R-00	PLATE 1	10	10	10	10	AP

FIG. 21 SEAT



REF. NO.	PART NO.	DESCRIPTION	USA	EUR	OCF	LPN	REMARKS
1	5KE-24710-00	SINGLE SEAT ASSY	1	1	1	1	
2	5KE-24713-00	.CUSHION	1	1	1	1	
3	4JT-24763-00	.PAD, SEAT 2	1	1	1	1	
4	99237-00100	EMBLEM, YAMAHA	1	1	1	1	
5	90150-06036	SCREW, ROUND HEAD	4	4	4	4	
6	90480-13197	GROMMET	4	4	4	4	

4TW3100-8210

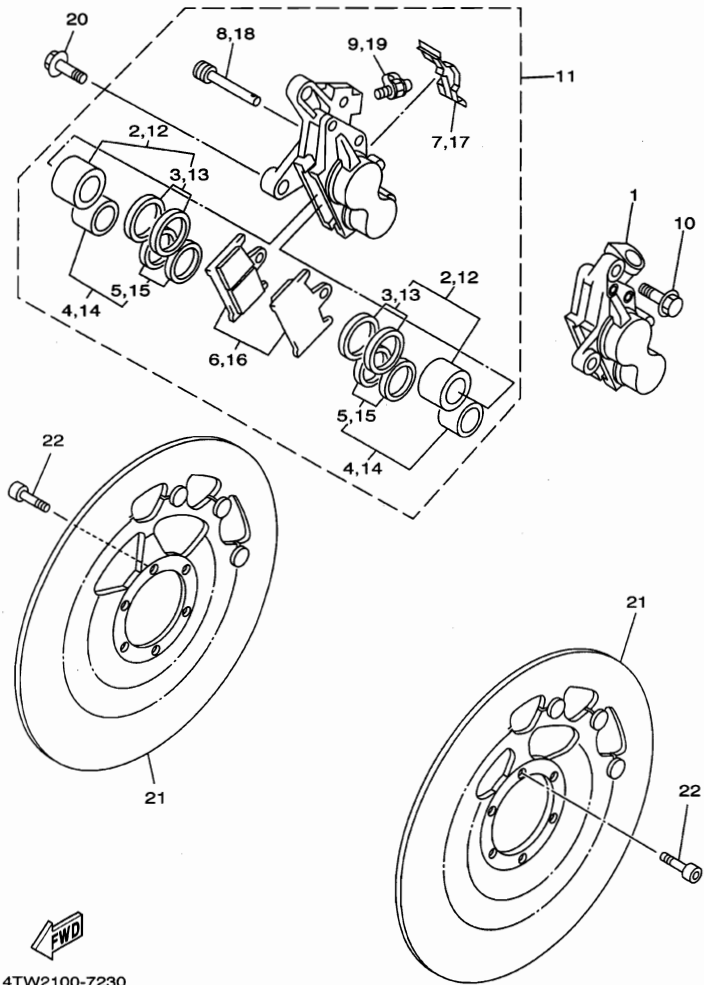


4TW1100-6220

FIG. 22 FRONT WHEEL

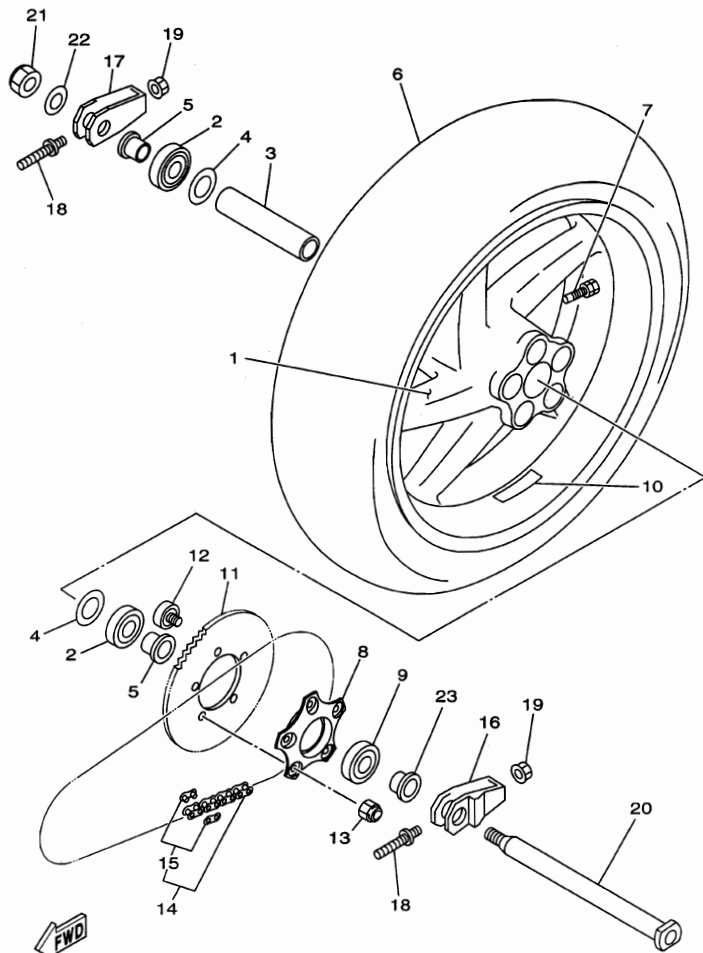
REF. NO.	PART NO.	DESCRIPTION	USA	EUR	OC	JPN	REMARKS
1	4TW-25168-00	CAST WHEEL, FRONT	1	1	1	1	
2	93306-00521	BEARING	2	2	2	2	
3	4TW-25117-00	SPACER, BEARING	1	1	1	1	
4	4TW-25183-00	COLLAR, WHEEL	2	2	2	2	
5	94131-1709C	TIRE (3.10/4.80 R17 KR106)	1	1	1	1	DUNLOP
6	93900-00031	VALVE, RIM	1	1	1	1	
7	4TW-25398-00	BALANCER, WHEEL	1	1	1	1	UN
8	4DP-25181-10	AXLE, WHEEL	1	1	1	1	
9	90201-183E1	WASHER, PLATE	1	1	1	1	
10	90185-18104	NUT, SELF-LOCKING	1	1	1	1	
11	4TW-21510-00	FRONT FENDER COMP.	1	1	1	1	
12	90150-06021	SCREW, ROUND HEAD	4	4	4	4	

FIG. 23 FRONT BRAKE CALIPER



REF. NO.	PART NO.	DESCRIPTION	USA	EUR	OCE	JPN	REMARKS
1	4TW-2580T-10	CALIPER ASSY (LEFT)	1	1	1	1	
2	4TW-W0057-00	.PISTON ASSY, CALIPER	1	1	1	1	
3	4TW-W0047-00	..CALIPER SEAL KIT	1	1	1	1	
4	4TW-W0057-10	.PISTON ASSY, CALIPER	1	1	1	1	
5	4TW-W0047-10	..CALIPER SEAL KIT	1	1	1	1	
6	4TW-W0045-10	..BRAKE PAD KIT	1	1	1	1	
7	3FV-25919-00	..SUPPORT, PAD	1	1	1	1	
8	3FV-25924-00	..PIN, PAD	1	1	1	1	
9	1UY-W0048-50	..BLEED SCREW KIT	1	1	1	1	
10	90105-105A7	BOLT, WASHER BASED	2	2	2	2	
11	4TW-2580U-10	CALIPER ASSY (RIGHT)	1	1	1	1	
12	4TW-W0057-00	.PISTON ASSY, CALIPER	1	1	1	1	
13	4TW-W0047-00	..CALIPER SEAL KIT	1	1	1	1	
14	4TW-W0057-10	.PISTON ASSY, CALIPER	1	1	1	1	
15	4TW-W0047-10	..CALIPER SEAL KIT	1	1	1	1	
16	4TW-W0045-10	..BRAKE PAD KIT	1	1	1	1	
17	3FV-25919-00	..SUPPORT, PAD	1	1	1	1	
18	3FV-25924-00	..PIN, PAD	1	1	1	1	
19	1UY-W0048-50	..BLEED SCREW KIT	1	1	1	1	
20	90105-105A7	BOLT, WASHER BASED	2	2	2	2	
21	4JT-2581T-00	DISC BRAKE ASSY	2	2	2	2	
22	90110-08193	BOLT, HEXAGON SOCKET HEAD	12	12	12	12	

4TW2100-7230

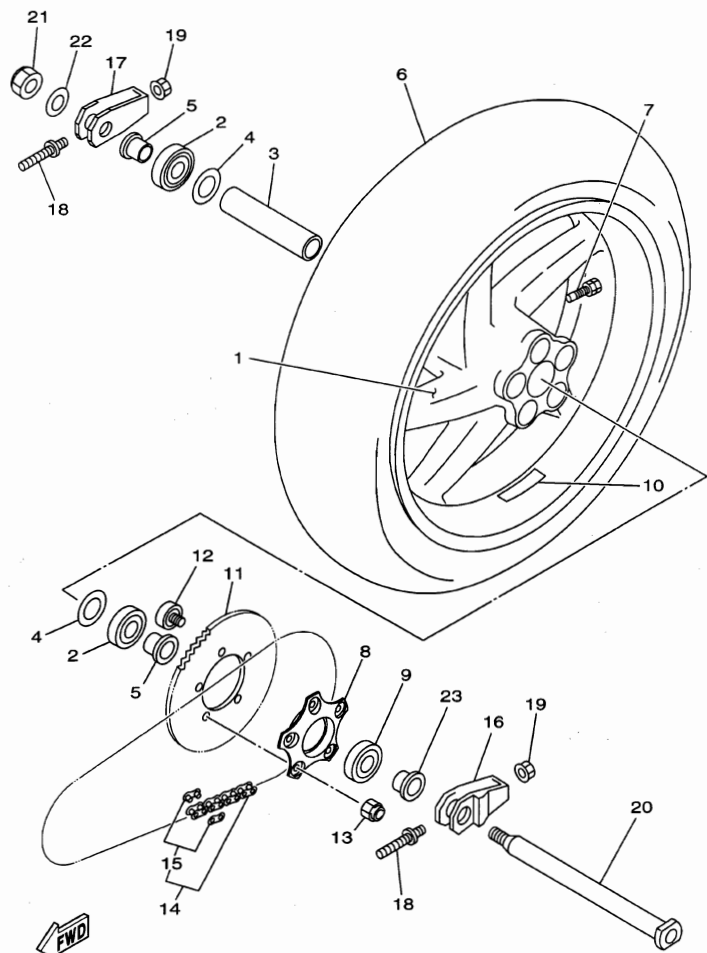


5KE1100-0240

FIG. 24 REAR WHEEL

REF. NO.	PART NO.	DESCRIPTION	USA	EUR	OE	JPN	REMARKS
1	4TW-25338-00	CAST WHEEL, REAR	1	1	1	1	
2	93306-00521	BEARING	2	2	2	2	
3	4TW-25317-00	SPACER, BEARING	1	1	1	1	
4	4DP-2518A-00	PLATE, FITTING	2	2	2	2	
5	4TW-25383-00	COLLAR, WHEEL	2	2	2	2	
6	94116-1713M	TIRE (165/55 ZR17 KR108)	1	1	1	1	DUNLOP
7	93900-00031	VALVE, RIM	1	1	1	1	
8	5KE-25366-01	CLUTCH, HUB	1	1	1	1	
9	93306-07806	BEARING	1	1	1	1	
10	4TW-25398-00	BALANCER, WHEEL	1	1	1	1	UN
11	4TW-25436-02	SPROCKET, DRIVEN (36T)	1	1	1	1	STD
	4TW-25435-02	SPROCKET, DRIVEN (35T)	1	1	1	1	UR
	4TW-25437-02	SPROCKET, DRIVEN (37T)	1	1	1	1	UR
	4TW-25438-02	SPROCKET, DRIVEN (38T)	1	1	1	1	UR
	4TW-25439-02	SPROCKET, DRIVEN (39T)	1	1	1	1	UR
	4TW-25440-02	SPROCKET, DRIVEN (40T)	1	1	1	1	UR
12	3YL-25364-00	DAMPER	5	5	5	5	
13	90185-08162	NUT, SELF-LOCKING	5	5	5	5	
14	94561-62110	CHAIN (RKGB520TRU 110L)	1	1	1	1	STD
	94561-62114	CHAIN (RKGB520TRU 114L)	1	1	1	1	AP
15	94661-62031	JOINT, CHAIN	1	1	1	1	
16	4TW-25388-01	PULLER, CHAIN 1	1	1	1	1	
17	4TW-25389-01	PULLER, CHAIN 2	1	1	1	1	
18	4DP-25379-00	BOLT, CHAIN PULLAR	2	2	2	2	
19	90185-08097	NUT, SELF-LOCKING	2	2	2	2	
20	4TW-25381-00	AXLE, WHEEL	1	1	1	1	
21	90185-18104	NUT, SELF-LOCKING	1	1	1	1	

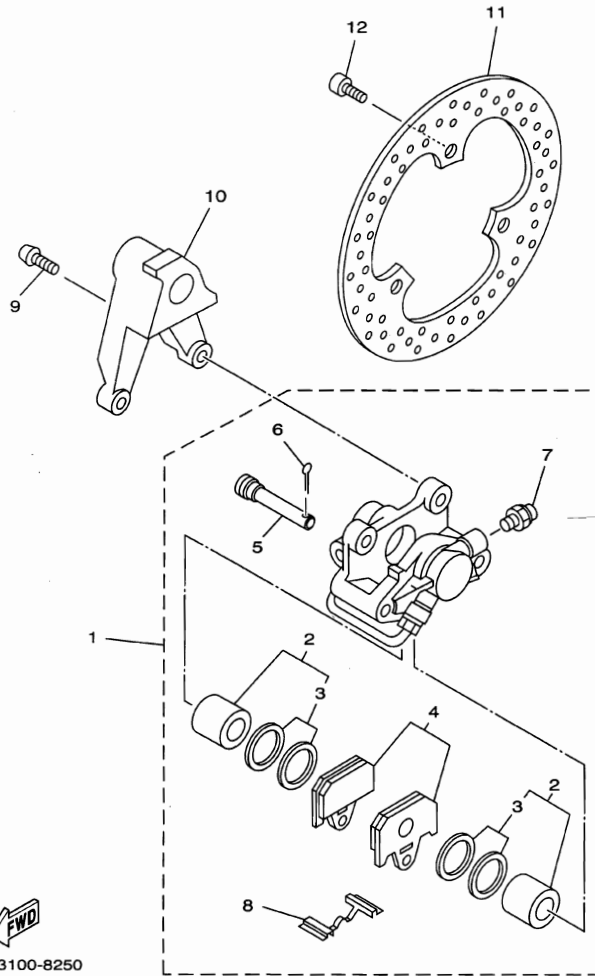
FIG. 24 REAR WHEEL



REF. NO.	PART NO.	DESCRIPTION	USA	EUR	OC	JPN	REMARKS
22	90201-183E1	WASHER, PLATE	1	1	1	1	
23	4TW-25376-00	COLLAR, WHEEL	1	1	1	1	

5KE1100-0240

FIG. 25 REAR BRAKE CALIPER




4TW3100-8250

REF. NO.	PART NO.	DESCRIPTION	USA	EUR	OCE	JPN	REMARKS
1	4TW-2580W-01	CALIPER ASSY, REAR 2	1	1	1	1	
2	4DP-W0057-00	.PISTON ASSY, CALIPER	1	1	1	1	
3	3LC-W0047-50	..CALIPER SEAL KIT	1	1	1	1	
4	4TW-W0046-00	.BRAKE PAD KIT 2	1	1	1	1	
5	4JT-25924-00	.PIN, PAD	1	1	1	1	
6	91401-16012	.PIN, COTTER	1	1	1	1	
7	1UY-W0048-50	.BLEED SCREW KIT	1	1	1	1	
8	5KE-25919-50	.SUPPORT, PAD	1	1	1	1	
9	92017-08020	BOLT, BUTTON HEAD	2	2	2	2	
10	4TW-25819-00	BRACKET, CALIPER	1	1	1	1	
11	4TW-2582W-00	DISC, REAR BRAKE 2	1	1	1	1	
12	90110-08193	BOLT, HEXAGON SOCKET HEAD	3	3	3	3	

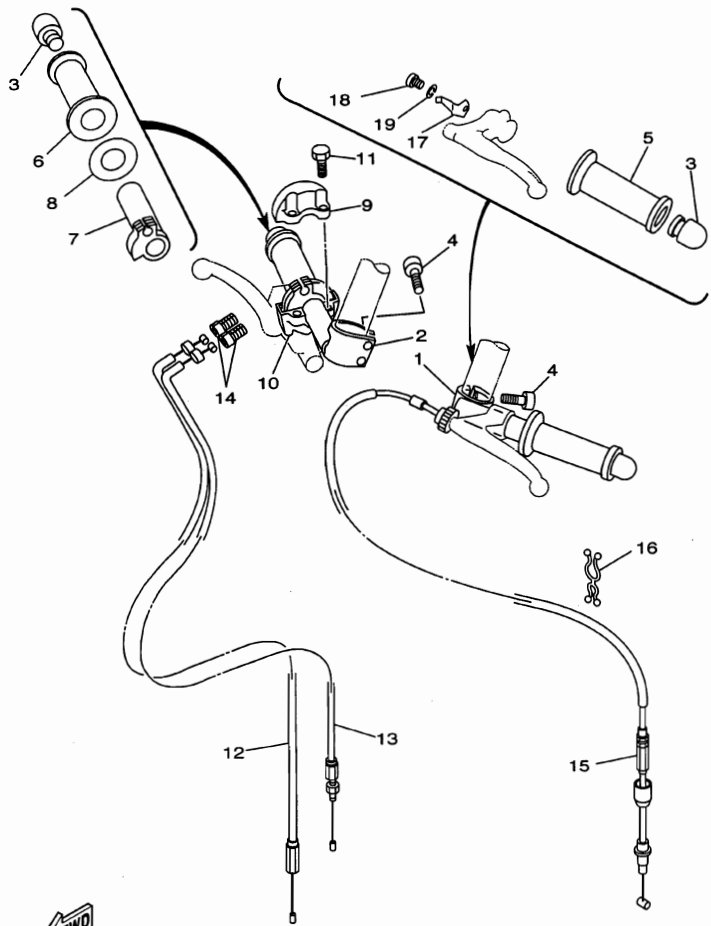
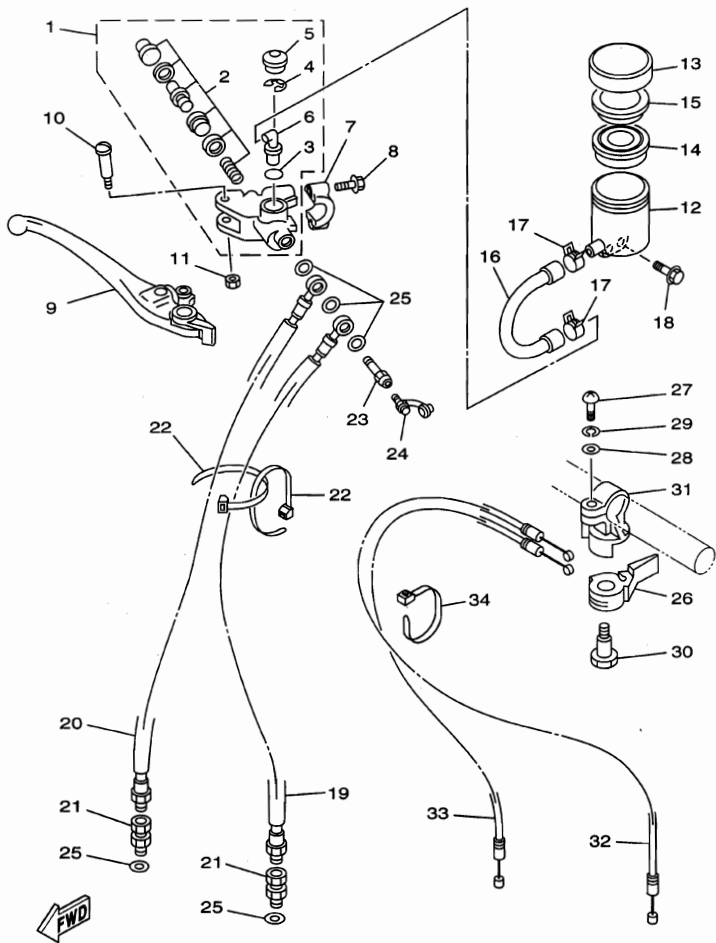


FIG. 26 STEERING HANDLE. CABLE

REF. NO.	PART NO.	DESCRIPTION	USA	EUR	OC	JP	REMARKS
1	3YL-26121-00	HANDLEBAR (LEFT)	1	1	1	1	
2	3YL-26122-01	HANDLEBAR (RIGHT)	1	1	1	1	
3	4JT-26246-00	END, GRIP	2	2	2	2	
4	91317-06025	BOLT	4	4	4	4	
5	47X-26241-00	GRIP (LEFT)	1	1	1	1	
6	47X-26242-00	GRIP (RIGHT)	1	1	1	1	
7	3YL-26243-00	TUBE, THROTTLE GUIDE	1	1	1	1	
8	3Y1-26249-00	RING, LEAF	1	1	1	1	
9	3YL-26281-01	CAP, GRIP UPPER	1	1	1	1	
10	3YL-26282-00	CAP, GRIP LOWER	1	1	1	1	
11	91317-05020	BOLT	2	2	2	2	
12	5KE-26311-00	CABLE, THROTTLE 1	1	1	1	1	
13	5KE-26312-00	CABLE, THROTTLE 2	1	1	1	1	
14	90123-06007	BOLT	2	2	2	2	
15	5KE-26335-00	CABLE, CLUTCH	1	1	1	1	
16	90464-16115	CLAMP	1	1	1	1	
17	5F6-26368-00	SPRING, LOCK	1	1	1	1	
18	98507-05008	SCREW, PAN HEAD	1	1	1	1	
19	92907-05100	WASHER, SPRING	1	1	1	1	



4TW3100-8260

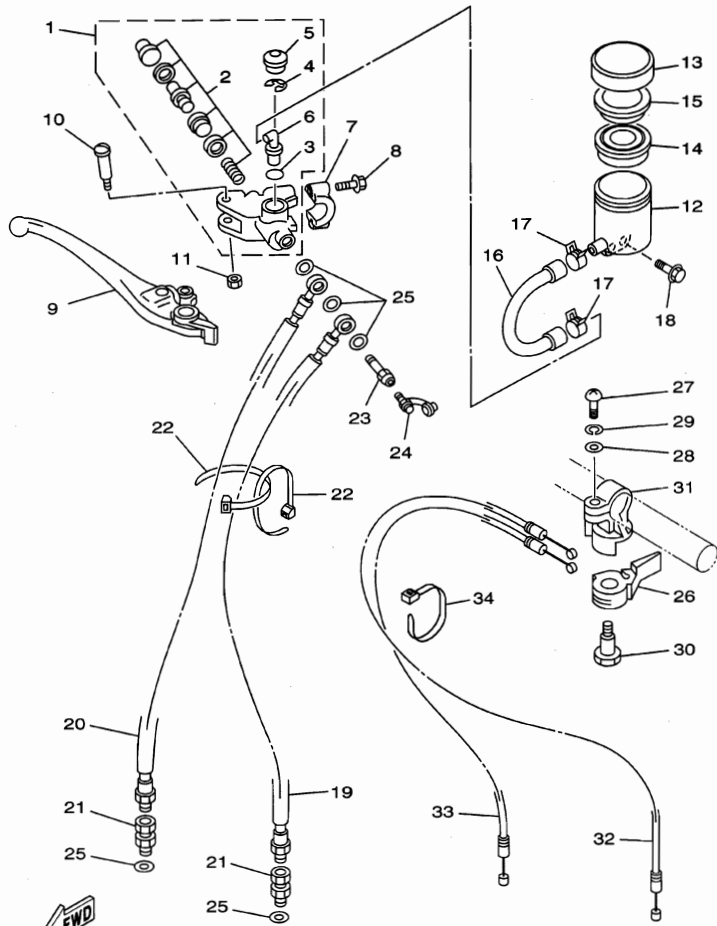


SKE1100-0270

FIG. 27 FRONT MASTER CYLINDER

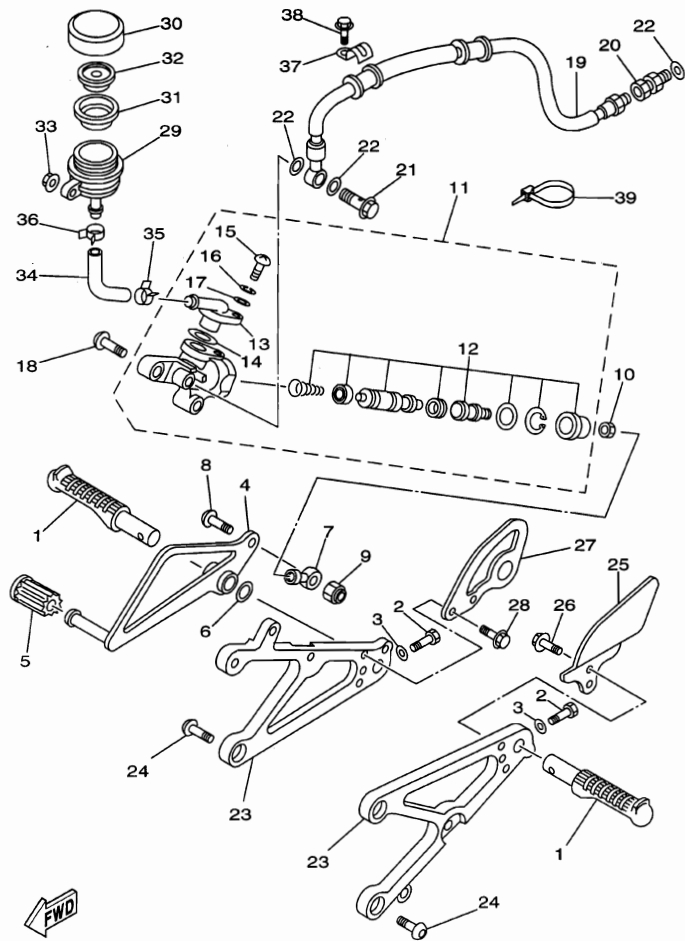
REF. NO.	PART NO.	DESCRIPTION	USA	EUR	OCE	JPN	REMARKS
1	3FV-W2587-00	MASTER CYLINDER SUB ASSY	1	1	1	1	
2	4K0-W0041-50	.CYLINDER KIT, MASTER	1	1	1	1	
3	93210-15620	.O-RING	1	1	1	1	
4	2VN-25866-00	.CIRCLIP	1	1	1	1	
5	3FV-2589A-00	.COVER, DUST	1	1	1	1	
6	2VN-2582A-50	.JOINT	1	1	1	1	
7	56A-25867-00	BRACKET, MASTER CYLINDER	1	1	1	1	
8	95026-06025	BOLT, FLANGE	2	2	2	2	
9	4JT-83922-00	LEVER 2	1	1	1	1	
10	3FV-2589F-00	BOLT, LEVER	1	1	1	1	
11	95606-06100	NUT, U	1	1	1	1	
12	3FV-25894-00	TANK, RESERVOIR	1	1	1	1	
13	3FV-25852-00	CAP, RESERVOIR	1	1	1	1	
14	3FV-25854-00	DIAPHRAGM, RESERVOIR	1	1	1	1	
15	2J2-25855-50	BUSH,DIAPHRAGM	1	1	1	1	
16	3YL-2582F-00	HOSE	1	1	1	1	
17	3PA-24356-00	CLIP, PIPE 1	2	2	2	2	
18	95027-06014	BOLT, FLANGE	1	1	1	1	
19	4DP-25872-01	HOSE, BRAKE 1	1	1	1	1	
20	4TW-25873-01	HOSE, BRAKE 2	1	1	1	1	
21	3LC-25885-00	JOINT	2	2	2	2	
22	90465-13275	CLAMP	2	2	2	2	
23	90401-10174	BOLT, UNION	1	1	1	1	
24	36Y-W0048-00	BLEED SCREW KIT	1	1	1	1	
25	90201-10118	WASHER, PLATE	5	5	5	5	
26	240-83941-00	LEVER, STARTER	1	1	1	1	
27	98507-06018	SCREW, PAN HEAD	1	1	1	1	

FIG. 27 FRONT MASTER CYLINDER



5KE1100-0270

REF. NO.	PART NO.	DESCRIPTION	USA	EUR	OCE	JPN	REMARKS
28	90201-12175	WASHER, PLATE	1	1	1	1	
29	92907-06100	WASHER, SPRING	1	1	1	1	
30	90109-08398	BOLT	1	1	1	1	
31	240-83946-00	HOLDER, STARTER LEVER	1	1	1	1	
32	4DP-26331-00	CABLE, STARTER 1	1	1	1	1	
33	4DP-26334-00	CABLE, STARTER 2	1	1	1	1	
34	90465-13152	CLAMP	1	1	1	1	

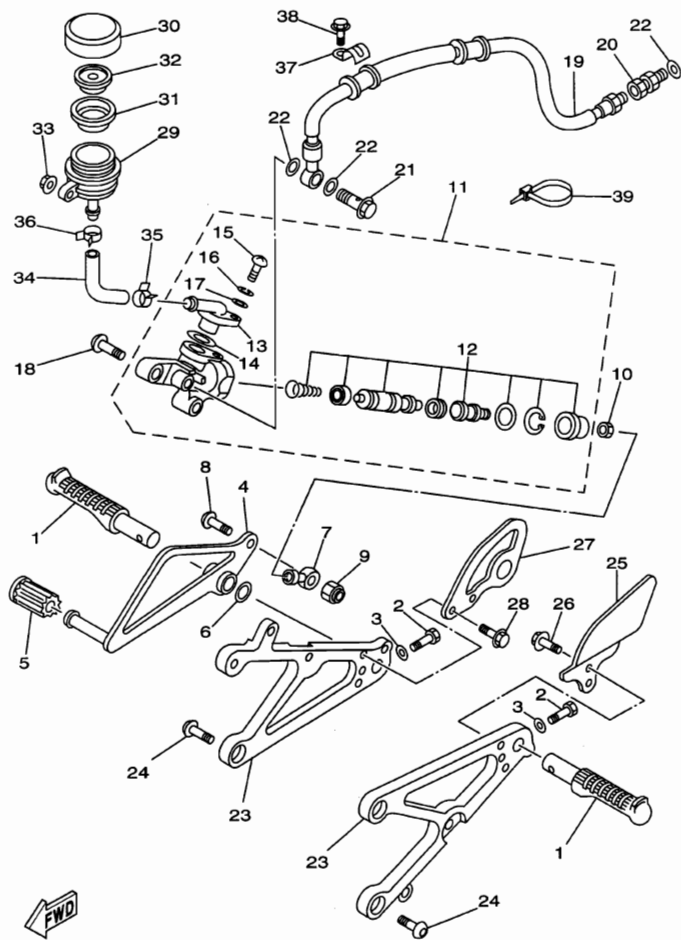


5KE1100-0280

FIG. 28 STAND. FOOTREST

REF. NO.	PART NO.	DESCRIPTION	USA	EUR	OCÉ	JPN	REMARKS
1	4JT-27411-20	FOOTREST 1	2	2	2	2	
2	97007-06020	BOLT	2	2	2	2	
3	92907-06600	WASHER, PLATE	2	2	2	2	
4	5KE-27211-00	PEDAL, BRAKE	1	1	1	1	
5	4A0-18113-00	COVER, SHIFT PEDAL	1	1	1	1	
6	90201-14212	WASHER, PLATE	1	1	1	1	
7	3YL-27222-00	JOINT	1	1	1	1	
8	92017-06020	BOLT, BUTTON HEAD	1	1	1	1	
9	95607-06100	NUT, U	1	1	1	1	
10	95307-06600	NUT	1	1	1	1	
11	3YL-2583V-00	RR. MASTER CYLINDER ASSY.	1	1	1	1	
12	3YL-W0042-50	.CYLINDER KIT, MASTER	1	1	1	1	
13	36Y-2582A-50	.JOINT	1	1	1	1	
14	93210-15620	.O-RING	1	1	1	1	
15	98511-04012	.SCREW, PAN HEAD	1	1	1	1	
16	92902-04100	.WASHER, SPRING	1	1	1	1	
17	92901-04600	.WASHER, PLATE	1	1	1	1	
18	92017-08025	BOLT, BUTTON HEAD	2	2	2	2	
19	4TW-25874-00	HOSE, BRAKE	1	1	1	1	
20	3LC-25885-00	JOINT	1	1	1	1	
21	90401-10168	BOLT, UNION	1	1	1	1	
22	90201-10118	WASHER, PLATE	3	3	3	3	
23	4JT-27412-20	BRACKET, FOOTREST 1	2	2	2	2	
24	92017-08020	BOLT, BUTTON HEAD	4	4	4	4	
25	4TW-27445-00	PLATE 1	1	1	1	1	
26	90119-05239	BOLT, WITH WASHER	2	2	2	2	
27	4TW-27264-00	BRACKET 2	1	1	1	1	

FIG. 28 STAND. FOOTREST



5KE1100-0280

REF. NO.	PART NO.	DESCRIPTION	USA	EUR	OC	LPN	REMARKS
			2	2	2	2	
28	90119-05239	BOLT, WITH WASHER	2	2	2	2	
29	4EW-25894-00	TANK, RESERVOIR	1	1	1	1	
30	3XP-25852-50	CAP, RESERVOIR	1	1	1	1	
31	2VN-25854-00	DIAPHRAGM, RESERVOIR	1	1	1	1	
32	2VN-25855-00	BUSH, DIAPHRAGM	1	1	1	1	
33	95607-06200	NUT, SELF U-FLANGE	1	1	1	1	
34	4TW-25895-00	HOSE, RESERVOIR	1	1	1	1	
35	90467-14057	CLIP	1	1	1	1	
36	90467-11044	CLIP	1	1	1	1	
37	3XV-25876-00	HOLDER, BRAKE HOSE 2	2	2	2	2	
38	95027-06016	BOLT, FLANGE	2	2	2	2	
39	90464-12089	CLAMP	2	2	2	2	

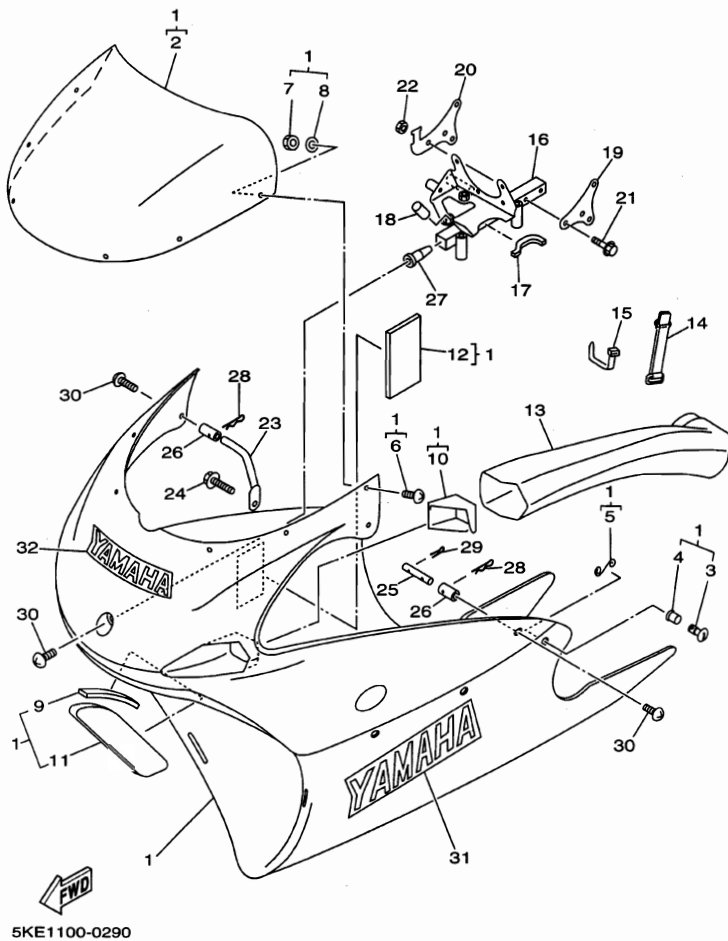
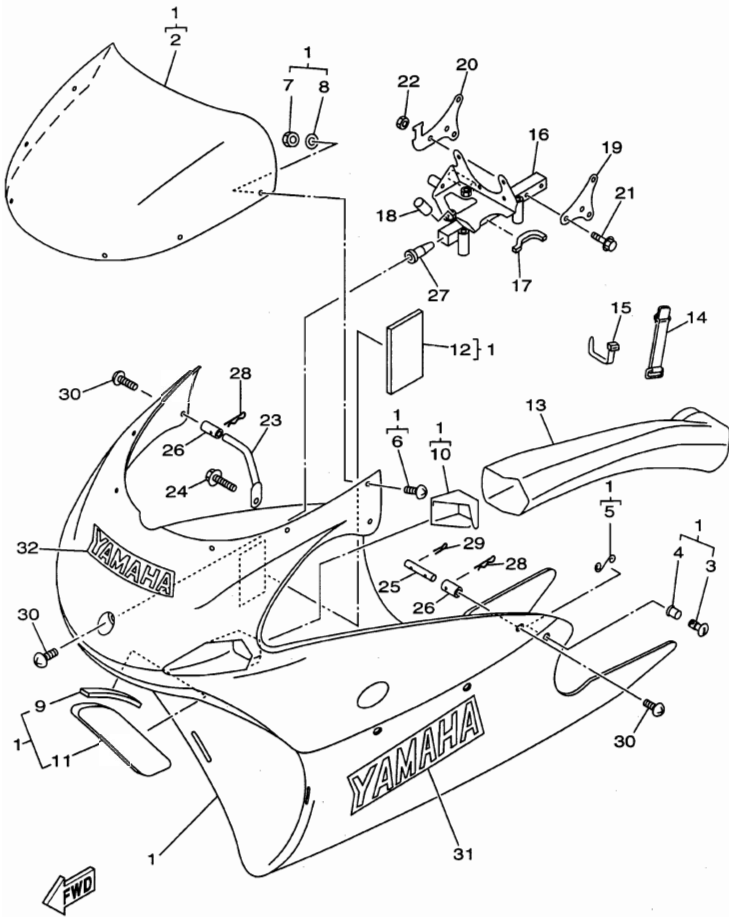


FIG. 29 COWLING 1

REF. NO.	PART NO.	DESCRIPTION	USA	EUR	OC	JPN	REMARKS
1	5KE-28350-00	COWLING ASSY	1	1	1	1	
2	4TW-28381-10	.WINDSHIELD	1	1	1	1	
3	3YL-28386-00	.HEAD	5	5	5	5	
4	240-28389-00	.RIVET	5	5	5	5	
5	3YL-28388-00	.SPRING	5	5	5	5	
6	98907-04010	.SCREW, BIND	6	6	6	6	
7	95607-04100	.NUT, U	6	6	6	6	
8	92907-04200	.WASHER	6	6	6	6	
9	2TV-21638-00	.DAMPER 1	1	1	1	1	
10	4TW-28371-00	.DAMPER	1	1	1	1	
11	4TW-28371-10	.DAMPER	1	1	1	1	
12	3Y6-21747-00	.DAMPER	1	1	1	1	
13	5KE-2838N-00	DUCT 1	1	1	1	1	
14	18G-82131-00	BAND, BATTERY	1	1	1	1	
15	90465-10098	CLAMP	1	1	1	1	
16	5KE-28356-00	STAY 1	1	1	1	1	
17	5KE-28345-00	MOLE 1	1	1	1	1	
18	90446-17346	HOSE	1	1	1	1	
19	4DP-2836A-00	BRACKET 1	1	1	1	1	
20	4TW-2836E-00	BRACKET 2	1	1	1	1	
21	95027-06030	BOLT, FLANGE	4	4	4	4	
22	95617-06100	NUT, U	4	4	4	4	
23	4JT-28321-00	STAY 1	2	2	2	2	
24	95027-06014	BOLT, FLANGE	2	2	2	2	
25	3YL-28358-00	STAY 3	2	2	2	2	
26	4A0-28364-00	NUT	4	4	4	4	
27	4DP-28362-01	NUT	1	1	1	1	

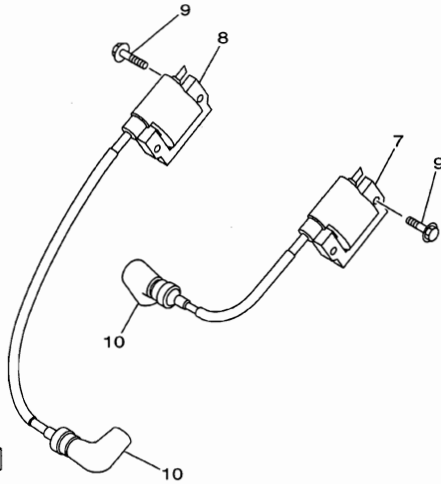
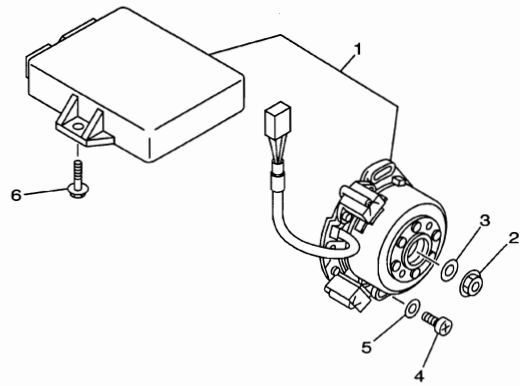
FIG. 29 COWLING 1



5KE1100-0290

REF. NO.	PART NO.	DESCRIPTION	USA	EUR	OC	JPN	REMARKS
28	4DP-28334-00	CLIP, COWLING	4	4	4	4	
29	91401-25030	PIN, COTTER	2	2	2	2	
30	90150-06021	SCREW, ROUND HEAD	5	5	5	5	
31	99237-00280	EMBLEM, YAMAHA	2	2	2	2	
32	99237-00100	EMBLEM, YAMAHA	1	1	1	1	

FIG. 30 GENERATOR

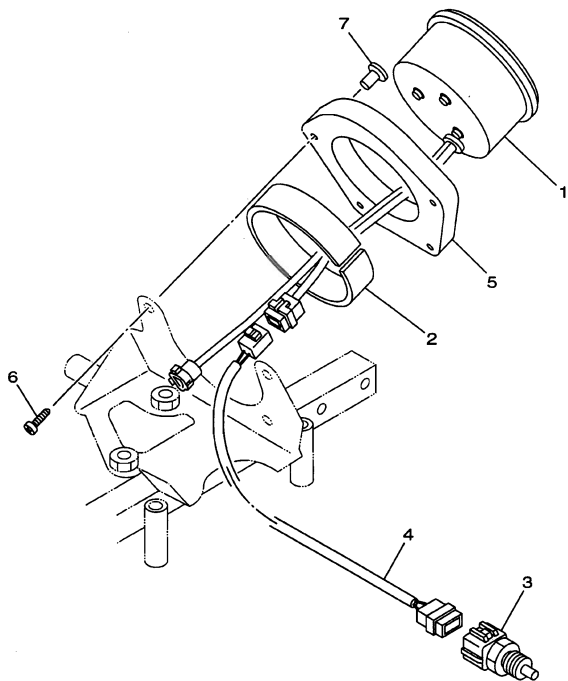


FWD
5KE1100-0300

REF. NO.	PART NO.	DESCRIPTION	USA	EUR	OCE	JPN	REMARKS
1	5KE-85501-00	C.D.I. MAGNETO SET	1	1	1	1	
2	90179-12248	NUT	1	1	1	1	
3	90201-127E1	WASHER, PLATE	1	1	1	1	
4	98580-06020	SCREW, PAN HEAD	2	2	2	2	
5	90201-06043	WASHER, PLATE	2	2	2	2	
6	95027-06020	BOLT, FLANGE	2	2	2	2	
7	3YL-82310-00	IGNITION COIL ASSY	1	1	1	1	
8	3YL-82320-01	IGNITION COIL ASSY	1	1	1	1	
9	95027-06020	BOLT, FLANGE	2	2	2	2	
10	4PE-82370-10	PLUG CAP ASSY	2	2	2	2	

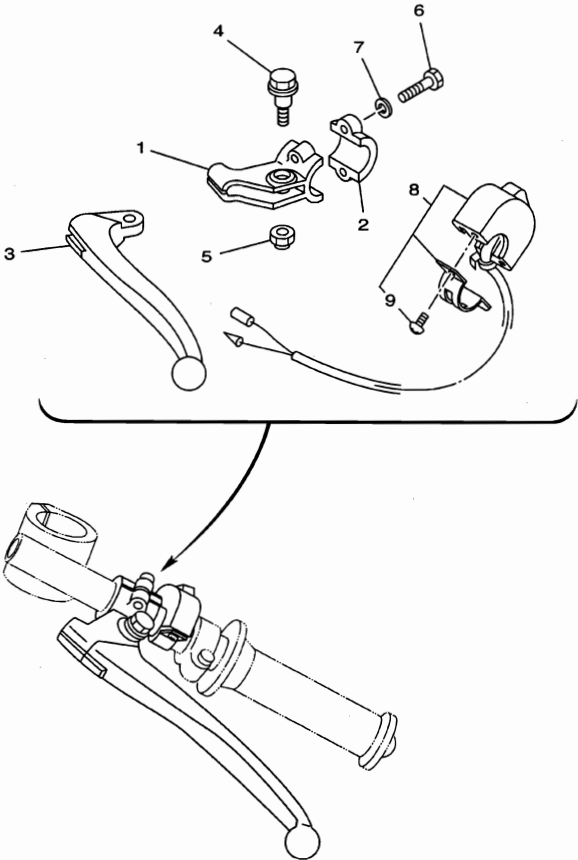
FIG. 31 METER

REF. NO.	PART NO.	DESCRIPTION	USA	EUR	OCE	JPN	REMARKS
1	5KE-83540-00	TACHOMETER ASSY	1	1	1	1	
2	4A0-83541-00	DAMPER	1	1	1	1	
3	5KE-83591-00	THERMO UNIT	1	1	1	1	
4	5KE-83553-00	WIRE, LEAD	1	1	1	1	
5	5KE-83611-00	PANEL, METER	1	1	1	1	
6	97780-40110	SCREW, TAPPING	4	4	4	4	
7	4A0-83522-00	COLLAR	4	4	4	4	



5KE1100-0310

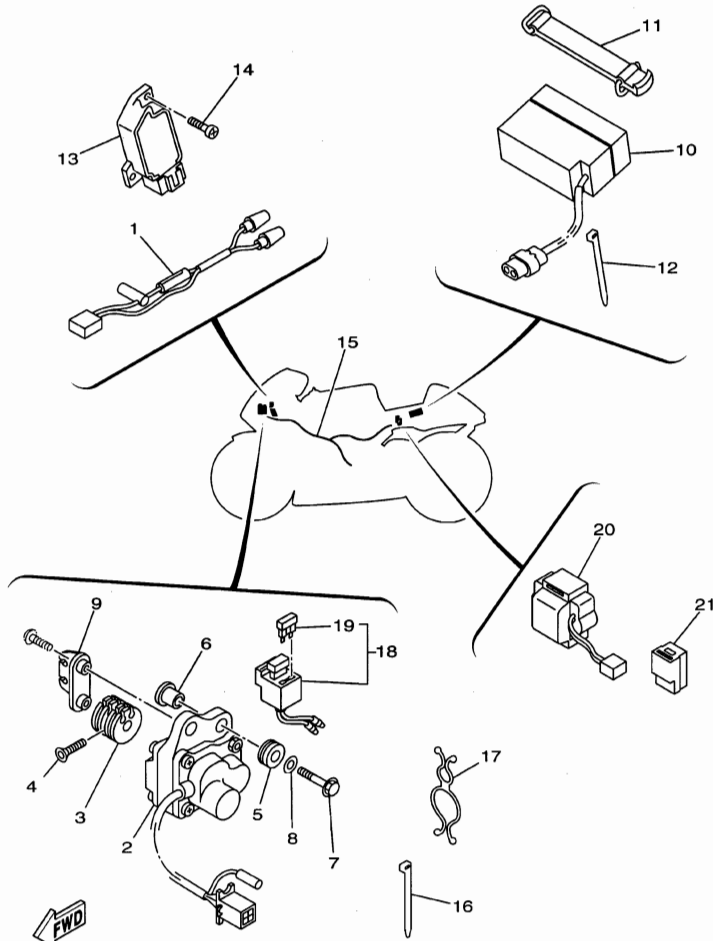
FIG. 32 HANDLE SWITCH. LEVER



REF. NO.	PART NO.	DESCRIPTION	USA	EUR	OCE	JPN	REMARKS
1	5F6-82911-00	HOLDER, LEVER 1	1	1	1	1	
2	4V4-82913-00	HOLDER, LEVER LOWER 1	1	1	1	1	
3	214-83912-00	LEVER 1	1	1	1	1	
4	90109-06799	BOLT	1	1	1	1	
5	95607-06100	NUT, U	1	1	1	1	
6	97007-05020	BOLT	2	2	2	2	
7	92907-05100	WASHER, SPRING	2	2	2	2	
8	4TW-83976-00	SWITCH, HANDLE 1	1	1	1	1	
9	98507-04014	.SCREW, PAN HEAD	2	2	2	2	


4TW3100-8320

FIG. 33 ELECTRICAL 1



5KE1100-0330

REF. NO.	PART NO.	DESCRIPTION	USA	EUR	OE	JPN	REMARKS
1	4TW-82117-00	WIRE, LEAD	1	1	1	1	
2	3LC-85850-00	GEARED MOTOR COMP.	1	1	1	1	
3	3YL-85821-00	PULLEY, DRIVE	1	1	1	1	
4	90151-05031	SCREW, COUNTERSUNK	1	1	1	1	
5	90480-14023	GROMMET	2	2	2	2	
6	90387-063E6	COLLAR	2	2	2	2	
7	95027-06025	BOLT, FLANGE	2	2	2	2	
8	90201-06380	WASHER, PLATE	2	2	2	2	
9	3YL-85824-00	BRACKET, CABLE	1	1	1	1	
10	4TW-82100-10	BATTERY ASSY (GS PE12V0.8)	1	1	1		
	4TW-82100-00	BATTERY ASSY (GS PE12V0.8)				1	
11	18G-82131-00	BAND, BATTERY	1	1	1	1	
12	90464-13077	CLAMP	1	1	1	1	
13	1JK-81960-A1	RECTIFIER & REGULATOR ASSY	1	1	1	1	
14	98507-06020	SCREW, PAN HEAD	2	2	2	2	
15	5KE-82590-00	WIRE HARNESS ASSY	1	1	1	1	
16	90465-13275	CLAMP	2	2	2	2	
17	90464-26114	CLAMP	2	2	2	2	
18	4HF-82150-00	FUSE HOLDER ASSY	1	1	1	1	
19	42X-82151-00	.FUSE (10A-BL)	2	2	2	2	
20	4TW-82576-00	EMERGENCY STOP SWITCH ASSY	1	1	1	1	
21	1UY-81950-92	RELAY ASSY	1	1	1	1	

部品番号索引表 (中5 桁順)

PARTNO.	GRID NO.	PARTNO.	GRID NO.	PARTNO.	GRID NO.	PARTNO.	GRID NO.	PARTNO.	GRID NO.	PARTNO.	GRID NO.
4K0-W0041-50	D-8	5KE-12482-00	B-7	137-14143-88	B-11	59W-16356-00	B-14	5KE-18535-00	C-4	4TW-23111-10	C-11
3YL-W0042-50	D-10	5KE-12483-00	B-7	137-14143-90	B-11	5KE-16357-00	B-15	5KE-18541-00	C-4	5KE-18541-00	C-12
4TW-W0045-10	D-3	4TW-12484-10	B-7	137-14143-92	B-11	3R4-16371-00	B-14	3XV-18562-00	C-4	4TW-23118-10	C-11
4TW-W0046-00	D-6	5KE-13161-00	B-8	137-14143-94	B-11	5KE-16381-00	B-15	5KE-21110-00	C-6	5KE-21110-00	C-12
3LC-W0047-50	D-6	5HO-13310-00	B-8	137-14143-96	B-11	3XV-16384-00	B-15	4TW-2117A-00	C-7	5KE-23120-00	C-11
4TW-W0047-00	D-3	5KE-13316-00	B-8	137-14143-98	B-11	4DP-17121-11	C-2	5KE-2119R-00	C-6	5KE-23136-00	C-11
4TW-W0047-10	D-3	4DP-13324-00	B-14	137-14147-00	B-10	5KE-17131-00	C-2	5KE-2119T-00	C-6	3YL-23141-00	C-11
1UY-W0048-50	D-3	5KE-13411-00	B-8	5ET-14147-00	B-11	5KE-17131-10	C-2	4TW-21190-02	C-6	4TW-23142-10	C-11
	D-6	5KE-13555-00	B-9	4TW-1416A-00	B-11	5F7-17136-00	C-3	5KE-21240-00	B-9	5KE-21240-00	C-12
36Y-W0048-00	D-8	5KE-13565-00	B-9	5ET-14185-00	B-10	5F7-17151-01	C-2	4TW-2134T-00	C-6	3JD-23145-L0	C-11
4DP-W0057-00	D-6	5KE-13610-00	B-9	353-14186-00	B-10	5KE-17161-00	C-2	5KE-2134V-00	C-6	36Y-23146-10	C-11
4TW-W0057-00	D-3	3XV-13613-01	B-9	4PE-14194-00	B-10	5KE-17161-10	C-2	5KE-2139V-00	C-7	3SP-23147-M0	C-11
4TW-W0057-10	D-3	2KM-13614-00	B-9	4TW-14197-00	B-11	5KE-17211-10	C-2	5KE-21411-00	C-6	5KE-21411-00	C-12
3FV-W2587-00	D-8	3YL-13617-00	B-9	830-14231-10	B-10	5KE-17211-20	C-2	5KE-21419-00	C-6	26H-23156-00	C-11
4DP-Y1332-00	B-8	5KE-13620-00	B-9	830-14231-11	B-10	4DP-17221-11	C-2	5KE-21495-00	C-7	2K8-23158-L0	C-11
5KE-11111-00	B-2	5KE-13621-00	B-9	8J0-14251-00	B-11	5KE-17231-00	C-2	4JT-21495-10	C-6	5KE-23170-00	C-11
5KE-1131A-00	B-2	5KE-13622-00	B-9	5KE-14261-00	B-10	5KE-17231-10	C-2	4TW-21510-00	D-2	3LC-23181-00	C-11
1RK-1131E-00	B-2	4NK-13907-00	C-14	1FN-14565-00	B-10	5KE-17231-20	C-3	5KE-21552-00	C-10	4TW-23340-20	C-12
3LC-1131V-00	B-2	4TW-1410A-00	B-10	5KE-14610-00	B-12	5KE-17241-00	C-3	5KE-2160A-00	B-9	4TW-23357-10	C-11
5KE-11310-00	B-2	3XV-1410H-00	B-10	5KE-14610-10	B-12	3YL-17251-00	C-3	2TV-21638-00	D-12	1J7-23415-00	C-10
4DP-1132E-00	B-2	5KE-14101-00	B-10	5KE-14620-10	B-12	5KE-17261-00	C-3	50M-21638-00	C-7	4TW-23435-00	C-12
4TW-1133E-00	B-2	5KE-14102-00	B-10	5KE-14620-10	B-12	5KE-17261-10	C-3	4TW-2171V-00	C-6	5KE-23490-00	C-10
4TW-1133F-00	B-3	3JD-14104-00	B-10	4JT-1469A-00	B-12	5KE-17411-10	C-2	3Y6-21747-00	D-12	5KE-23495-00	C-10
4TW-1133G-00	B-3	4TW-14107-15	B-10	5KE-14753-00	B-12	5KE-17411-20	C-2	5KE-21747-00	C-7	5KE-2411B-00	C-13
4TW-1133H-01	B-3	5KE-14112-50	B-11	4DP-14755-00	B-12	5KE-17421-00	C-2	3YL-21751-00	C-6	4JT-2411M-00	C-14
4DP-11351-31	B-3	5ET-14115-00	B-10	5KE-1490J-00	B-10	278-17424-01	B-4	4TW-22110-02	C-8	4JT-2411R-00	C-14
4DP-11351-40	B-3	4TW-14131-00	B-10	5KE-15100-00	B-13	3AK-17471-00	C-3	1X2-22127-00	C-8	5KE-24110-00-36	C-13
4JT-11351-02	B-3	137-1414K-00	B-11	5KE-15131-00	B-13	5KE-18101-00	C-5	3FV-22128-00	C-8	4DP-24181-00	C-14
4JT-11351-12	B-3	137-1414K-08	B-11	4A0-15363-00	B-13	4DP-18110-00	C-5	3MA-22141-01	C-8	3LC-24182-00	C-14
4JT-11351-22	B-3	137-1414K-12	B-11	4JT-15381-01	B-5	4DP-18112-00	C-5	4TW-22147-00	C-8	5KE-24311-00	C-13
5KE-11400-00	B-4	137-1414K-16	B-11		C-3	3FV-18113-00	C-5	4TW-22151-00	C-7	5KE-24312-00	C-13
5KE-11455-00	B-5	3TC-14141-F9	B-10	5KE-15381-00	C-2	4A0-18113-00	D-10	4JT-2216F-10	C-8	5KE-24313-00	C-13
5KE-11531-00	B-5	3TC-14141-S0	B-10	5KE-15411-00	B-13	5F7-18115-00	C-5	5KE-2217A-00	C-8	3PA-24356-00	D-8
5KE-11536-00	B-4	3TC-14141-S1	B-10	5KE-15421-00	B-13	3TC-18116-00	C-5	5KE-2217F-00	C-8	1X2-24376-00	C-13
4JT-11611-00	B-4	3TC-14141-S2	B-10	3YL-15441-00	B-15	3TC-18117-00	C-5	3XV-22184-00	C-8	3XJ-24380-00	C-13
5KE-11631-00-A0	B-4	3TC-14141-S4	B-10	5KE-15451-00	B-13	3XV-18122-00	C-4	4TW-22187-10	C-8	3CV-24491-10	C-13
5KE-11631-00-B0	B-4	4KM-14142-25	B-10	5KE-15461-00	B-13	3MA-18127-00	C-5	5KE-22210-00	C-9	4JT-24500-00	C-13
5KE-11631-00-C0	B-4	4KM-14142-27	B-10	5KE-16111-00	B-4	3XV-18140-00	C-4	4JT-22219-00	C-9	4X8-24512-00	C-13
4XM-11633-00	B-4	4KM-14142-30	B-10	5KE-16151-00	B-14	5KE-18172-00	C-4	4JT-22239-00	C-9	3AJ-24523-00	C-13
5KE-11651-00	B-4	137-14143-70	B-11	5F7-16153-00	B-14	3XV-18173-00	C-4	1RK-22251-00	C-10	3AJ-24534-00	C-13
3YL-11932-00	B-2	137-14143-72	B-11	3YL-16154-00	B-14	3XJ-18178-00	C-4		C-9	4JT-24611-00	C-13
3YL-11932-10	B-2	137-14143-74	B-11	5F7-16181-00	B-14	3YL-18182-00	C-4	3AK-22252-00	C-9	4JT-24612-00	C-13
3YL-12232-00	B-7	137-14143-76	B-11	5KE-16310-00	B-14	3YL-18184-00	C-4	4AA-22259-00	C-9	5KE-24710-00	C-15
5KE-12422-00	B-6	137-14143-78	B-11	3AK-16321-00	B-14	3YL-18185-00	C-4	4AA-22259-40	C-9	5KE-24713-00	C-15
5KE-12428-00	B-6	137-14143-80	B-11	3YL-16321-01	B-14	5KE-18511-00	C-4	4AA-22259-50	C-9	4JT-24763-00	C-15
5KE-12450-00	B-6	137-14143-82	B-11	168-16324-00	B-14	5KE-18512-00	C-4	5KE-23102-00	C-11	4TW-25117-00	D-2
4TW-12461-00	B-7	137-14143-84	B-11	5F7-16343-00	B-14	5KE-18513-00	C-4	5KE-23103-00	C-11	4TW-25168-00	D-2
22W-12462-00	B-7	137-14143-86	B-11	26J-16351-00	B-14	3XV-18531-00	C-4	5KE-23110-00	C-11	4DP-2518A-00	D-4

PARTNO.	GRID NO.	PARTNO.	GRID NO.	PARTNO.	GRID NO.	PARTNO.	GRID NO.	PARTNO.	GRID NO.	PARTNO.	GRID NO.
4DP-25181-10	D-2	4TW-25895-00	D-11	4TW-82117-00	E-3	90119-05239	D-11	90201-177G4	C-4	90450-40009	B-7
4TW-25183-00	D-2	3FV-25919-00	D-3	1KT-82122-00	C-7	90119-06096	C-13	90201-183E1	D-2	90460-20190	B-7
4TW-25317-00	D-4	5KE-25919-50	D-6	18G-82131-00	D-12	90119-06227	C-8		D-5	90460-52210	B-9
4TW-25338-00	D-4	3FV-25924-00	D-3		E-3	90123-06007	D-7	90201-183H2	B-13	90464-12089	C-7
3YL-25364-00	D-4	4JT-25924-00	D-6	4HF-82150-00	E-3	90149-05149	B-2	90201-20276	C-2		D-11
5KE-25366-01	D-4	3YL-26121-00	D-7	42X-82151-00	E-3	90149-06011	C-13	90201-206E5	C-2	90464-13077	E-3
4TW-25376-00	D-5	4TW-26122-01	D-7	3YL-82310-00	D-14	90150-06021	D-13	90201-225A4	C-10	90464-16115	D-7
4DP-25379-00	D-4	47X-26241-00	D-7	3YL-82320-01	D-14		D-2	90201-253K0	C-2	90464-18246	C-7
4TW-25381-00	D-4	47X-26242-00	D-7	4PE-82370-10	D-14	90150-06036	C-15	90201-25526	C-10	90464-25160	C-13
4TW-25383-00	D-4	3YL-26243-00	D-7	4TW-82576-00	E-3	90151-05031	E-3	90201-256E4	C-2	90464-26114	E-3
4TW-25388-01	D-4	4JT-26246-00	D-7	5KE-82590-00	E-3	90151-06001	B-5	90201-256E6	C-2	90465-10098	D-12
4TW-25389-01	D-4	3Y1-26249-00	D-7	5F6-82911-00	E-2		C-2	90202-05193	C-13	90465-13152	C-13
4TW-25398-00	D-2	3YL-26281-01	D-7	4V4-82913-00	E-2		C-3	90202-08022	B-12		C-7
	D-4	3YL-26282-00	D-7	4A0-83522-00	D-15	90157-05004	C-4	90209-22082	C-3		D-9
4TW-25435-02	D-4	5KE-26311-00	D-7	5KE-83540-00	D-15	90159-06016	B-14	90209-24316	B-4	90465-13275	C-14
4TW-25436-02	D-4	5KE-26312-00	D-7	4A0-83541-00	D-15	90170-06228	C-5	90209-24327	B-4		C-6
4TW-25437-02	D-4	4DP-26331-00	D-9	5KE-83553-00	D-15	90170-14171	B-5	90215-14204	B-5		D-8
4TW-25438-02	D-4	4DP-26334-00	D-9	5KE-83591-00	D-15	90170-20255	B-14	90215-20212	B-14		E-3
4TW-25439-02	D-4	5KE-26335-00	D-7	5KE-83611-00	D-15	90179-08003	B-3	90215-21121	C-3	90467-09006	C-13
4TW-25440-02	D-4	5F6-26368-00	D-7	214-83912-00	E-2	90179-10696	C-6	90267-32018	C-7	90467-10008	C-13
4TW-2580T-10	D-3	5KE-27211-00	D-10	4JT-83922-00	D-8	90179-12248	D-14	90267-48147	B-12	90467-11044	D-11
4TW-2580U-10	D-3	3YL-27222-00	D-10	240-83941-00	D-8	90179-20255	C-3	90280-04001	B-4	90467-14057	D-11
4TW-2580W-01	D-6	4TW-27264-00	D-10	240-83946-00	D-9	90179-25033	C-10	90338-06041	B-13	90468-16099	C-10
4JT-2581T-00	D-3	4JT-27411-20	D-10	4TW-83976-00	E-2	90185-08097	B-12		C-6	90480-13163	C-13
4TW-25819-00	D-6	4JT-27412-20	D-10	5KE-85501-00	D-14		D-4	90338-18266	C-7	90480-13197	C-15
2VN-2582A-50	D-8	36Y-27414-00	C-6	3YL-85821-00	E-3	90185-08162	D-4	90340-12144	B-13	90480-14023	E-3
36Y-2582A-50	D-10	4TW-27445-00	D-10	3YL-85824-00	E-3	90185-18104	C-8	90340-18101	B-13	90480-14153	C-7
3YL-2582F-00	D-8	4JT-28321-00	D-12	3LC-85850-00	E-3		D-2	90380-08192	B-2		C-9
4TW-2582W-00	D-6	4DP-28334-00	D-13	90101-10709	C-8		D-4	90383-12013	C-5	90480-14585	C-7
3YL-2583V-00	D-10	5KE-28345-00	D-12		C-9	90201-06043	D-14	90387-063E6	B-7	90480-15363	B-7
3FV-25852-00	D-8	5KE-28350-00	D-12	90105-063A0	B-2	90201-06380	E-3		E-3	90480-18276	C-7
3XP-25852-50	D-11	5KE-28356-00	D-12	90105-10300	C-6	90201-06571	B-7	90387-066N1	B-7	90480-18418	C-14
2VN-25854-00	D-11	3YL-28358-00	D-12	90105-10445	B-4	90201-08403	B-2	90387-06737	C-13	90480-20389	B-12
3FV-25854-00	D-8	4DP-2836A-00	D-12	90105-105A7	D-3	90201-08455	C-10	90387-083U8	C-14	90480-25482	B-9
2J2-25855-50	D-8	4TW-2836E-00	D-12	90109-05001	B-2	90201-08512	B-8	90387-084Y3	B-12	90501-052G5	C-4
2VN-25855-00	D-11	4DP-28362-01	D-12	90109-06028	B-13	90201-087F0	C-5	90387-124Y8	C-8	90501-230A5	B-14
2VN-25866-00	D-8	4A0-28364-00	D-12	90109-06029	B-13	90201-10118	D-10	90387-127V3	C-4	90507-20035	B-12
56A-25867-00	D-8	4TW-28371-00	D-12	90109-067E6	C-7		D-8	90387-176R1	B-5	90508-121A2	B-15
4DP-25872-01	D-8	4TW-28371-10	D-12	90109-06799	E-2	90201-10144	B-4	90387-25001	C-3	90508-231A5	C-4
4TW-25873-01	D-8	5KE-2838N-00	D-12	90109-08398	D-9	90201-12166	B-6	90401-10168	D-10	90508-29742	C-5
4TW-25874-00	D-10	4TW-28381-10	D-12	90109-084F1	B-13	90201-12175	D-9	90401-10174	D-8	90580-12075	C-5
3XV-25876-00	D-11	3YL-28386-00	D-12	90109-087F6	C-5	90201-12588	C-5	90430-06166	B-13	90580-12361	C-5
3LC-25885-00	D-10	3YL-28388-00	D-12	90110-08193	D-3	90201-127E1	B-8		B-2	91A20-05020	C-13
	D-8	240-28389-00	D-12		D-6		C-4		C-6	91A20-05065	C-13
3FV-2589A-00	D-8	1UY-81950-92	E-3	90116-08409	B-3		D-14	90430-12202	B-13	91311-06040	C-11
3FV-2589F-00	D-8	1JK-81960-A1	E-3	90116-08564	B-3	90201-127J6	C-9	90445-09251	B-7		C-12
3FV-25894-00	D-8	4TW-82100-00	E-3	90119-05239	C-7	90201-14212	D-10	90445-093H5	B-13	91311-08035	C-12
4EW-25894-00	D-11	4TW-82100-10	E-3		D-10	90201-154E8	C-4	90446-17346	D-12	91314-06020	E-9

PARTNO.	GRID NO.	PARTNO.	GRID NO.	PARTNO.	GRID NO.	PARTNO.	GRID NO.	PARTNO.	GRID NO.	PARTNO.	GRID NO.
91314-06035	B - 13	93109-12012	C - 5	93606-12019	B - 13	97007-06020	D - 10				
91317-05010	B - 15	93210-04279	B - 14	93834-14178	C - 3	97017-06020	C - 5				
	B - 2	93210-06001	B - 8	93834-15079	C - 3	97027-06020	B - 12				
91317-05012	C - 3	93210-09165	B - 14	93834-16104	C - 3	97780-40110	D - 15				
91317-05016	C - 10	93210-15620	D - 10	93900-00031	D - 2	97801-03008	C - 13				
91317-05020	D - 7		D - 8		D - 4	98507-03006	B - 9				
91317-05025	B - 8	93210-19758	B - 13	94116-1713M	D - 4	98507-04008	B - 10				
91317-06020	B - 13	93210-21190	B - 13	94131-1709C	D - 2	98507-04014	B - 10				
	C - 10	93210-22164	B - 14	94561-62110	D - 4		E - 2				
	C - 6	93210-28543	B - 13	94561-62114	D - 4	98507-05008	D - 7				
91317-06025	B - 13	93210-42482	B - 14	94661-62031	D - 4	98507-05014	B - 11				
	B - 6	93210-42728	B - 12	94702-00374	B - 2	98507-06010	B - 8				
	B - 9	93210-63442	B - 2	94709-00374	B - 2	98507-06018	D - 8				
	D - 7	93210-88696	B - 2	95026-06025	D - 8	98507-06020	E - 3				
91317-06030	B - 13	93306-00442	C - 2	95027-06012	B - 15	98511-04012	D - 10				
91317-08035	C - 12	93306-00521	D - 2		C - 6	98580-06020	D - 14				
91317-10016	C - 9		D - 4		C - 7	98907-04010	D - 12				
91318-06014	C - 4	93306-07806	D - 4	95027-06014	D - 12	98907-05008	C - 13				
91401-16012	D - 6	93306-20470	C - 3		D - 8	98907-05020	B - 2				
91401-25030	D - 13	93306-20526	C - 2	95027-06016	D - 11	98907-06010	C - 10				
91701-08038	C - 10	93306-20574	C - 3	95027-06020	D - 14	99009-12400	B - 6				
92017-06020	D - 10	93306-30316	B - 5	95027-06025	C - 6		C - 4				
92017-08020	D - 10	93306-30564	B - 4		E - 3	99009-17400	C - 4				
	D - 6	93306-30571	B - 4	95027-06030	B - 7	99009-20400	C - 2				
92017-08025	C - 10	93306-30632	B - 4		D - 12	99237-00100	C - 15				
	D - 10	93306-90105	B - 6	95027-06045	C - 6		D - 13				
92901-04600	D - 10	93306-90302	C - 4	95027-08020	C - 6	99237-00280	D - 13				
92902-04100	D - 10	93310-22057	C - 2	95027-08030	B - 12	99510-10114	B - 3				
92907-03100	B - 9	93310-31554	B - 4	95304-06700	C - 5	99530-10014	B - 13				
92907-04200	D - 12	93310-332J5	B - 14	95307-06600	B - 14						
92907-05100	D - 7	93310-52403	B - 4		C - 6						
	E - 2	93311-32261	B - 5		D - 10						
92907-05600	B - 8	93315-11206	B - 15	95307-08700	C - 6						
92907-06100	D - 9	93315-42523	C - 8	95606-06100	D - 8						
92907-06200	B - 14	93320-21507	C - 8	95607-04100	D - 12						
92907-06600	B - 12	93332-00001	C - 10	95607-06100	C - 5						
	D - 10	93332-00081	C - 10		D - 10						
92907-18200	C - 8	93342-22516	C - 8		E - 2						
93101-12126	B - 6	93420-30049	B - 5	95607-06200	B - 7						
93101-44160	B - 4	93440-08130	B - 2		D - 11						
93101-56095	B - 14	93440-25084	C - 2	95607-10200	C - 6						
93102-12224	B - 15	93450-16068	B - 4		C - 8						
93102-25438	B - 4	93515-32029	B - 14		C - 9						
93102-30243	B - 14	93603-12030	B - 8	95617-06100	D - 12						
93102-32337	C - 3	93604-08071	B - 2	95827-06010	B - 2						
93102-35030	B - 4	93604-10011	B - 6	95827-10045	C - 6						
93104-08040	B - 2		B - 8	95827-10060	C - 6						
93109-11073	B - 6	93604-26256	B - 2	97007-05020	E - 2						



ヤマハ発動機株式会社
〒438-8501 静岡県磐田市新貝2500
サービス情報室

再生紙を使用しています

379859